

Aluminum Electrolytic Capacitors

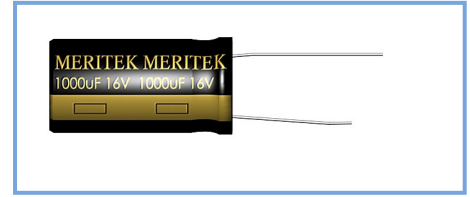


WT Series
(125°C, High Temperature)

MERITEK

FEATURES

- High reliability withstanding 2000 hours load life at 125°C.



SPECIFICATIONS

Item	Characteristic						
Operating Temp Range	- 40 ~ +125°C						
Rated Working Voltage	10 ~ 50VDC						
Capacitance Tolerance (120Hz 20°C)	± 20%(M)						
Leakage Current (20°C)	I ≤ 0.01CV or 2 (μA) * Whichever is greater after 2 minutes				I : Leakage Current (μA) C : Rated Capacitance(μF) V : Working Voltage (V)		
Surge Voltage (20°C)	W.V.	10	16	25	35	50	
	S.V.	13	20	32	44	63	
Dissipation Factor (tan δ) (120Hz 20°C)	W.V.	10	16	25	35	50	
	tan δ	0.20	0.16	0.14	0.12	0.10	
Low Temperature Stability	Impedance ratio at 120Hz						
	Rated Voltage (V)	10	16	25	35	50	
	-25°C / +20°C	3	2	2	2	2	
	-40°C / +20°C	8	6	4	4	4	
Load Life	After 2000 hours application of W.V. and +125°C ripple current value , the capacitor shall meet the following limits. (DC + ripple peak voltage ≤ rated working voltage)						
	Capacitance Change	≤ ±25% of initial.					
	Dissipation Factor	≤ 200% of initial specified value					
	Leakage Current	≤ initial specified value					
Shelf Life	At +125°C no voltage application after 1000 hours, the capacitor shall meet the limits for load life characteristics. (with voltage treatment)						

PART NUMBER SYSTEM

WT 25V 331 M TA 10x16

Meritek Series

Rated Voltage

Capacitance

Express in micro farad(μF), First two digits are significant figures, Third digit denotes number of zeros. 'R' denotes decimal point for values less than 10uF

Tolerance

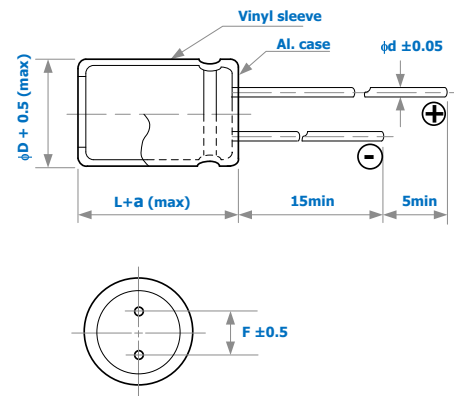
M - ±20%

Package

Code	TA	TR	Blank
	Tape & Ammo	Tape & Reel	

Case size – (D) Diameter x (L) Length in mm (Optional)

DIMENSIONS (mm)



φD	6.3	8	10	12.5
F	2.5	3.5	5.0	5.0
d	0.5	0.6	0.6	0.6
a	1.5	1.5	1.5	1.5

Aluminum Electrolytic Capacitors



WT Series
(125°C, High Temperature)

MERITEK

CASE SIZE & MAX RIPPLE CURRENT

Case size : DxL (mm)
Max. ripple current : mA(rms) 125°C 120Hz

Cap. (uF)	V Item	10		16		25	
		DxL	R.C.	DxL	R.C.	DxL	R.C.
22					→	6.3x11	70
33			→	6.3x11	75	8x11.5	110
47	6.3x11		80	6.3x11	90	8x11.5	130
100	6.3x11		120	8x11.5	170	8x11.5	230
220	8x11.5		230	10x12.5	330	10x12.5	460
330	10x12.5		360	10x12.5	400	10x16	620
470	10x12.5		430	10x16	530	10x20	820
1000	10x20		760	12.5x20	970	12.5x25	1170

Cap. (uF)	V Item	35		50	
		DxL	R.C.	DxL	R.C.
10				8x11.5	70
22	8x11.5		100	8x11.5	110
33	8x11.5		120	8x11.5	130
47	8x11.5		140	8x11.5	150
100	10x12.5		270	10x12.5	290
220	10x16		530	10x20	590
330	10x20		720	12.5x20	900
470	12.5x20		970	12.5x25	960

All blank voltage on sleeve marking is the same voltage as “→” point to.