

# Customer Information Sheet

DRAWING No.: M80-25300XX & M80-25400XX SHT 5 OF 5

IF IN DOUBT - ASK

©

NOT TO SCALE

THIRD ANGLE PROJECTION

ALL DIMENSIONS IN mm

## SPECIFICATION:

MATERIAL:  
BERYLLIUM COPPER

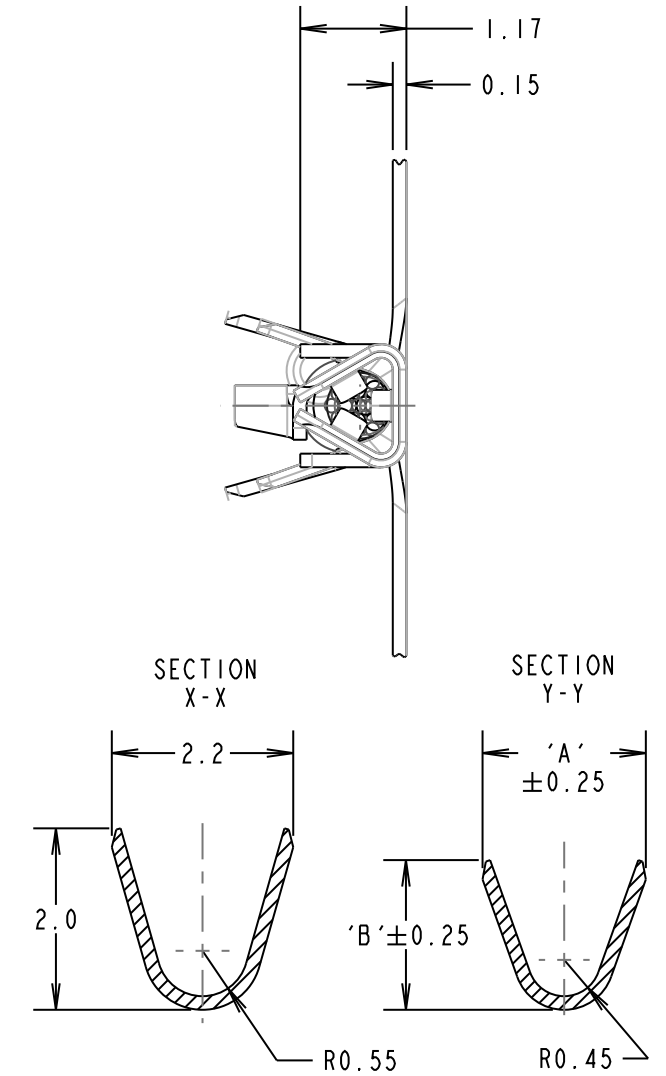
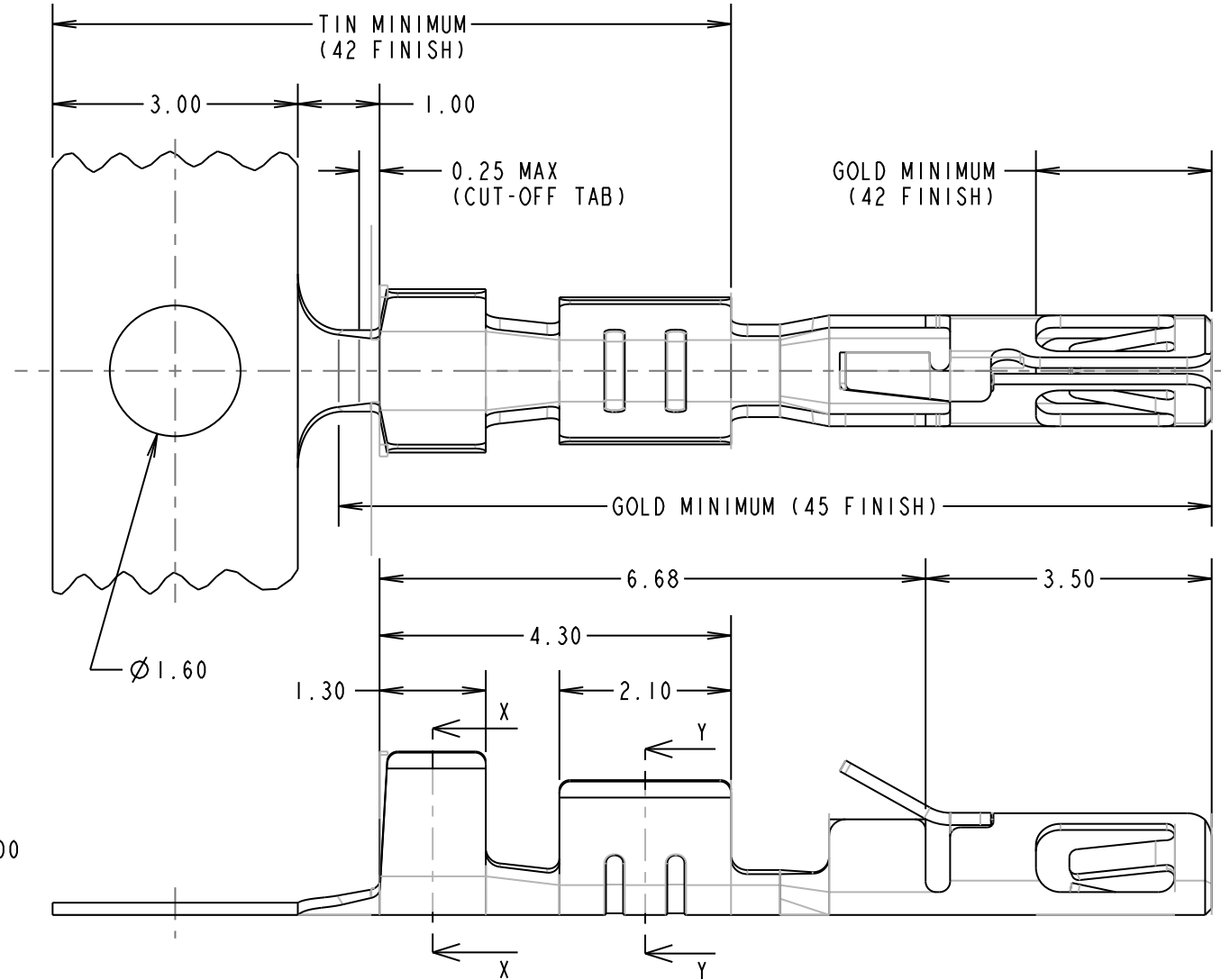
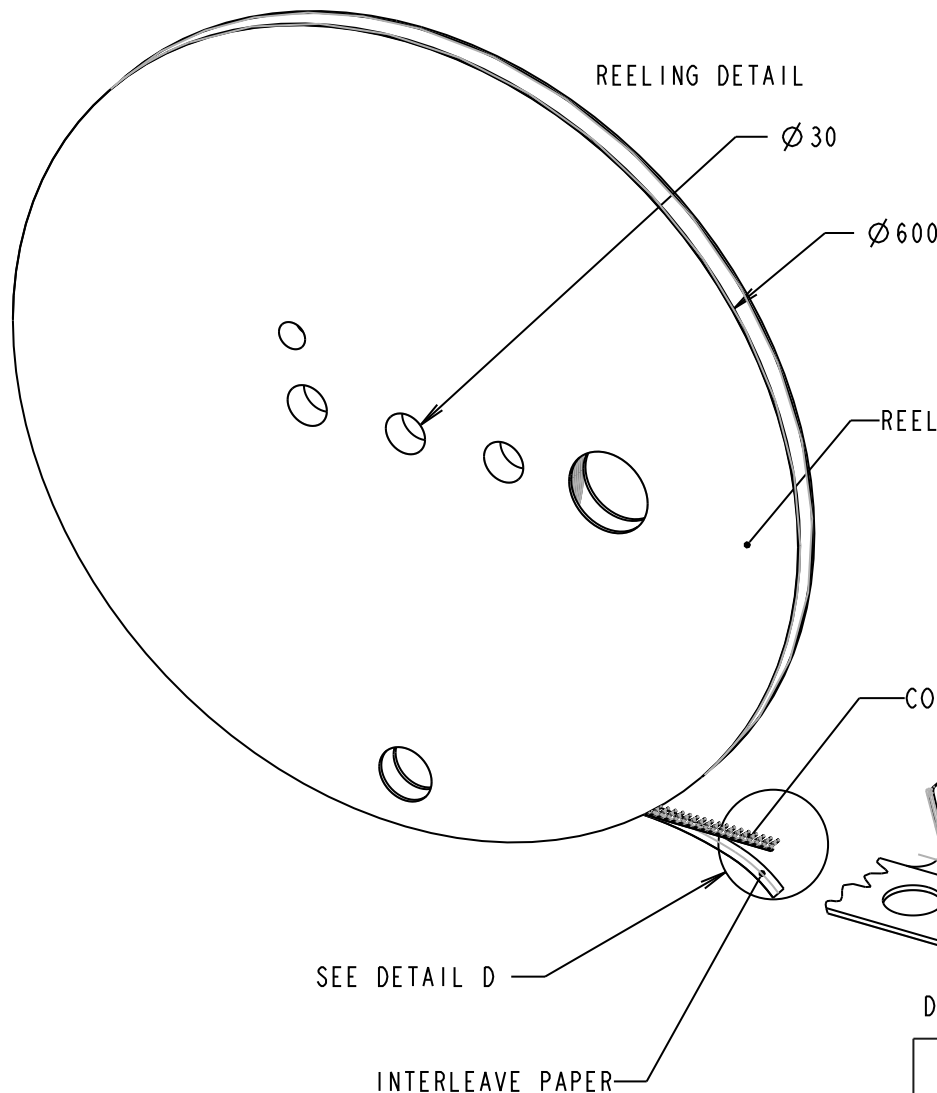
FINISH:  
45 = 0.3µ MIN GOLD, ALL OVER  
42 = 3µ MIN 100% TIN AND 0.3µ MIN GOLD, SELECTIVE PLATE  
ALL FINISHES = NICKEL UNDERPLATE

MECHANICAL:  
INSERTION FORCE = 2.8N MAX, 1.0N MIN  
WITHDRAWAL FORCE = 1.8N MAX, 0.2N MIN  
DURABILITY = 500 OPERATIONS

ENVIRONMENTAL:  
OPERATING TEMPERATURE = -55°C TO +125°C

PACKING:  
REEL (AS SHOWN), 15K/REEL

FOR COMPLETE CONNECTOR SPECIFICATION, SEE  
COMPONENT SPECIFICATION C040XX (LATEST ISSUE)



### NOTES:

- TO BE USED WITH THE FOLLOWING FEMALE HOUSING:  
M80-454XX98 = HOUSING ONLY  
M80-455XX98 = HOUSING + SLOTTED JACKSCREW  
M80-456XX98 = HOUSING + HEX SOCKET JACKSCREW  
M80-457XX98 = HOUSING + REVERSE FIX JACKSCREW  
M80-458XX98 = HOUSING + GUIDE AND BOARD MOUNT
- SUITABLE FOR PTFE INSULATED EQUIPMENT WIRE TO BS 3G 210 TYPE A, WIRE 22-28 AWG, WIRE INSULATION Ø 0.6mm-Ø 1.1mm.
- STRIP WIRE BY 2.5-3.0mm FOR CRIMPING.
- SUITABLE FOR PROCESSING WITH LEFT SIDE FEED CRIMPING PRESS.  
CONTACT [datamate@harwin.com](mailto:datamate@harwin.com) FOR DETAILS.
- CONTACTS ARE AVAILABLE LOOSE, PART NUMBER M80-28300XX FOR 24-22 AWG WIRE AND M80-28400XX FOR 28-26 AWG WIRE, SUITABLE FOR PROCESSING WITH HAND CRIMP TOOL Z80-255.

PART No.	DIMENSION	
	'A'	'B'
M80-25300XX	1.80	1.65
M80-25400XX	1.34	1.00

ORDER CODE:

M80-XXX00XX

WIRE SIZE:

253 = 24-22 AWG (0.22-0.34mm<sup>2</sup>)  
254 = 28-26 AWG (0.08-0.12mm<sup>2</sup>)

FINISH:

45 = GOLD, ALL OVER  
42 = 100% TIN & GOLD, SELECTIVE

BMK	D	19.09.08	10159
NAME	ISS.	DATE	C/NOTE
APPROVED: BMK			
CHECKED: RA			
DRAWN: B. M. KENT			
CUSTOMER REF.:			
ASSEMBLY DRG:			

## HARWIN

HARWIN USA  
TEL: 603 893 5376  
FAX: 603 893 5396  
[mis@harwin.com](mailto:mis@harwin.com)

HARWIN Europe (UK)  
TEL: 023 9231 4545  
FAX: 023 9231 4590  
[mis@harwin.co.uk](mailto:mis@harwin.co.uk)

HARWIN Asia  
TEL: +65 6 779 4909  
FAX: +65 6 779 3868  
[mis@harwin.com.sg](mailto:mis@harwin.com.sg)

THIS DRAWING AND ANY INFORMATION OR DESCRIPTIVE MATTER SET OUT HEREON ARE CONFIDENTIAL AND COPYRIGHT PROPERTY OF THE HARWIN GROUP AND MUST NOT BE DISCLOSED, LOANED, COPIED OR USED FOR MANUFACTURING, TENDERING OR FOR ANY OTHER PURPOSE WITHOUT THEIR WRITTEN PERMISSION.

TOLERANCES  
X. = ±1mm  
X.X = ±0.25mm  
X.XX = ±0.10mm  
X.XXX = ±0.01mm  
ANGLES = ±5°  
UNLESS STATED

MATERIAL:

SEE ABOVE

FINISH:

SEE ABOVE

S/AREA:

mm<sup>2</sup>

TITLE: DATAMATE TRIO-TEK  
FEMALE CRIMP CONTACT REELED  
24-22 AWG & 28-26 AWG

DRAWING NUMBER:

M80-25300XX & M80-25400XX

SHT  
5 OF 5