

PLEASE CHECK WWW.MOLEX.COM FOR LATEST PART INFORMATION

Part Number: [0022283292](#)
Status: **Active**
Description: 2.54mm (.100") Pitch KK® Header, Breakaway, Vertical, with Polarizing Wall, 29 Circuits, 0.76µm (30µ") Gold (Au) Selective Plating

Documents:

[3D Model](#) [Product Specification PS-10-07 \(PDF\)](#)
[Drawing \(PDF\)](#) [RoHS Certificate of Compliance \(PDF\)](#)
[Packaging Specification \(PDF\)](#)

Agency Certification

CSA LR19980

General

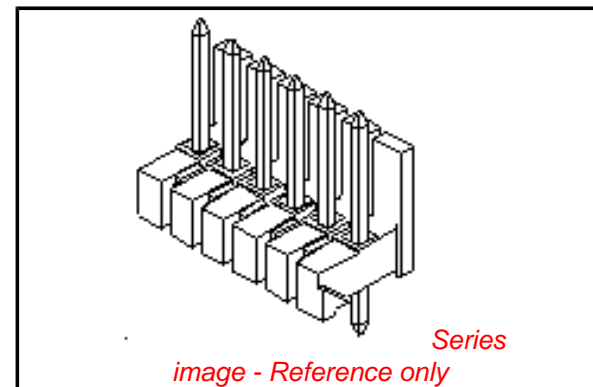
Product Family PCB Headers
 Series [42225](#)
 Application Wire-to-Board
 Product Name KK®

Physical

Breakaway Yes
 Circuits (Loaded) 29
 Circuits (maximum) 29
 Color - Resin Black
 Durability (mating cycles max) 100
 Flammability 94V-0
 Glow-Wire Compliant No
 Lock to Mating Part None
 Material - Metal Brass
 Material - Plating Mating Gold
 Material - Plating Termination Tin
 Material - Resin Nylon
 Number of Rows 1
 Orientation Vertical
 PC Tail Length (in) 0.120 In
 PC Tail Length (mm) 3.05 mm
 PCB Locator No
 PCB Retention None
 PCB Thickness Recommended (in) 0.062 In
 PCB Thickness Recommended (mm) 1.60 mm
 Packaging Type Bag
 Pitch - Mating Interface (in) 0.100 In
 Pitch - Mating Interface (mm) 2.54 mm
 Plating min: Mating (µin) 30
 Plating min: Mating (µm) 0.75
 Plating min: Termination (µin) 100
 Plating min: Termination (µm) 2.5
 Polarized to Mating Part Yes
 Polarized to PCB No
 Shrouded Partial
 Stackable No
 Temperature Range - Operating 0°C to +75°C
 Termination Interface: Style Through Hole

Electrical

Current - Maximum per Contact 4A



EU RoHS

ELV and RoHS Compliant
REACH SVHC Contains SVHC: No
Halogen-Free Status
Not Reviewed

China RoHS



Need more information on product environmental compliance?

Email productcompliance@molex.com
 For a multiple part number RoHS Certificate of Compliance, [click here](#)

Please visit the [Contact Us](#) section for any non-product compliance questions.

Search Parts in this Series

[42225Series](#)

Mates With

[2695](#) , [6471](#) , [7880](#) , [4455](#) , [7720](#)

Voltage - Maximum 250V

Solder Process Data

Duration at Max. Process Temperature (seconds) 5
Lead-free Process Capability Wave Capable (TH only)
Max. Cycles at Max. Process Temperature 1
Process Temperature max. C 235

Material Info

Old Part Number 42225-0099

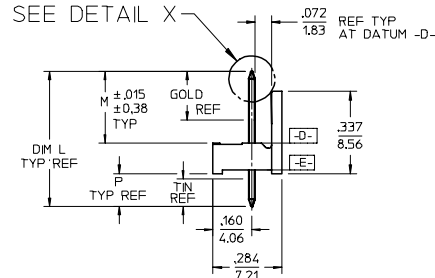
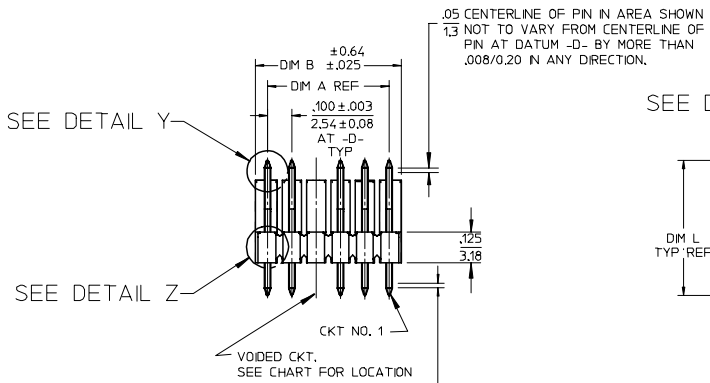
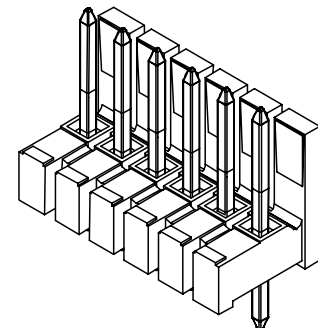
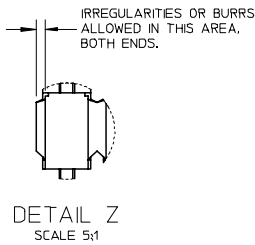
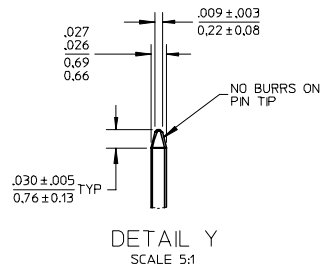
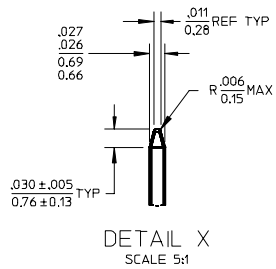
Reference - Drawing Numbers

Product Specification PS-10-07
Sales Drawing SD-42225-001

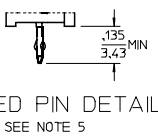
This document was generated on 04/12/2010

PLEASE CHECK WWW.MOLEX.COM FOR LATEST PART INFORMATION

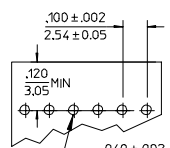
| NO. OF CKTS. | DM. A | DM. B |
|--------------|-------------|-------------|
| 2 | .100/2.54 | .200/5.08 |
| 3 | .200/5.08 | .300/7.62 |
| 4 | .300/7.62 | .400/10.16 |
| 5 | .400/10.16 | .500/12.70 |
| 6 | .500/10.16 | .600/15.24 |
| 7 | .600/15.24 | .700/17.78 |
| 8 | .700/17.78 | .800/20.32 |
| 9 | .800/20.32 | .900/22.86 |
| 10 | .900/22.86 | 1.000/25.40 |
| 11 | 1.000/25.40 | 1.100/27.94 |
| 12 | 1.100/27.94 | 1.200/30.48 |
| 13 | 1.200/30.48 | 1.300/33.02 |
| 14 | 1.300/33.02 | 1.400/35.56 |
| 15 | 1.400/35.56 | 1.500/38.10 |
| 16 | 1.500/38.10 | 1.600/40.64 |
| 17 | 1.600/40.64 | 1.700/43.18 |
| 18 | 1.700/43.18 | 1.800/45.72 |
| 19 | 1.800/45.72 | 1.900/48.26 |
| 20 | 1.900/48.26 | 2.000/50.80 |
| 21 | 2.000/50.80 | 2.100/53.34 |
| 22 | 2.100/53.34 | 2.200/55.88 |
| 23 | 2.200/55.88 | 2.300/58.42 |
| 24 | 2.300/58.42 | 2.400/60.96 |
| 25 | 2.400/60.96 | 2.500/63.50 |
| 26 | 2.500/63.50 | 2.600/66.04 |
| 27 | 2.600/66.04 | 2.700/68.58 |
| 28 | 2.700/68.58 | 2.800/71.12 |
| 29 | 2.800/71.12 | 2.900/73.66 |
| 30 | 2.900/73.66 | 3.000/76.20 |
| 31 | 3.000/76.20 | 3.100/78.74 |
| 32 | 3.100/78.74 | 3.200/81.28 |
| 33 | 3.200/81.28 | 3.300/83.82 |
| 34 | 3.300/83.82 | 3.400/86.36 |
| 35 | 3.400/86.36 | 3.500/88.90 |
| 36 | 3.500/88.90 | 3.600/91.44 |



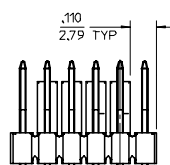
- NOTES:
- MATERIAL: GLASS FILLED NYLON, 94V-0, COLOR: BLACK
 - FINISH:
 - (154) *OVERALL TIN: .000100/0.00254 MIN. OVER .000050/0.00127 MIN NICKEL.
 - (208) SELECT GOLD: .000015/0.00038 MIN. *SELECT TIN: .000100/0.00254 MIN. OVERALL NICKEL UNDERPLATE: .000050/0.00127 MIN.
 - (228) SELECT GOLD: .000030/0.00076 MIN. *SELECT TIN: .000100/0.00254 MIN. OVERALL NICKEL UNDERPLATE: .000050/0.00127 MIN.
 - PRODUCT SPECIFICATION PS 10-07.
 - PACKAGING INFORMATION: SEE TABLES
 - KINK PIN SPECIFICATION: SEE SMES-42003
 - HEADERS ARE NOT STACKABLE ON .100/2.54 CENTERS.
 - SOLDERABILITY PER SMES-152.
 - PIN PUSH OUT FORCE: 3 LBS. MIN.



KINKED PIN DETAIL
SEE NOTE 5



RECOMMENDED PC BOARD LAYOUT



REMOVED POLARIZING WALL OPTION

| | |
|------------------------|-----------------|
| ADD DETAIL VIEWS | QUALITY SYMBOLS |
| EC NO: UCP2005-0488 | ▽=0 |
| DRWN: JLOME 2005/08/01 | ▽=0 |
| CHKD: ADERR 2005/08/04 | |
| APPR: FSWJH 2005/08/05 | |
| DESCRIPTION | |
| REV | |

| |
|---------------------------------------|
| GENERAL TOLERANCES (UNLESS SPECIFIED) |
| mm INCH |
| 4 PLACES ± --- ± --- |
| 3 PLACES ± --- ± .010 |
| 2 PLACES ± 0.25 ± .014 |
| 1 PLACE ± 0.36 ± --- |
| ANGULAR ±1/2° |

| | |
|--------------|--------------|
| DRAWN BY | DATE |
| JSCHAFFER | 2004/03/20 |
| CHECKED BY | DATE |
| KSAMIEC | 2004/03/20 |
| APPROVED BY | DATE |
| MARGULIS | 2004/03/20 |
| MATERIAL NO. | DOCUMENT NO. |
| SEE CHART | SD-4225-001 |

| | | |
|---------------------------------------|--------------|------------------------|
| SCALE | DESIGN UNITS | THIRD ANGLE PROJECTION |
| 1:1 | INCH | ☉ |
| TITLE | | |
| .100 POLARIZING BREAKAWAY HEADER ASSY | | |
| MATERIAL NO. | | |
| SEE CHART | | |
| DOCUMENT NO. | | |
| SD-4225-001 | | |

| | | | |
|--------------|--|--------------|--|
| MATERIAL NO. | | DOCUMENT NO. | |
| SEE CHART | | SD-4225-001 | |
| MATERIAL NO. | | DOCUMENT NO. | |
| SEE CHART | | SD-4225-001 | |
| SHEET NO. | | REV | |
| 1 OF 6 | | K3 | |

| | | | | | |
|--|--|--|--|--|--|
| | | | | | |
|--|--|--|--|--|--|

| A-42225-0002/0036 | | | | | |
|--------------------|-----------------|-----------------|------|-----------------|--------------|
| HEADER NUMBER: | | 41410 | | | |
| PIN NUMBER: | | 42663-AXA154 | | | |
| PIN LENGTH: L | | .540/13.72 | | | |
| MATING LENGTH: M | | .295/7.49 | | | |
| GOLD POINT: G | | N/A | | | |
| PC TAIL LENGTH: P | | .120/3.05 | | | |
| TIN: T | | OVERALL | | | |
| CKTS: | | 2-36 | | | |
| KINKS: | | NO | | | |
| REMOVED BACKWALLS: | | NO | | | |
| VOIDED CKTS: | | NONE | | | |
| PACKAGING: | | BULK 40873-0056 | | | |
| CKTS | MATERIAL NUMBER | ENG NUMBER | CKTS | MATERIAL NUMBER | ENG NUMBER |
| 02 | 22-28-3020 | A-42225-0002 | 20 | 22-28-3200 | A-42225-0020 |
| 03 | 22-28-3030 | A-42225-0003 | 21 | 22-28-3210 | A-42225-0021 |
| 04 | 22-28-3040 | A-42225-0004 | 22 | 22-28-3220 | A-42225-0022 |
| 05 | 22-28-3050 | A-42225-0005 | 23 | 22-28-3230 | A-42225-0023 |
| 06 | 22-28-3060 | A-42225-0006 | 24 | 22-28-3240 | A-42225-0024 |
| 07 | 22-28-3070 | A-42225-0007 | 25 | 22-28-3250 | A-42225-0025 |
| 08 | 22-28-3080 | A-42225-0008 | 26 | 22-28-3260 | A-42225-0026 |
| 09 | 22-28-3090 | A-42225-0009 | 27 | 22-28-3270 | A-42225-0027 |
| 10 | 22-28-3100 | A-42225-0010 | 28 | 22-28-3280 | A-42225-0028 |
| 11 | 22-28-3110 | A-42225-0011 | 29 | 22-28-3290 | A-42225-0029 |
| 12 | 22-28-3120 | A-42225-0012 | 30 | 22-28-3300 | A-42225-0030 |
| 13 | 22-28-3130 | A-42225-0013 | 31 | 22-28-3310 | A-42225-0031 |
| 14 | 22-28-3140 | A-42225-0014 | 32 | 22-28-3320 | A-42225-0032 |
| 15 | 22-28-3150 | A-42225-0015 | 33 | 22-28-3330 | A-42225-0033 |
| 16 | 22-28-3160 | A-42225-0016 | 34 | 22-28-3340 | A-42225-0034 |
| 17 | 22-28-3170 | A-42225-0017 | 35 | 22-28-3350 | A-42225-0035 |
| 18 | 22-28-3180 | A-42225-0018 | 36 | 22-28-3360 | A-42225-0036 |
| 19 | 22-28-3190 | A-42225-0019 | | | |

| A-42225-0037/0071 | | | | | |
|--------------------|-----------------|-----------------|------|-----------------|--------------|
| HEADER NUMBER: | | 41410 | | | |
| PIN NUMBER: | | 42663-AXB208 | | | |
| PIN LENGTH: L | | .540/13.72 | | | |
| MATING LENGTH: M | | .295/7.49 | | | |
| GOLD POINT: G | | .140/3.56 | | | |
| PC TAIL LENGTH: P | | .120/3.05 | | | |
| TIN: T | | .100/2.54 | | | |
| CKTS: | | 2-36 | | | |
| KINKS: | | NO | | | |
| REMOVED BACKWALLS: | | NO | | | |
| VOIDED CKTS: | | NONE | | | |
| PACKAGING: | | BULK 40873-0056 | | | |
| CKTS | MATERIAL NUMBER | ENG NUMBER | CKTS | MATERIAL NUMBER | ENG NUMBER |
| 02 | 22-28-3021 | A-42225-0037 | 20 | 22-28-3201 | A-42225-0055 |
| 03 | 22-28-3031 | A-42225-0038 | 21 | 22-28-3211 | A-42225-0056 |
| 04 | 22-28-3041 | A-42225-0039 | 22 | 22-28-3221 | A-42225-0057 |
| 05 | 22-28-3051 | A-42225-0040 | 23 | 22-28-3231 | A-42225-0058 |
| 06 | 22-28-3061 | A-42225-0041 | 24 | 22-28-3241 | A-42225-0059 |
| 07 | 22-28-3071 | A-42225-0042 | 25 | 22-28-3251 | A-42225-0060 |
| 08 | 22-28-3081 | A-42225-0043 | 26 | 22-28-3261 | A-42225-0061 |
| 09 | 22-28-3091 | A-42225-0044 | 27 | 22-28-3271 | A-42225-0062 |
| 10 | 22-28-3101 | A-42225-0045 | 28 | 22-28-3281 | A-42225-0063 |
| 11 | 22-28-3111 | A-42225-0046 | 29 | 22-28-3291 | A-42225-0064 |
| 12 | 22-28-3121 | A-42225-0047 | 30 | 22-28-3301 | A-42225-0065 |
| 13 | 22-28-3131 | A-42225-0048 | 31 | 22-28-3311 | A-42225-0066 |
| 14 | 22-28-3141 | A-42225-0049 | 32 | 22-28-3321 | A-42225-0067 |
| 15 | 22-28-3151 | A-42225-0050 | 33 | 22-28-3331 | A-42225-0068 |
| 16 | 22-28-3161 | A-42225-0051 | 34 | 22-28-3341 | A-42225-0069 |
| 17 | 22-28-3171 | A-42225-0052 | 35 | 22-28-3351 | A-42225-0070 |
| 18 | 22-28-3181 | A-42225-0053 | 36 | 22-28-3361 | A-42225-0071 |
| 19 | 22-28-3191 | A-42225-0054 | | | |

| | | | | | |
|------|----------|--------|---|-----------|--------------|
| REV: | K | TITLE: | .100 POLARIZING BREAKAWAY HEADER ASSY. | SHEET No. | - 2 - |
|------|----------|--------|---|-----------|--------------|

| | | | |
|-----------------------|------------------------------|----------------------------|-------------------------------|
| DOCUMENT NUMBER: | CREATED / REVISED BY: | CHECKED BY: | APPROVED BY: |
| SD- 42225 -001 | S. LINEHAN 03/04/2004 | K.SAMIEC 03/04/2004 | Y. MARGULIS 03/04/2004 |

| | | | | | |
|--|--|--|--|--|--|
| | | | | | |
|--|--|--|--|--|--|

| A-42225-0072/0106 | | | | | |
|--------------------|-----------------|-----------------|------|-----------------|--------------|
| HEADER NUMBER: | | 41410 | | | |
| PIN NUMBER: | | 42663-AXB228 | | | |
| PIN LENGTH: L | | .540/13.72 | | | |
| MATING LENGTH: M | | .295/7.49 | | | |
| GOLD POINT: G | | .140/3.56 | | | |
| PC TAIL LENGTH: P | | .120/3.05 | | | |
| TIN: T | | .100/2.54 | | | |
| CKTS: | | 2-36 | | | |
| KINKS: | | NO | | | |
| REMOVED BACKWALLS: | | NO | | | |
| VOIDED CKTS: | | NONE | | | |
| PACKAGING: | | BULK 40873-0056 | | | |
| CKTS | MATERIAL NUMBER | ENG NUMBER | CKTS | MATERIAL NUMBER | ENG NUMBER |
| 02 | 22-28-3022 | A-42225-0072 | 20 | 22-28-3202 | A-42225-0090 |
| 03 | 22-28-3032 | A-42225-0073 | 21 | 22-28-3212 | A-42225-0091 |
| 04 | 22-28-3042 | A-42225-0074 | 22 | 22-28-3222 | A-42225-0092 |
| 05 | 22-28-3052 | A-42225-0075 | 23 | 22-28-3232 | A-42225-0093 |
| 06 | 22-28-3062 | A-42225-0076 | 24 | 22-28-3242 | A-42225-0094 |
| 07 | 22-28-3072 | A-42225-0077 | 25 | 22-28-3252 | A-42225-0095 |
| 08 | 22-28-3082 | A-42225-0078 | 26 | 22-28-3262 | A-42225-0096 |
| 09 | 22-28-3092 | A-42225-0079 | 27 | 22-28-3272 | A-42225-0097 |
| 10 | 22-28-3102 | A-42225-0080 | 28 | 22-28-3282 | A-42225-0098 |
| 11 | 22-28-3112 | A-42225-0081 | 29 | 22-28-3292 | A-42225-0099 |
| 12 | 22-28-3122 | A-42225-0082 | 30 | 22-28-3302 | A-42225-0100 |
| 13 | 22-28-3132 | A-42225-0083 | 31 | 22-28-3312 | A-42225-0101 |
| 14 | 22-28-3142 | A-42225-0084 | 32 | 22-28-3322 | A-42225-0102 |
| 15 | 22-28-3152 | A-42225-0085 | 33 | 22-28-3332 | A-42225-0103 |
| 16 | 22-28-3162 | A-42225-0086 | 34 | 22-28-3342 | A-42225-0104 |
| 17 | 22-28-3172 | A-42225-0087 | 35 | 22-28-3352 | A-42225-0105 |
| 18 | 22-28-3182 | A-42225-0088 | 36 | 22-28-3362 | A-42225-0106 |
| 19 | 22-28-3192 | A-42225-0089 | | | |

| A-42225-0107/0141 | | | | | |
|--------------------|-----------------|-----------------|------|-----------------|--------------|
| HEADER NUMBER: | | 41410 | | | |
| PIN NUMBER: | | 42663-BAA154 | | | |
| PIN LENGTH: L | | .555/14.10 | | | |
| MATING LENGTH: M | | .295/7.49 | | | |
| GOLD POINT: G | | N/A | | | |
| PC TAIL LENGTH: P | | .135/3.43 | | | |
| TIN: T | | OVERALL | | | |
| CKTS: | | 2-36 | | | |
| KINKS: | | YES | | | |
| REMOVED BACKWALLS: | | NO | | | |
| VOIDED CKTS: | | NONE | | | |
| PACKAGING: | | BULK 40873-0056 | | | |
| CKTS | MATERIAL NUMBER | ENG NUMBER | CKTS | MATERIAL NUMBER | ENG NUMBER |
| 02 | 22-28-3023 | A-42225-0107 | 20 | 22-28-3203 | A-42225-0125 |
| 03 | 22-28-3033 | A-42225-0108 | 21 | 22-28-3213 | A-42225-0126 |
| 04 | 22-28-3043 | A-42225-0109 | 22 | 22-28-3223 | A-42225-0127 |
| 05 | 22-28-3053 | A-42225-0110 | 23 | 22-28-3233 | A-42225-0128 |
| 06 | 22-28-3063 | A-42225-0111 | 24 | 22-28-3243 | A-42225-0129 |
| 07 | 22-28-3073 | A-42225-0112 | 25 | 22-28-3253 | A-42225-0130 |
| 08 | 22-28-3083 | A-42225-0113 | 26 | 22-28-3263 | A-42225-0131 |
| 09 | 22-28-3093 | A-42225-0114 | 27 | 22-28-3273 | A-42225-0132 |
| 10 | 22-28-3103 | A-42225-0115 | 28 | 22-28-3283 | A-42225-0133 |
| 11 | 22-28-3113 | A-42225-0116 | 29 | 22-28-3293 | A-42225-0134 |
| 12 | 22-28-3123 | A-42225-0117 | 30 | 22-28-3303 | A-42225-0135 |
| 13 | 22-28-3133 | A-42225-0118 | 31 | 22-28-3313 | A-42225-0136 |
| 14 | 22-28-3143 | A-42225-0119 | 32 | 22-28-3323 | A-42225-0137 |
| 15 | 22-28-3153 | A-42225-0120 | 33 | 22-28-3333 | A-42225-0138 |
| 16 | 22-28-3163 | A-42225-0121 | 34 | 22-28-3343 | A-42225-0139 |
| 17 | 22-28-3173 | A-42225-0122 | 35 | 22-28-3353 | A-42225-0140 |
| 18 | 22-28-3183 | A-42225-0123 | 36 | 22-28-3363 | A-42225-0141 |
| 19 | 22-28-3193 | A-42225-0124 | | | |

| | | | | | |
|------|----------|--------|---|-----------|--------------|
| REV: | K | TITLE: | .100 POLARIZING BREAKAWAY HEADER ASSY. | SHEET No. | - 3 - |
|------|----------|--------|---|-----------|--------------|

| | | | |
|-----------------------|------------------------------|----------------------------|-------------------------------|
| DOCUMENT NUMBER: | CREATED / REVISED BY: | CHECKED BY: | APPROVED BY: |
| SD- 42225 -001 | S. LINEHAN 03/04/2004 | K.SAMIEC 03/04/2004 | Y. MARGULIS 03/04/2004 |

| | | | | | |
|--|--|--|--|--|--|
| | | | | | |
|--|--|--|--|--|--|

| A-42225-0142/0176 | | | | | |
|--------------------|-----------------|-----------------|------|-----------------|--------------|
| HEADER NUMBER: | | 41410 | | | |
| PIN NUMBER: | | 42663-BAB208 | | | |
| PIN LENGTH: L | | .555/14.10 | | | |
| MATING LENGTH: M | | .295/7.49 | | | |
| GOLD POINT: G | | .140/3.56 | | | |
| PC TAIL LENGTH: P | | .135/3.43 | | | |
| TIN: T | | .100/2.54 | | | |
| CKTS: | | 2-36 | | | |
| KINKS: | | YES | | | |
| REMOVED BACKWALLS: | | NO | | | |
| VOIDED CKTS: | | NONE | | | |
| PACKAGING: | | BULK 40873-0056 | | | |
| CKTS | MATERIAL NUMBER | ENG NUMBER | CKTS | MATERIAL NUMBER | ENG NUMBER |
| 02 | 22-28-3024 | A-42225-0142 | 20 | 22-28-3204 | A-42225-0160 |
| 03 | 22-28-3034 | A-42225-0143 | 21 | 22-28-3214 | A-42225-0161 |
| 04 | 22-28-3044 | A-42225-0144 | 22 | 22-28-3224 | A-42225-0162 |
| 05 | 22-28-3054 | A-42225-0145 | 23 | 22-28-3234 | A-42225-0163 |
| 06 | 22-28-3064 | A-42225-0146 | 24 | 22-28-3244 | A-42225-0164 |
| 07 | 22-28-3074 | A-42225-0147 | 25 | 22-28-3254 | A-42225-0165 |
| 08 | 22-28-3084 | A-42225-0148 | 26 | 22-28-3264 | A-42225-0166 |
| 09 | 22-28-3094 | A-42225-0149 | 27 | 22-28-3274 | A-42225-0167 |
| 10 | 22-28-3104 | A-42225-0150 | 28 | 22-28-3284 | A-42225-0168 |
| 11 | 22-28-3114 | A-42225-0151 | 29 | 22-28-3294 | A-42225-0169 |
| 12 | 22-28-3124 | A-42225-0152 | 30 | 22-28-3304 | A-42225-0170 |
| 13 | 22-28-3134 | A-42225-0153 | 31 | 22-28-3314 | A-42225-0171 |
| 14 | 22-28-3144 | A-42225-0154 | 32 | 22-28-3324 | A-42225-0172 |
| 15 | 22-28-3154 | A-42225-0155 | 33 | 22-28-3334 | A-42225-0173 |
| 16 | 22-28-3164 | A-42225-0156 | 34 | 22-28-3344 | A-42225-0174 |
| 17 | 22-28-3174 | A-42225-0157 | 35 | 22-28-3354 | A-42225-0175 |
| 18 | 22-28-3184 | A-42225-0158 | 36 | 22-28-3364 | A-42225-0176 |
| 19 | 22-28-3194 | A-42225-0159 | | | |

| A-42225-0177/0211 | | | | | |
|--------------------|-----------------|-----------------|------|-----------------|--------------|
| HEADER NUMBER: | | 41410 | | | |
| PIN NUMBER: | | 42663-BAB228 | | | |
| PIN LENGTH: L | | .555/14.10 | | | |
| MATING LENGTH: M | | .295/7.49 | | | |
| GOLD POINT: G | | .140/3.56 | | | |
| PC TAIL LENGTH: P | | .135/3.43 | | | |
| TIN: T | | .100/2.54 | | | |
| CKTS: | | 2-36 | | | |
| KINKS: | | YES | | | |
| REMOVED BACKWALLS: | | NO | | | |
| VOIDED CKTS: | | NONE | | | |
| PACKAGING: | | BULK 40873-0056 | | | |
| CKTS | MATERIAL NUMBER | ENG NUMBER | CKTS | MATERIAL NUMBER | ENG NUMBER |
| 02 | 22-28-3025 | A-42225-0177 | 20 | 22-28-3205 | A-42225-0195 |
| 03 | 22-28-3035 | A-42225-0178 | 21 | 22-28-3215 | A-42225-0196 |
| 04 | 22-28-3045 | A-42225-0179 | 22 | 22-28-3225 | A-42225-0197 |
| 05 | 22-28-3055 | A-42225-0180 | 23 | 22-28-3235 | A-42225-0198 |
| 06 | 22-28-3065 | A-42225-0181 | 24 | 22-28-3245 | A-42225-0199 |
| 07 | 22-28-3075 | A-42225-0182 | 25 | 22-28-3255 | A-42225-0200 |
| 08 | 22-28-3085 | A-42225-0183 | 26 | 22-28-3265 | A-42225-0201 |
| 09 | 22-28-3095 | A-42225-0184 | 27 | 22-28-3275 | A-42225-0202 |
| 10 | 22-28-3105 | A-42225-0185 | 28 | 22-28-3285 | A-42225-0203 |
| 11 | 22-28-3115 | A-42225-0186 | 29 | 22-28-3295 | A-42225-0204 |
| 12 | 22-28-3125 | A-42225-0187 | 30 | 22-28-3305 | A-42225-0205 |
| 13 | 22-28-3135 | A-42225-0188 | 31 | 22-28-3315 | A-42225-0206 |
| 14 | 22-28-3145 | A-42225-0189 | 32 | 22-28-3325 | A-42225-0207 |
| 15 | 22-28-3155 | A-42225-0190 | 33 | 22-28-3335 | A-42225-0208 |
| 16 | 22-28-3165 | A-42225-0191 | 34 | 22-28-3345 | A-42225-0209 |
| 17 | 22-28-3175 | A-42225-0192 | 35 | 22-28-3355 | A-42225-0210 |
| 18 | 22-28-3185 | A-42225-0193 | 36 | 22-28-3365 | A-42225-0211 |
| 19 | 22-28-3195 | A-42225-0194 | | | |

| | | | | | |
|----------|--|--------|---|--|--------------|
| REV: | | TITLE: | .100 POLARIZING BREAKAWAY HEADER ASSY. | | SHEET No. |
| K | | | | | - 4 - |

| | | | |
|-----------------------|------------------------------|----------------------------|-------------------------------|
| DOCUMENT NUMBER: | CREATED / REVISED BY: | CHECKED BY: | APPROVED BY: |
| SD- 42225 -001 | S. LINEHAN 03/04/2004 | K.SAMIEC 03/04/2004 | Y. MARGULIS 03/04/2004 |

| A-42225-0213/0246 | | | | | |
|--------------------|-----------------|-----------------|------|-----------------|--------------|
| HEADER NUMBER: | | 41410 | | | |
| PIN NUMBER: | | 42663-AXA154 | | | |
| PIN LENGTH: L | | .540/13.72 | | | |
| MATING LENGTH: M | | .295/7.49 | | | |
| GOLD POINT: G | | N/A | | | |
| PC TAIL LENGTH: P | | .120/3.05 | | | |
| TIN: T | | OVERALL | | | |
| CKTS: | | 3-36 | | | |
| KINKS: | | NO | | | |
| REMOVED BACKWALLS: | | YES | | | |
| VOIDED CKTS: | | NONE | | | |
| PACKAGING: | | BULK 40873-0056 | | | |
| CKTS | MATERIAL NUMBER | ENG NUMBER | CKTS | MATERIAL NUMBER | ENG NUMBER |
| 02 | | | 20 | 22-28-3206 | A-42225-0230 |
| 03 | 22-28-3036 | A-42225-0213 | 21 | 22-28-3216 | A-42225-0231 |
| 04 | 22-28-3046 | A-42225-0214 | 22 | 22-28-3226 | A-42225-0232 |
| 05 | 22-28-3056 | A-42225-0215 | 23 | 22-28-3236 | A-42225-0233 |
| 06 | 22-28-3066 | A-42225-0216 | 24 | 22-28-3246 | A-42225-0234 |
| 07 | 22-28-3076 | A-42225-0217 | 25 | 22-28-3256 | A-42225-0235 |
| 08 | 22-28-3086 | A-42225-0218 | 26 | 22-28-3266 | A-42225-0236 |
| 09 | 22-28-3096 | A-42225-0219 | 27 | 22-28-3276 | A-42225-0237 |
| 10 | 22-28-3106 | A-42225-0220 | 28 | 22-28-3286 | A-42225-0238 |
| 11 | 22-28-3116 | A-42225-0221 | 29 | 22-28-3296 | A-42225-0239 |
| 12 | 22-28-3126 | A-42225-0222 | 30 | 22-28-3306 | A-42225-0240 |
| 13 | 22-28-3136 | A-42225-0223 | 31 | 22-28-3316 | A-42225-0241 |
| 14 | 22-28-3146 | A-42225-0224 | 32 | 22-28-3326 | A-42225-0242 |
| 15 | 22-28-3156 | A-42225-0225 | 33 | 22-28-3336 | A-42225-0243 |
| 16 | 22-28-3166 | A-42225-0226 | 34 | 22-28-3346 | A-42225-0244 |
| 17 | 22-28-3176 | A-42225-0227 | 35 | 22-28-3356 | A-42225-0245 |
| 18 | 22-28-3186 | A-42225-0228 | 36 | 22-28-3366 | A-42225-0246 |
| 19 | 22-28-3196 | A-42225-0229 | | | |

| A-42225-0248/0281 | | | | | |
|--------------------|-----------------|-----------------|------|-----------------|--------------|
| HEADER NUMBER: | | 41410 | | | |
| PIN NUMBER: | | 42663-AXB208 | | | |
| PIN LENGTH: L | | .540/13.72 | | | |
| MATING LENGTH: M | | .295/7.49 | | | |
| GOLD POINT: G | | .140/3.56 | | | |
| PC TAIL LENGTH: P | | .120/3.05 | | | |
| TIN: T | | .135/3.43 | | | |
| CKTS: | | 3-36 | | | |
| KINKS: | | NO | | | |
| REMOVED BACKWALLS: | | YES | | | |
| VOIDED CKTS: | | NONE | | | |
| PACKAGING: | | BULK 40873-0056 | | | |
| CKTS | MATERIAL NUMBER | ENG NUMBER | CKTS | MATERIAL NUMBER | ENG NUMBER |
| 02 | | | 20 | 22-28-3207 | A-42225-0265 |
| 03 | 22-28-3037 | A-42225-0248 | 21 | 22-28-3217 | A-42225-0266 |
| 04 | 22-28-3047 | A-42225-0249 | 22 | 22-28-3227 | A-42225-0267 |
| 05 | 22-28-3057 | A-42225-0250 | 23 | 22-28-3237 | A-42225-0268 |
| 06 | 22-28-3067 | A-42225-0251 | 24 | 22-28-3247 | A-42225-0269 |
| 07 | 22-28-3077 | A-42225-0252 | 25 | 22-28-3257 | A-42225-0270 |
| 08 | 22-28-3087 | A-42225-0253 | 26 | 22-28-3267 | A-42225-0271 |
| 09 | 22-28-3097 | A-42225-0254 | 27 | 22-28-3277 | A-42225-0272 |
| 10 | 22-28-3107 | A-42225-0255 | 28 | 22-28-3287 | A-42225-0273 |
| 11 | 22-28-3117 | A-42225-0256 | 29 | 22-28-3297 | A-42225-0274 |
| 12 | 22-28-3127 | A-42225-0257 | 30 | 22-28-3307 | A-42225-0275 |
| 13 | 22-28-3137 | A-42225-0258 | 31 | 22-28-3317 | A-42225-0276 |
| 14 | 22-28-3147 | A-42225-0259 | 32 | 22-28-3327 | A-42225-0277 |
| 15 | 22-28-3157 | A-42225-0260 | 33 | 22-28-3337 | A-42225-0278 |
| 16 | 22-28-3167 | A-42225-0261 | 34 | 22-28-3347 | A-42225-0279 |
| 17 | 22-28-3177 | A-42225-0262 | 35 | 22-28-3357 | A-42225-0280 |
| 18 | 22-28-3187 | A-42225-0263 | 36 | 22-28-3367 | A-42225-0281 |
| 19 | 22-28-3197 | A-42225-0264 | | | |

| | | | | | |
|-----------------------|--|------------------------------|---|-------------------------------|--------------|
| REV: | | TITLE: | .100 POLARIZING BREAKAWAY HEADER ASSY. | | SHEET No. |
| K | | | | | - 5 - |
| DOCUMENT NUMBER: | | CREATED / REVISED BY: | CHECKED BY: | APPROVED BY: | |
| SD- 42225 -001 | | S. LINEHAN 03/04/2004 | K.SAMIEC 03/04/2004 | Y. MARGULIS 03/04/2004 | |

| | | | | | |
|--|--|--|--|--|--|
| | | | | | |
|--|--|--|--|--|--|

| A-42225-0282/0316 | | | | | |
|--------------------|-----------------|-----------------|------|-----------------|--------------|
| HEADER NUMBER: | | 41410 | | | |
| PIN NUMBER: | | 42663-AXB228 | | | |
| PIN LENGTH: L | | .540/13.72 | | | |
| MATING LENGTH: M | | .295/7.49 | | | |
| GOLD POINT: G | | .140/3.56 | | | |
| PC TAIL LENGTH: P | | .120/3.05 | | | |
| TIN: T | | .135/3.43 | | | |
| CKTS: | | 3-36 | | | |
| KINKS: | | NO | | | |
| REMOVED BACKWALLS: | | YES | | | |
| VOIDED CKTS: | | NONE | | | |
| PACKAGING: | | BULK 40873-0056 | | | |
| CKTS | MATERIAL NUMBER | ENG NUMBER | CKTS | MATERIAL NUMBER | ENG NUMBER |
| 02 | | | 20 | 22-28-3208 | A-42225-0300 |
| 03 | 22-28-3038 | A-42225-0283 | 21 | 22-28-3218 | A-42225-0301 |
| 04 | 22-28-3048 | A-42225-0284 | 22 | 22-28-3228 | A-42225-0302 |
| 05 | 22-28-3058 | A-42225-0285 | 23 | 22-28-3238 | A-42225-0303 |
| 06 | 22-28-3068 | A-42225-0286 | 24 | 22-28-3248 | A-42225-0304 |
| 07 | 22-28-3078 | A-42225-0287 | 25 | 22-28-3258 | A-42225-0305 |
| 08 | 22-28-3088 | A-42225-0288 | 26 | 22-28-3268 | A-42225-0306 |
| 09 | 22-28-3098 | A-42225-0289 | 27 | 22-28-3278 | A-42225-0307 |
| 10 | 22-28-3108 | A-42225-0290 | 28 | 22-28-3288 | A-42225-0308 |
| 11 | 22-28-3118 | A-42225-0291 | 29 | 22-28-3298 | A-42225-0309 |
| 12 | 22-28-3128 | A-42225-0292 | 30 | 22-28-3308 | A-42225-0310 |
| 13 | 22-28-3138 | A-42225-0293 | 31 | 22-28-3318 | A-42225-0311 |
| 14 | 22-28-3148 | A-42225-0294 | 32 | 22-28-3328 | A-42225-0312 |
| 15 | 22-28-3158 | A-42225-0295 | 33 | 22-28-3338 | A-42225-0313 |
| 16 | 22-28-3168 | A-42225-0296 | 34 | 22-28-3348 | A-42225-0314 |
| 17 | 22-28-3178 | A-42225-0297 | 35 | 22-28-3358 | A-42225-0315 |
| 18 | 22-28-3188 | A-42225-0298 | 36 | 22-28-3368 | A-42225-0316 |
| 19 | 22-28-3198 | A-42225-0299 | | | |

| A-42225-0488/0518 | | | | | |
|--------------------|-----------------|-----------------|------|-----------------|--------------|
| HEADER NUMBER: | | 41410 | | | |
| PIN NUMBER: | | 42663-AXA154 | | | |
| PIN LENGTH: L | | .540/13.72 | | | |
| MATING LENGTH: M | | .295/7.49 | | | |
| GOLD POINT: G | | N/A | | | |
| PC TAIL LENGTH: P | | .120/3.05 | | | |
| TIN: T | | OVERALL | | | |
| CKTS: | | 6-36 | | | |
| KINKS: | | NO | | | |
| REMOVED BACKWALLS: | | NO | | | |
| VOIDED CKTS: | | 6 | | | |
| PACKAGING: | | BULK 40873-0056 | | | |
| CKTS | MATERIAL NUMBER | ENG NUMBER | CKTS | MATERIAL NUMBER | ENG NUMBER |
| 02 | | | 20 | 42225-0502 | A-42225-0502 |
| 03 | | | 21 | 42225-0503 | A-42225-0503 |
| 04 | | | 22 | 42225-0504 | A-42225-0504 |
| 05 | | | 23 | 42225-0505 | A-42225-0505 |
| 06 | 42225-0488 | A-42225-0488 | 24 | 42225-0506 | A-42225-0506 |
| 07 | 42225-0489 | A-42225-0489 | 25 | 42225-0507 | A-42225-0507 |
| 08 | 42225-0490 | A-42225-0490 | 26 | 42225-0508 | A-42225-0508 |
| 09 | 42225-0491 | A-42225-0491 | 27 | 42225-0509 | A-42225-0509 |
| 10 | 42225-0492 | A-42225-0492 | 28 | 42225-0510 | A-42225-0510 |
| 11 | 42225-0493 | A-42225-0493 | 29 | 42225-0511 | A-42225-0511 |
| 12 | 42225-0494 | A-42225-0494 | 30 | 42225-0512 | A-42225-0512 |
| 13 | 42225-0495 | A-42225-0495 | 31 | 42225-0513 | A-42225-0513 |
| 14 | 42225-0496 | A-42225-0496 | 32 | 42225-0514 | A-42225-0514 |
| 15 | 42225-0497 | A-42225-0497 | 33 | 42225-0515 | A-42225-0515 |
| 16 | 42225-0498 | A-42225-0498 | 34 | 42225-0516 | A-42225-0516 |
| 17 | 42225-0499 | A-42225-0499 | 35 | 42225-0517 | A-42225-0517 |
| 18 | 42225-0500 | A-42225-0500 | 36 | 42225-0518 | A-42225-0518 |
| 19 | 42225-0501 | A-42225-0501 | | | |

| | | | | | |
|----------|--|--------|---|--|--------------|
| REV: | | TITLE: | .100 POLARIZING BREAKAWAY HEADER ASSY. | | SHEET No. |
| K | | | | | - 6 - |

| | | | |
|-----------------------|------------------------------|----------------------------|-------------------------------|
| DOCUMENT NUMBER: | CREATED / REVISED BY: | CHECKED BY: | APPROVED BY: |
| SD- 42225 -001 | S. LINEHAN 03/04/2004 | K.SAMIEC 03/04/2004 | Y. MARGULIS 03/04/2004 |