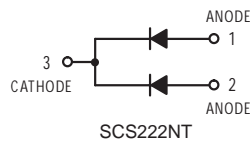


RoHS Compliant Product  
A suffix of "-C" specifies halogen & lead-free

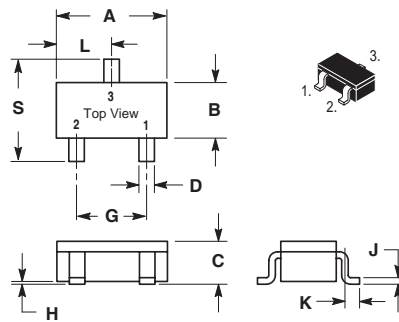
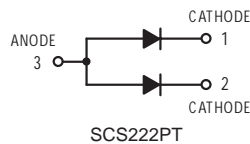
## FEATURES

- Four types of packaging are available
- High speed. ( $t_{rr}=1.5ns$  Typ.)
- Suitable for high packing density layout
- High reliability.

### SCS222NT MARKING: N



### SCS222PT MARKING: P



SOT-523		
Dim	Min	Max
A	1.50	1.70
B	0.78	0.82
C	0.80	0.82
D	0.28	0.32
G	0.90	1.10
H	0.00	0.10
J	0.10	0.20
K	0.35	0.41
L	0.49	0.51
S	1.50	1.70
All Dimension in mm		

## MAXIMUM RATINGS AND ELECTRICAL CHARACTERISTICS

(Single diode, rating 25°C ambient temperature unless otherwise specified)

TYPE NUMBER	SYMBOL	VALUES	UNITS
Peak Reverse Voltage	$V_{RM}$	80	V
DC Reverse Voltage	$V_R$		
Forward Continuous Current	$I_{FM}$	300	mA
Average Forward Current	$I_O$	100	mA
Power Dissipation	$P_D$	150	mW
Junction & Storage Temperature	$T_J, T_{STG}$	150, -55~150	°C

## ELECTRICAL CHARACTERISTICS

(Rating 25°C ambient temperature unless otherwise specified)

PARAMETERS	SYMBOL	TEST CONDITIONS	MIN	MAX	UNITS
Reverse Breakdown Voltage	$V_{(BR)}$	$I_R=100\mu A$	80		V
Reverse Voltage Leakage Current	$I_R$	$V_R=70V$	-	0.1	$\mu A$
Forward Voltage	$V_F$	$I_F=100mA$	-	1.2	V
Diode Capacitance	$C_D$	$V_R=0, f=1MHz$	-	3.5	pF
Reveres Recovery Time	$t_{rr}$	$V_R=6V, I_F=I_R=5mA$	-	4	nS

**RATINGS AND CHARACTERISTIC CURVES**

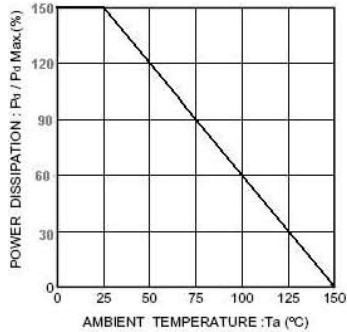


Fig.1 Power attenuation curve

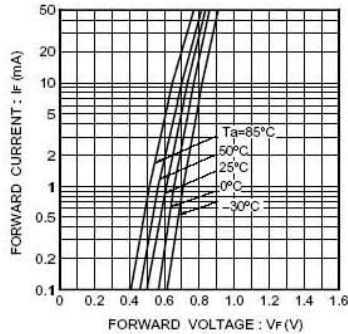


Fig.2 Forward characteristics (P Type)

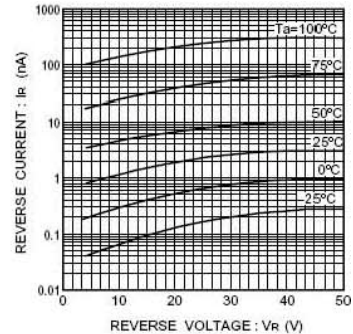


Fig.3 Reverse characteristics (P Type)

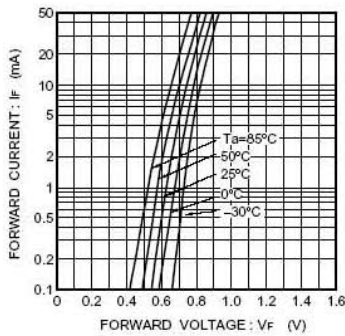


Fig.4 Forward characteristics (N Type)

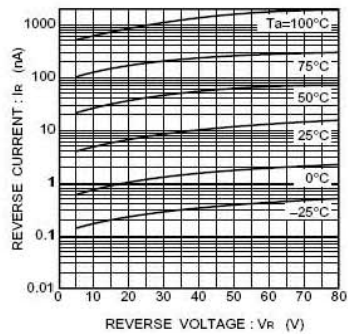


Fig.5 Reverse characteristics (N Type)

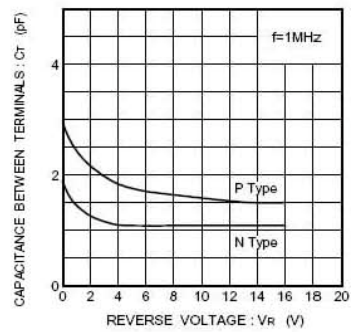


Fig.6 Capacitance between terminals characteristics

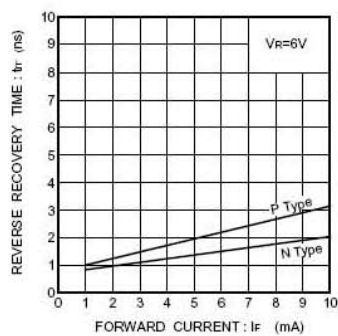


Fig.7 Reverse recovery time

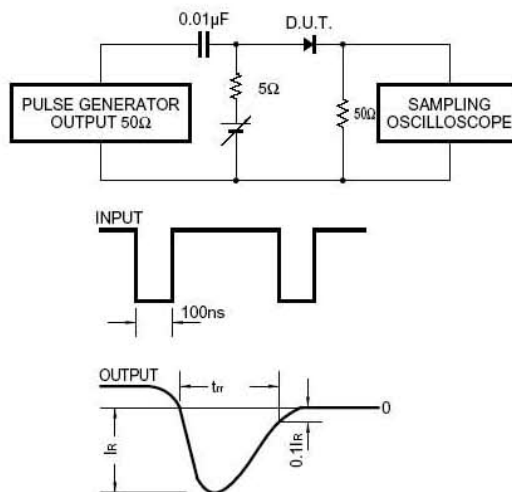


Fig.8 Reverse recovery time ( $t_r$ ) measurement circuit