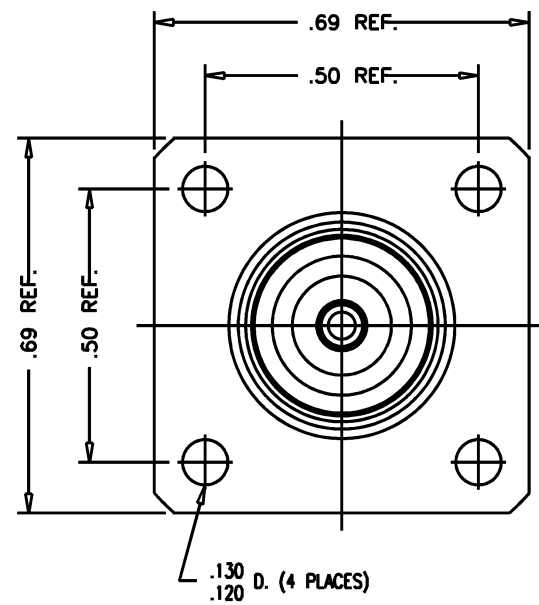
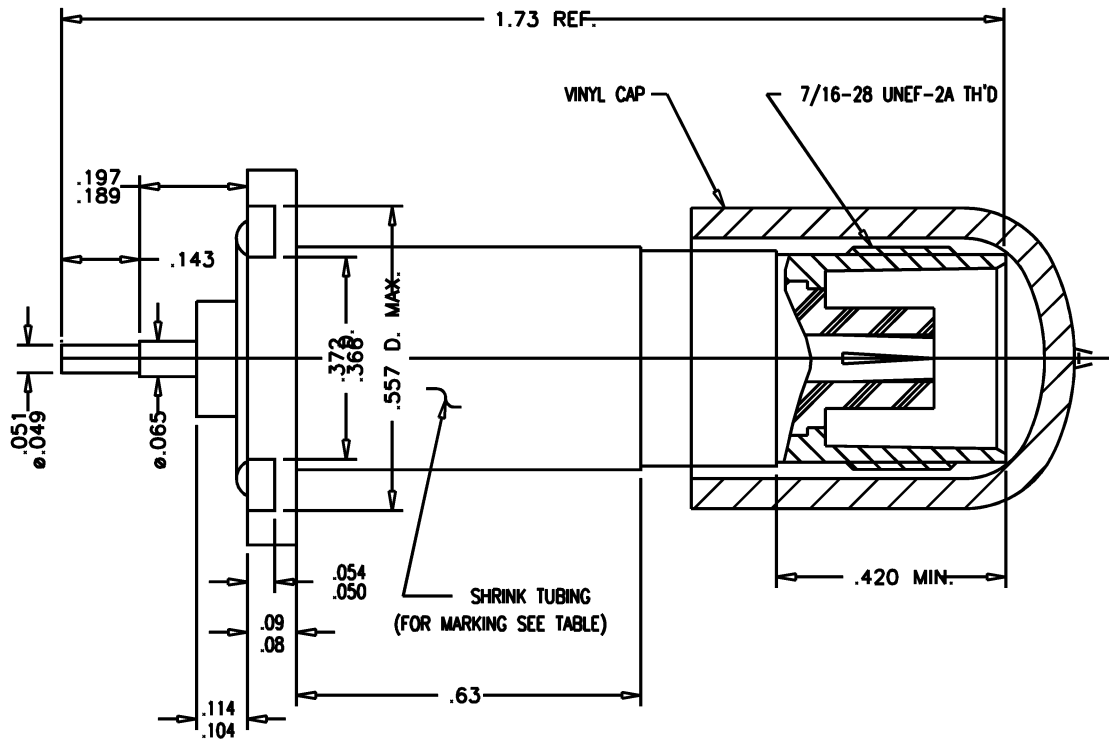


DASH NO.	M CODE	MADE FROM
----------	--------	-----------

GSD



127-41-*

REVISIONS	
ISSUE	CHANGES
0	ER 39351 TML 10/28/05
1	CN 39716 A DCT 11/27/6

- NOTES:
- INTERFACE TO BE IN ACCORDANCE WITH MIL-STD-348 FIG. 313-2.
 - MATERIALS:
INSULATOR-TEFLON, ASTM-D-4894
CENTER CONTACT-BER. COP., ASTM-B-196
O-RING-SILICONE RUBBER, ZZ-R-765
SHRINK TUBING-POLYOLEFIN PER MIL-I-23053/5
BODY-BRASS, ASTM-B16
 - FINISHES:
CENTER CONTACT-GOLD PLATE PER MIL-G-45204
BODY-KINGS TARNISH RESISTANT FINISH (TR-5)
 - ELECTRICAL CHARACTERISTICS:
NOMINAL IMPEDANCE-50 OHMS
FREQUENCY RANGE-DC TO 1.10 GHZ
WORKING VOLTAGE-500 VOLTS RMS
VSWR: 1.07 MAX.

KINGS P/N	CODE	MARKING
127-41-1	J1	J1
127-41-2	J2	J2
127-41-3	J3	J3
127-41-4	J4	J4

SCALE 4:1	
APPROX SURFACE AREA	
EQR997, 1112	
USED ON 127-41	
REF: CHELTON DWG. NO. 8013-0852 REV. NEXT	
RECEPTACLE, PANEL, TNC	
DRAWN TML	DATE 10/26/05
DESIGN TML	DATE 10/26/05
APPR.	DATE

KINGS
ELECTRONICS CO., INC.
ROCK HILL, SOUTH CAROLINA 29730

GSD

127-41-*