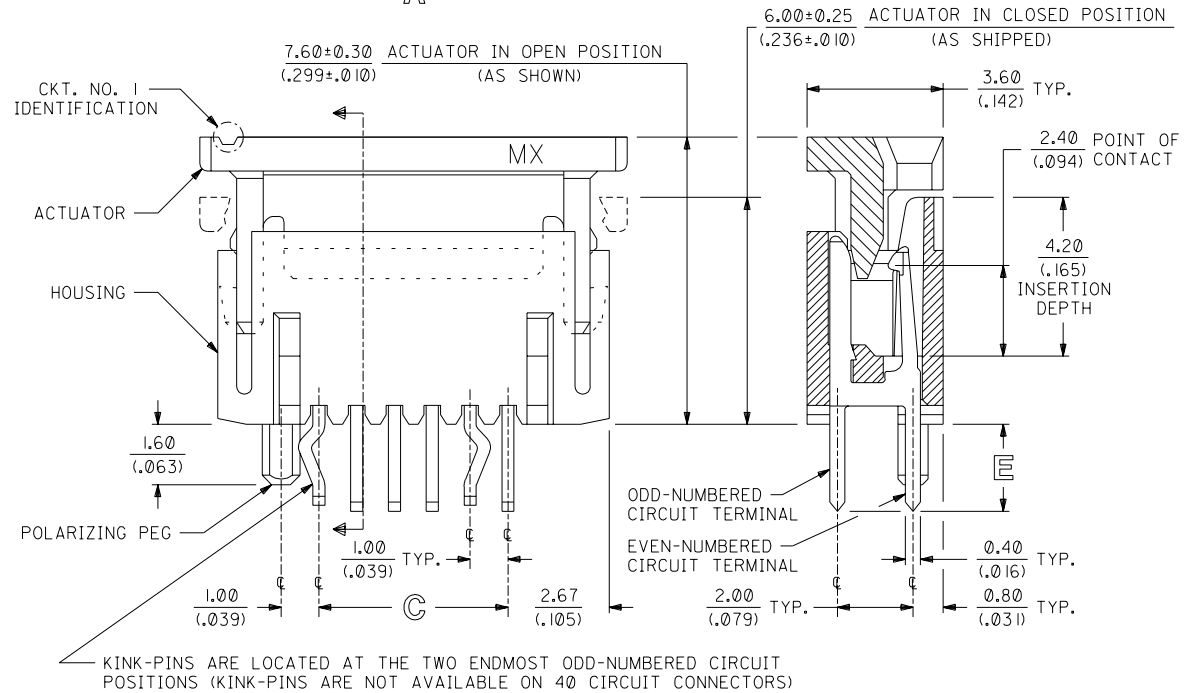
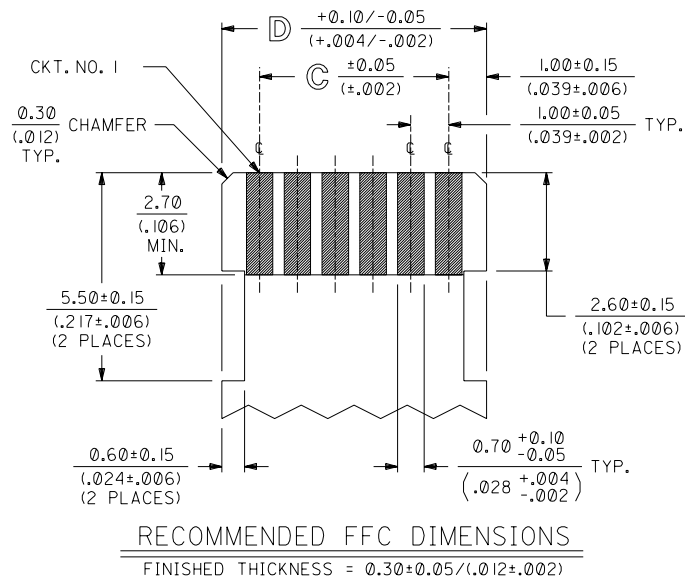
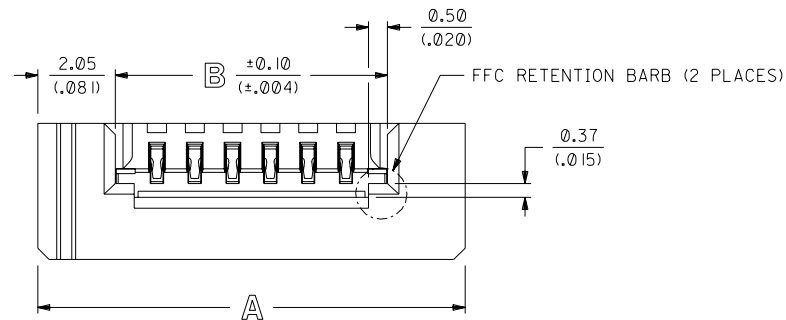


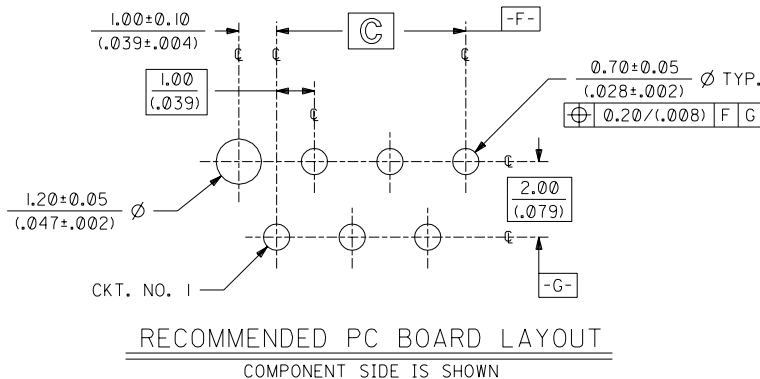
NOTES:

- CONNECTOR MATERIALS:
HOUSING IS MADE OF NYLON (COLOR IS NATURAL) AND ACTUATOR IS MADE OF LCP [LIQUID CRYSTAL POLYMER] (COLOR IS GREEN), BOTH ARE GLASS-FILLED AND RATED U.L. 94V-0; TERMINALS ARE 0.32/(.013) THICK PHOSPHOR BRONZE.
- TERMINAL FINISH:
5.0 MICROMETERS/200 MICRONS MINIMUM TIN OVER 1.3 MICROMETERS/ 50 MICRONS MINIMUM NICKEL UNDEPLATE OVERALL.
- THIS CONNECTOR CONFORMS TO PRODUCT SPECIFICATION PS-71226.
- SEE SHEET 2 FOR CONNECTOR PART NUMBERS, PACKAGING OPTIONS, AND DIMENSIONS NOT SHOWN BELOW.
- DRAWING IS DIMENSIONED METRIC/(INCHES); ALL UNTOLERANCED DIMENSIONS ARE SHOWN FOR REFERENCE ONLY.
- PART IS DESIGNED IN METRIC; DIMENSIONS IN INCHES ARE SHOWN FOR REFERENCE ONLY.



NOTE FOR LEAD FREE CONVERSION:

THE PRIMARY SHIPPING CARTON WILL BE LABELED "COMPLIANT TO ROHS DIRECTIVE 2002/95/EC AND ELV ANNEX II OF DIRECTIVE 2000/53/EC". CARTONS WITHOUT THIS LABEL MAY CONTAIN PRODUCT WITH LEAD.



LTR. REVISIONS		LTR. REVISIONS		LTR. REVISIONS		DRWG. BY: GLT	CHK'D. BY: CAB	SCALE: 10 : 1	FILE NAME: SD71226.DGN	THIS DRAWING CONTAINS INFORMATION THAT IS PROPRIETARY TO MOLEX INC. AND SHOULD NOT BE USED WITHOUT WRITTEN PERMISSION.	DIV. SIZE: CPP
C2	ADD CKT. NO. 1 NOTE ECN #UDT1999-0014 07/08/98 LMCGRATH	B	ADDED PARTS/TUBES PER ECN. #U7-0373 TOMCZAK 96/10/11	DIMENSIONS SHOWN (METRIC) INCH UNLESS OTHERWISE SPECIFIED TOLERANCES: ANGULAR ± 1/2°		3 PLACE ± .005		INCH ± .013		MFG. SH. REV. 2 D, 1 E	
E	LEAD FREE CONV ECN UCP2004-2092 RKADAMS 04/04/22	C1	ADD PKG SPEC ECN #UDT1998-0299 05/26/98 LMCGRATH	A1	ADDED 40 CIRCUIT PER ECN. #U5-0231 10/10/94 GLT	2 PLACE ± .005		± .013		REVISE ONLY ON CAD SYSTEM	
D	DELETE TUBE PKG UCP2003-1972 RWHITE 03/03/17	C	ADDED TOL. & BASIC BOXES PER EC # J81224 J. LONG 97/11/20	A	REDRAWN & REVISED PER ECN. #U3-0192 02/10/93 GLT	1 PLACE ± .005		± .013		TITLE: 1.00mm/(.039) PITCH, ZIF, FFC CONNECTOR WITH POLARIZING PEG AND FFC RETENTION BARBS	
LTR. REVISIONS			LTR. REVISIONS			DRAWING INFORMATION			PART NO. SD-71226-***3		
LTR. REVISIONS			LTR. REVISIONS			DRAWING INFORMATION			SHEET NO. 1 OF 2		
LTR. REVISIONS			LTR. REVISIONS			DRAWING INFORMATION			DATE 12/11/92		

PACKAGED IN TRAYS PER PK-70873-0246

CKT SIZE	ITEM NUMBER	X=NOT TOOLED	DIM A	DIM B	DIM C	DIM D	DIM E
4	71226-0423		9.30/(.366)	5.20/(.205)	3.00/(.118)	5.00/(.197)	2.25±0.20 (.089±.008)
6	71226-0623		11.30/(.445)	7.20/(.283)	5.00/(.197)	7.00/(.276)	
8	71226-0823		13.30/(.524)	9.20/(.362)	7.00/(.276)	9.00/(.354)	
10	71226-1023		15.30/(.602)	11.20/(.441)	9.00/(.354)	11.00/(.433)	
12	71226-1223		17.30/(.681)	13.20/(.520)	11.00/(.433)	13.00/(.512)	
14	71226-1423		19.30/(.760)	15.20/(.598)	13.00/(.512)	15.00/(.591)	
16	71226-1623		21.30/(.839)	17.20/(.677)	15.00/(.591)	17.00/(.669)	
18	71226-1823		23.30/(.917)	19.20/(.756)	17.00/(.669)	19.00/(.748)	
20	71226-2023		25.30/(.996)	21.20/(.835)	19.00/(.748)	21.00/(.827)	
22	71226-2223		27.30/(1.075)	23.20/(.913)	21.00/(.827)	23.00/(.906)	
24	71226-2423		29.30/(1.154)	25.20/(.992)	23.00/(.906)	25.00/(.984)	
26	71226-2623		31.30/(1.232)	27.20/(1.071)	25.00/(.984)	27.00/(1.063)	
28	71226-2823		33.30/(1.311)	29.20/(1.150)	27.00/(1.063)	29.00/(1.142)	
30	71226-3023		35.30/(1.390)	31.20/(1.228)	29.00/(1.142)	31.00/(1.220)	
40	71226-4023	X	45.30/(1.783)	41.20/(1.622)	39.00/(1.536)	41.00/(1.614)	
4	71226-0433		9.30/(.366)	5.20/(.205)	3.00/(.118)	5.00/(.197)	3.15±0.20 (.124±.008)
6	71226-0633		11.30/(.445)	7.20/(.283)	5.00/(.197)	7.00/(.276)	
8	71226-0833		13.30/(.524)	9.20/(.362)	7.00/(.276)	9.00/(.354)	
10	71226-1033		15.30/(.602)	11.20/(.441)	9.00/(.354)	11.00/(.433)	
12	71226-1233		17.30/(.681)	13.20/(.520)	11.00/(.433)	13.00/(.512)	
14	71226-1433		19.30/(.760)	15.20/(.598)	13.00/(.512)	15.00/(.591)	
16	71226-1633		21.30/(.839)	17.20/(.677)	15.00/(.591)	17.00/(.669)	
18	71226-1833		23.30/(.917)	19.20/(.756)	17.00/(.669)	19.00/(.748)	
20	71226-2033		25.30/(.996)	21.20/(.835)	19.00/(.748)	21.00/(.827)	
22	71226-2233		27.30/(1.075)	23.20/(.913)	21.00/(.827)	23.00/(.906)	
24	71226-2433		29.30/(1.154)	25.20/(.992)	23.00/(.906)	25.00/(.984)	
26	71226-2633		31.30/(1.232)	27.20/(1.071)	25.00/(.984)	27.00/(1.063)	
28	71226-2833		33.30/(1.311)	29.20/(1.150)	27.00/(1.063)	29.00/(1.142)	
30	71226-3033		35.30/(1.390)	31.20/(1.228)	29.00/(1.142)	31.00/(1.220)	
40	71226-4033	X	45.30/(1.783)	41.20/(1.622)	39.00/(1.536)	41.00/(1.614)	

71226

D		SEE SHEET I	AI	SEE SHEET I
CI		SEE SHEET I	A	SEE SHEET I
LTR.	REVISIONS	LTR.	REVISIONS	

DIMENSIONS SHOWN (METRIC) INCH		UNLESS OTHERWISE SPECIFIED TOLERANCES: ANGULAR ± 1/2°	
5 PLACE	±	INCH	METRIC
2 PLACE	±	—	±
1 PLACE	—	—	±
DRAFT WHERE APPLICABLE MUST REMAIN WITHIN DIMENSIONS			
DRWG. BY	GLT	CHK'D. BY	CAB
APP'D. BY	CAB	SCALE	:

□ = 0	▼ = 0	REVISE ONLY ON CAD SYSTEM
TITLE: 1.00mm/(.039) PITCH, ZIF, FFC CONNECTOR WITH POLARIZING PEG AND FFC RETENTION BARBS		
FROM: MOLEX INCORPORATED	SHEET NO. 2	DATE 12/11/92
U.S.A.		
PART NO. SEE CHART	DRWG. NO. SD-71226-***3	
FILE NAME SD7122602 DGN	THIS DRAWING CONTAINS INFORMATION THAT IS PROPRIETARY TO MOLEX INC. AND SHOULD NOT BE USED WITHOUT WRITTEN PERMISSION.	DIV. CPP

MFG, SH, REV.

A