



Isolated Ground 75 Ohm N Female to N Female Bulkhead Adapter

TECHNICAL DATA SHEET

PE9417

Isolated Ground 75 Ohm N Female to N Female Bulkhead Adapter
Configuration

Connector 1	N Female
Impedance 1	75 Ohms
Connector 2	N Female
Impedance 2	75 Ohms
Adapter Design	Standard
Body Style	Straight
Mount Method	Bulkhead
Isolated Ground / Hermetic	Isolated Ground

Mechanical Specifications
Temperature

Operating Range, deg C	-65 to +165
------------------------	-------------

Size

Length, in [mm]	1.75 [44.45]
Width/Dia., in [mm]	0.8 [20.32]

Connector 1

Type	N Female
Inner Conductor Material and Plating	Silver
Inner Conductor Plating Specification	QQ-S-365
Body Material and Plating	Brass, Nickel
Dielectric Type	Teflon

Connector 2

Type	N Female
Inner Conductor Material and Plating	Silver
Inner Conductor Plating Specification	QQ-S-365
Body Material and Plating	Brass, Nickel
Dielectric Type	Teflon

Compliance Certifications (visit www.Pasternack.com for current document)

RoHS Compliant	Yes
----------------	-----

Plotted and Other Data

Notes:	Values at 25 °C, sea level
--------	----------------------------

 URL: <http://www.pasternack.com/n-female-n-female-straight-adapter-pe9417-p.aspx>

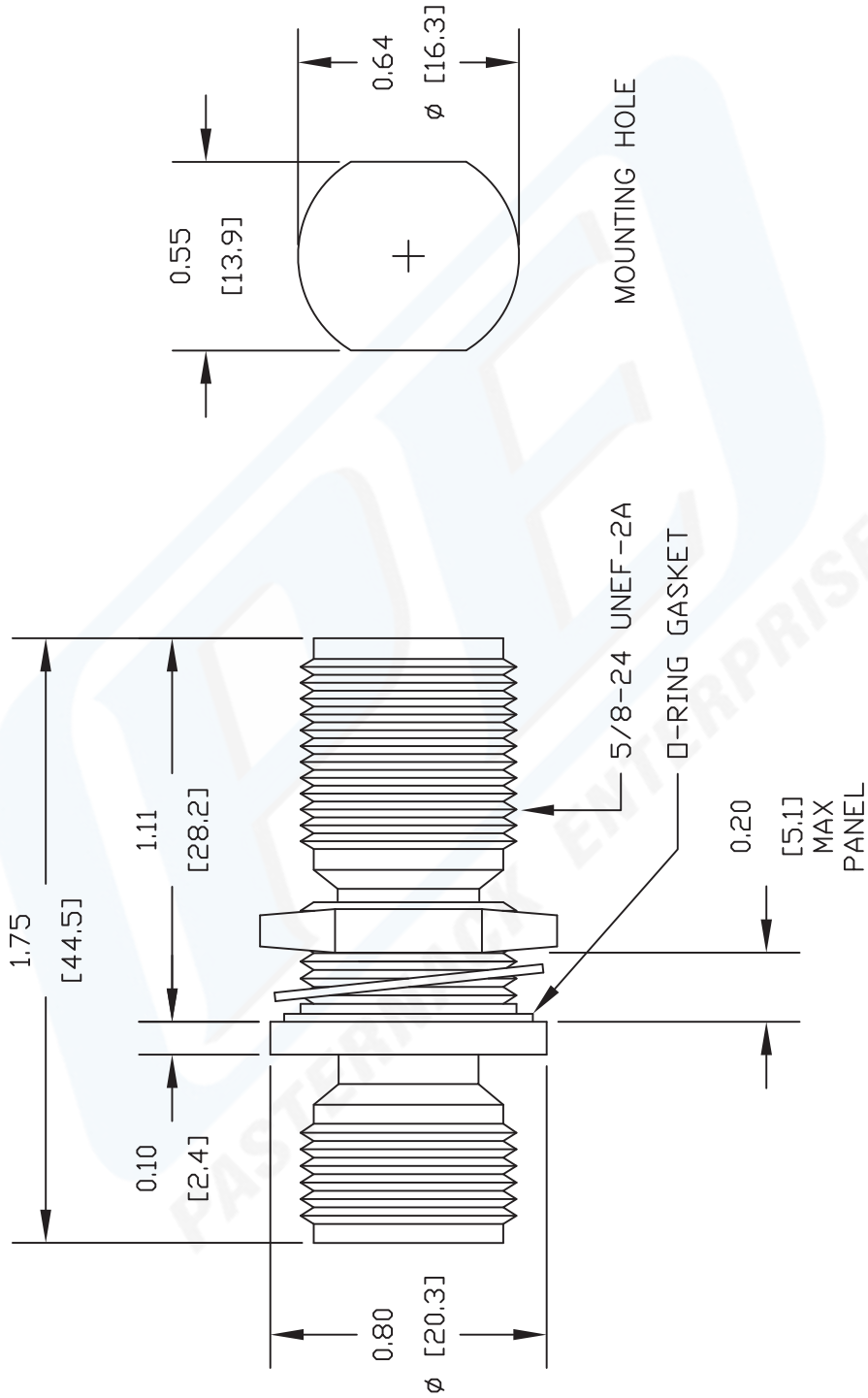
Isolated Ground 75 Ohm N Female to N Female Bulkhead Adapter from Pasternack Enterprises has same day shipment for domestic and International orders. Our RF, microwave and fiber optic products maintain a 99% availability and are part of the broadest selection in the industry.

The information contained in this document is accurate to the best of our knowledge and representative of the part described herein. It may be necessary to make modifications to the part and/or the documentation of the part, in order to implement improvements. Pasternack reserves the right to make such changes as required. Unless otherwise stated, all specifications are nominal.



PE9417 CAD Drawing

Isolated Ground 75 Ohm N Female to N Female Bulkhead Adapter



DWG TITLE

PE9417

NOTES:
 1. UNLESS OTHERWISE SPECIFIED ALL DIMENSIONS ARE NOMINAL.
 2. ALL SPECIFICATIONS ARE SUBJECT TO CHANGE WITHOUT NOTICE AT ANY TIME.
 3. DIMENSIONS ARE IN INCHES [mm].

PASTERNAK ENTERPRISES, INC.
 P O BOX 16759, IRVINE, CA 92623
 PHONE (949) 261-1920 FAX (949) 261-7451
 WEB ADDRESS: www.pasternack.com
 E-MAIL ADDRESS: sales@pasternack.com
COAXIAL & FIBER OPTICS



REV. A

FSCM NO. 53919

CAD FILE 041111

SCALE N/A

SIZE A

127