



TECHNICAL DATA SHEET

PE9702

SMA Male to FME Plug Adapter

Configuration

Connector 1	SMA Male
Impedance 1	50 Ohms
Connector 2	FME Plug
Impedance 2	50 Ohms
Adapter Design	Standard
Body Style	Straight

Mechanical Specifications

Size

Length, in [mm]	0.93 [23.62]
Width/Dia., in [mm]	0.375 [9.53]

Connector 1

Type	SMA Male
Inner Conductor Material and Plating	Brass
Coupling Nut Material and Plating	Brass
Body Material and Plating	Brass

Connector 2

Type	FME Plug
Inner Conductor Material and Plating	Brass
Body Material and Plating	Brass

Compliance Certifications (visit www.Pasternack.com for current document)

RoHS Compliant	Yes
----------------	-----

Plotted and Other Data

Notes: Values at 25 °C, sea level

URL: <http://www.pasternack.com/sma-male-fme-plug-straight-adapter-pe9702-p.aspx>

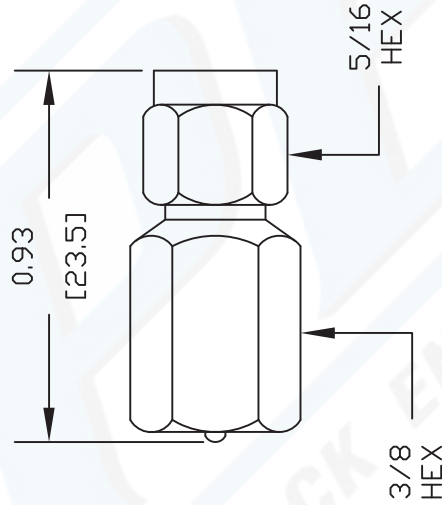
SMA Male to FME Plug Adapter from Pasternack Enterprises has same day shipment for domestic and International orders. Our RF, microwave and fiber optic products maintain a 99% availability and are part of the broadest selection in the industry.

The information contained in this document is accurate to the best of our knowledge and representative of the part described herein. It may be necessary to make modifications to the part and/or the documentation of the part, in order to implement improvements. Pasternack reserves the right to make such changes as required. Unless otherwise stated, all specifications are nominal.



PE9702 CAD Drawing

SMA Male to FME Plug Adapter



NOTES:
 1. UNLESS OTHERWISE SPECIFIED ALL DIMENSIONS ARE NOMINAL.
 2. ALL SPECIFICATIONS ARE SUBJECT TO CHANGE WITHOUT NOTICE AT ANY TIME.
 3. DIMENSIONS ARE IN INCHES [mm].

DWG TITLE
PE9702

PASTERNAK ENTERPRISES, INC.
 P O BOX 16759, IRVINE, CA 92623
 PHONE (949) 261-1920 FAX (949) 261-7451
 WEB ADDRESS: www.pasternack.com
 E-MAIL ADDRESS: sales@pasternack.com
COAXIAL & FIBER OPTICS



REV. -	FSCM NO. 53919	CAD FILE 101502	SCALE N/A	SIZE A	127
--------	----------------	-----------------	-----------	--------	-----