

Clamps for SL-versions, $\varnothing D = 25, 30, 35$ and 40 mm

To facilitate vertical mounting, a series of rigid clamps made of zinc plated steel are available.

The clamps have two mounting lugs, may be easily slipped over the capacitor and then clamped with a nut and bolt.

Four types of clamps are available, one for each case diameter.

They are delivered without nuts or bolts.

To avoid damaging the insulation sleeve, do not overtighten the clamp screw.

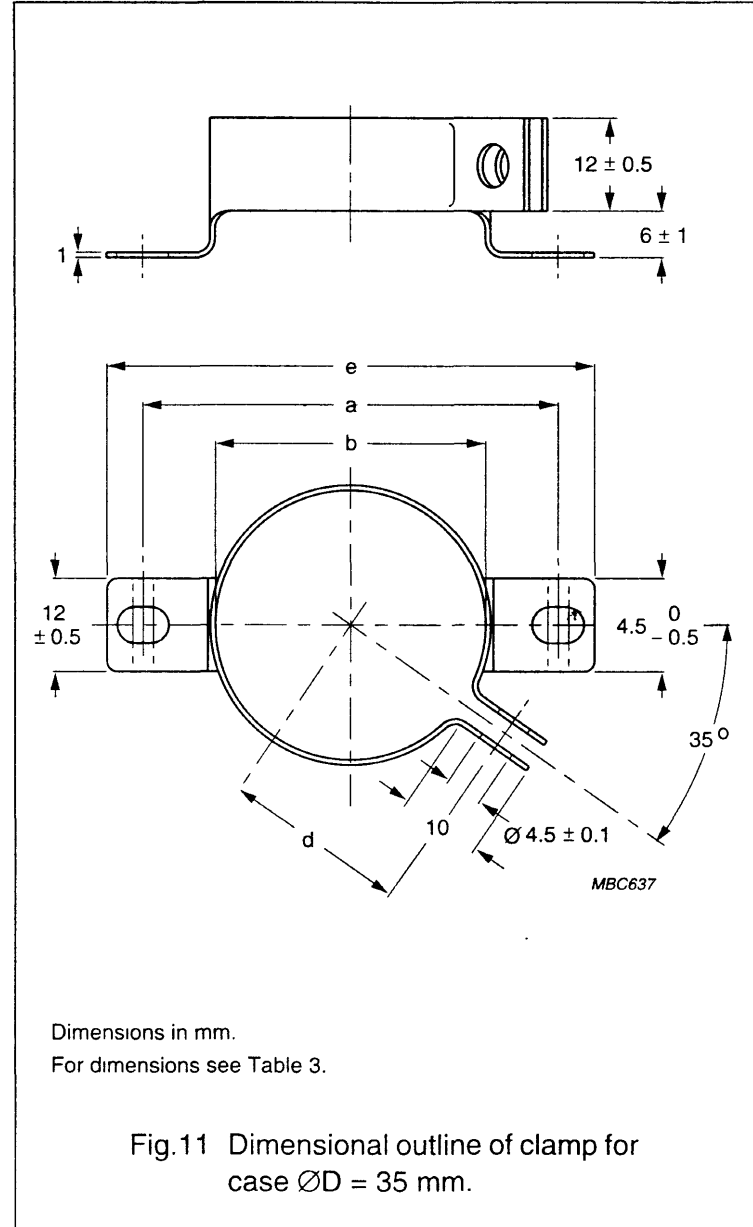
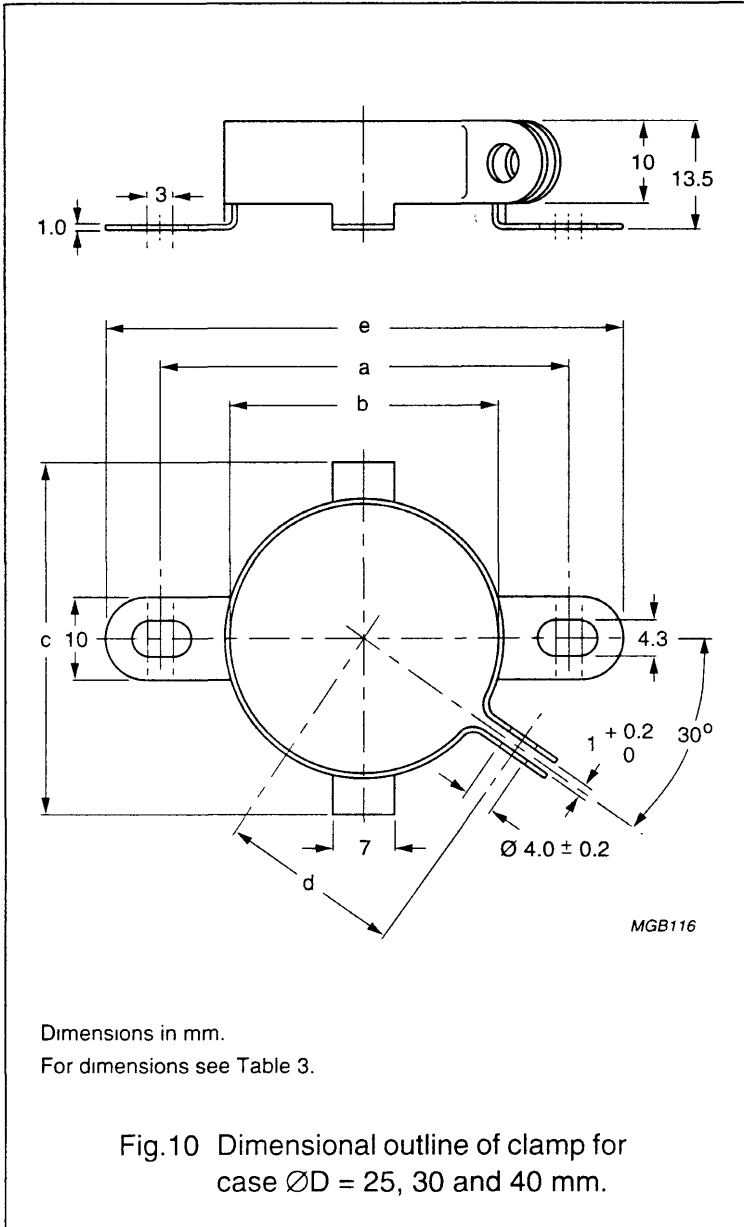


Table 3 Clamp dimensions; see Figs 3, 10 and 11

CASE DIAMETER (mm)	a (mm)	b (mm)	c (mm)	d (mm)	e (mm)	CATALOGUE NUMBER
25	41.5 ± 0.2	25	35	18.5	56	4322 043 03301
30	46.5 ± 0.2	30	40	21	61	4322 043 03311
35	51.5 ± 0.2	35	—	23.5	63	4322 043 04272
40	56.5 ± 0.2	40	50	26	71	4322 043 03331