

THIS DRAWING IS UNPUBLISHED.

RELEASED FOR PUBLICATION

ALL RIGHTS RESERVED.

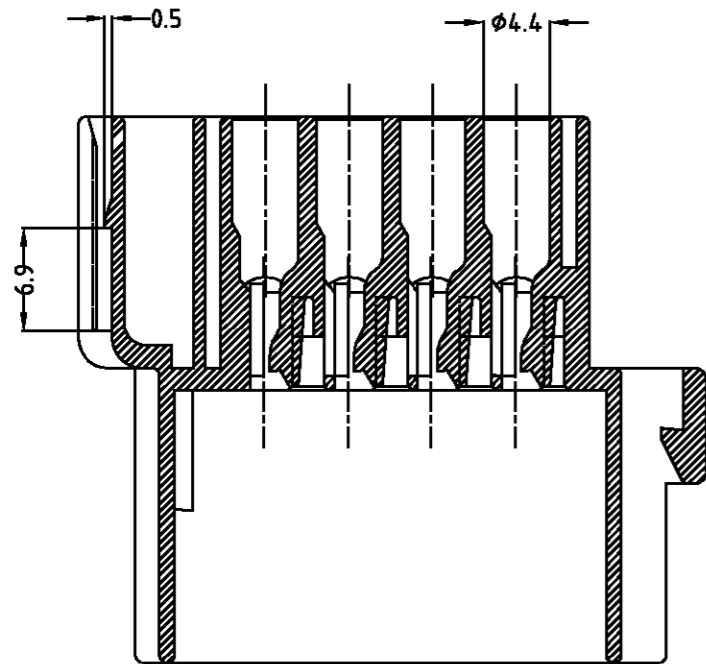
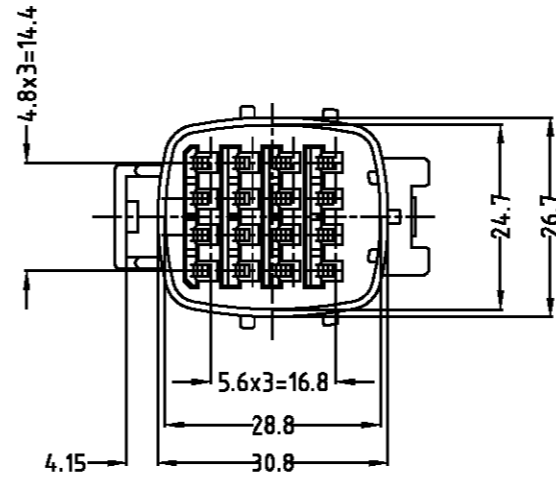
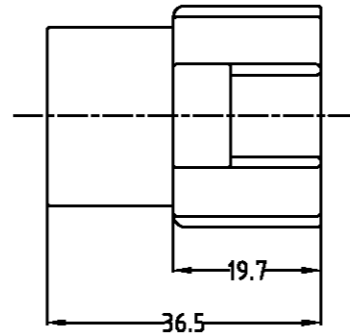
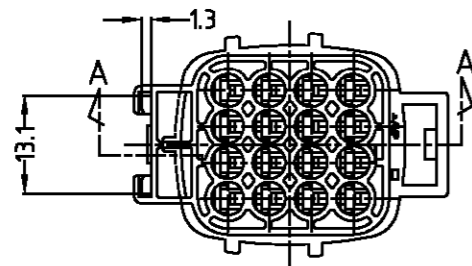
© COPYRIGHT

LOC DS

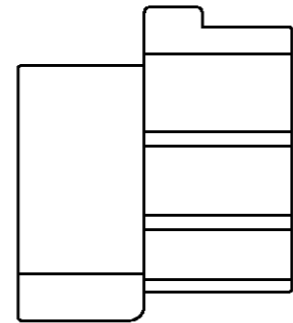
DIST

REVISIONS

P	LTR	DESCRIPTION	DATE	DWN	APVD
C1		REVISED PER ECO-11-005294	07APR11	RK	HMR

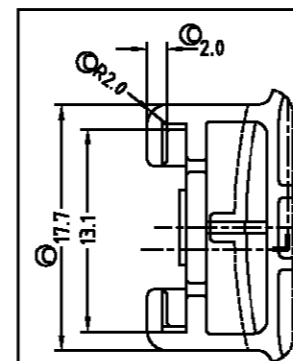


A-A  
(SCALE 2:1)

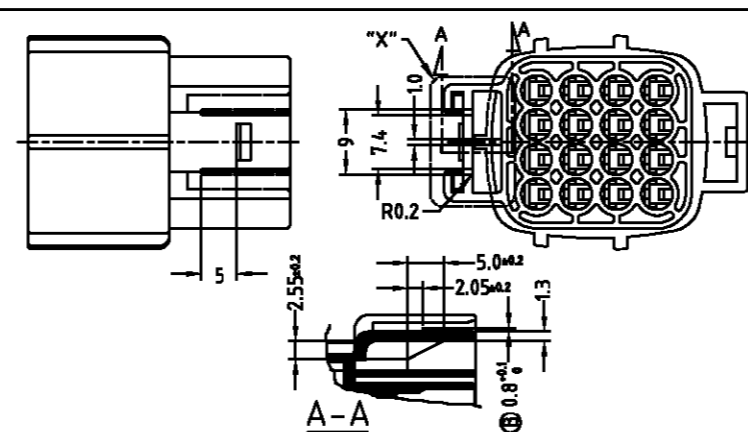


NOTE.

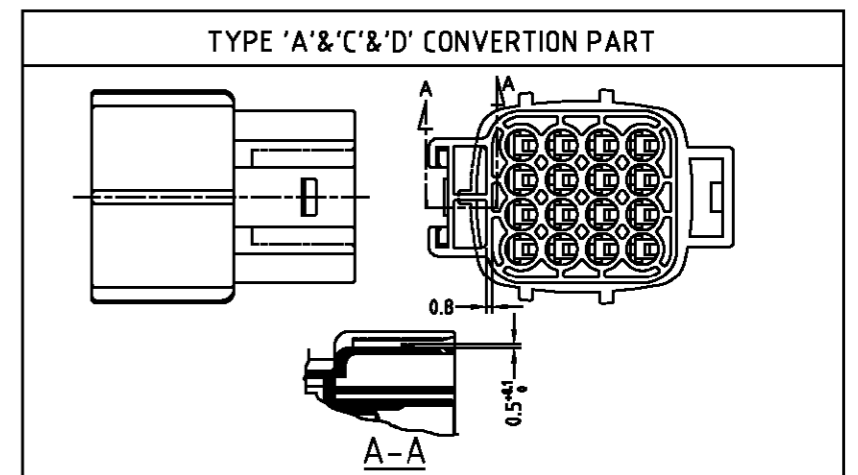
1. FOR PLUG HOUSING P/N : 368047
2. THIS PART MUST BE USED WITH DOUBLE LOCK PLATE P/N : 368051
3. APPLICABLE CLIP P/N : 368121



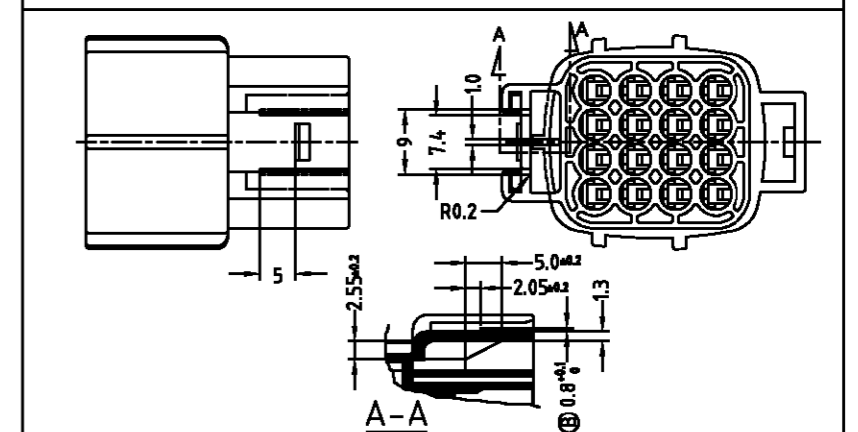
DETAIL X



Ⓒ P/N:3-368050-1/3,(TYPE 'D')



P/N:0-368050-1,3(TYPE 'A')



Ⓑ P/N:2-368050-1/3(TYPE 'C')

Ⓒ	3-368050-3	PBT	GRAY
Ⓒ	3-368050-1	PBT	BLACK
Ⓑ	2-368050-3	PBT	GRAY
Ⓑ	2-368050-1	PBT	BLACK
	0-368050-3	PBT	GRAY
	0-368050-1	PBT	BLACK
	PART NO.	MATERIAL	COLOR

DIMENSIONS: MM		TOLERANCES UNLESS OTHERWISE SPECIFIED:		DWN MS HER			
		0 <XX<10 ± 0.2 10<XX<30 ± 0.25 30<XX ± 0.3 ANGLES ± 3°		CHK BH JANG			
MATERIAL		FINISH		APVD CS LEE		NAME	
SEE TABLE				PRODUCT SPEC ---		ECONOSEAL J-MARK II(+) CONNECTOR	
				APPLICATION SPEC ---		16Pos. CAP HOUSING	
				WEIGHT ---		SIZE	
						A3	
						CAGE CODE	
						00779	
						DRAWING NO	
						C- 368050	
						SCALE 1:1	
						SHEET 1 OF 1	
						REV C1	