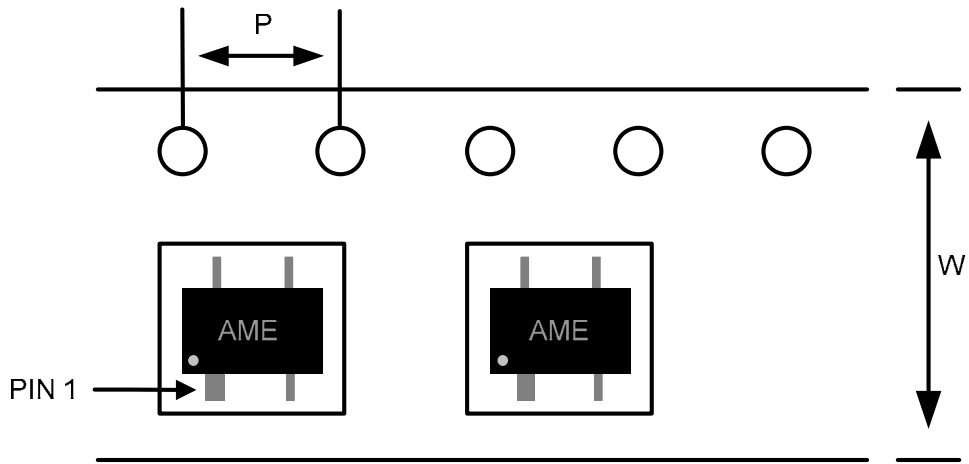


SOT-143



Carrier Tape, Number of Components Per Reel and Reel Size

| Package | Carrier Width (W) | Pitch (P) | Part Per Full Reel | Reel Size |
|---------|-------------------|------------|--------------------|-----------|
| SOT-143 | 8.0±0.1 mm | 4.0±0.1 mm | 3000pcs | 180±1 mm |