

**PLEASE CHECK WWW.MOLEX.COM FOR LATEST PART INFORMATION**

**Part Number:** [0532541370](#)  
**Status:** **Active**  
**Overview:** [microlatch](#)  
**Description:** 2.00mm (.079") Pitch Micro-Latch™ Wire-to-Board Header, Right Angle, Square Pin, Three-sided Shroud, Lead-free, 13 Circuits

**Documents:**

[3D Model](#) [Product Specification PS-51065-016 \(PDF\)](#)  
[Drawing \(PDF\)](#) [RoHS Certificate of Compliance \(PDF\)](#)

**Agency Certification**

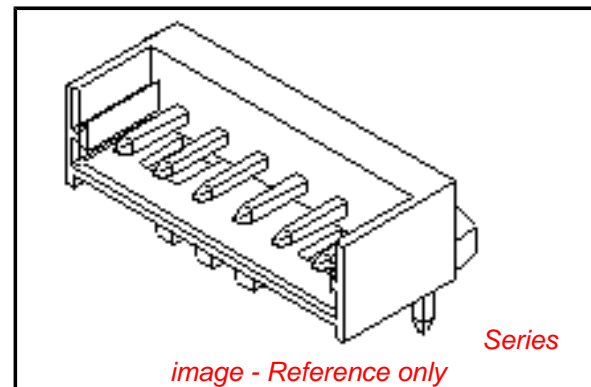
CSA LR19980  
 UL E29179

**General**

Product Family PCB Headers  
 Series [53254](#)  
 Application Wire-to-Board  
 Overview [microlatch](#)  
 Product Name Micro-Latch™

**Physical**

Breakaway No  
 Circuits (Loaded) 13  
 Durability (mating cycles max) 30  
 First Mate / Last Break No  
 Flammability 94V-0  
 Glow-Wire Compliant No  
 Lock to Mating Part Yes  
 Material - Metal Brass  
 Material - Plating Mating Tin  
 Material - Plating Termination Tin  
 Material - Resin Nylon  
 Number of Rows 1  
 Orientation Right Angle  
 PC Tail Length (in) 0.138 In  
 PC Tail Length (mm) 3.50 mm  
 PCB Locator No  
 PCB Retention Yes  
 PCB Thickness Recommended (in) 0.062 In  
 PCB Thickness Recommended (mm) 1.60 mm  
 Packaging Type Tray  
 Pitch - Mating Interface (in) 0.079 In  
 Pitch - Mating Interface (mm) 2.00 mm  
 Plating min: Mating (µin) 40  
 Plating min: Mating (µm) 1.00  
 Plating min: Termination (µin) 40  
 Plating min: Termination (µm) 1.00  
 Polarized to Mating Part Yes  
 Polarized to PCB No  
 Shrouded Partial  
 Stackable No  
 Surface Mount Compatible (SMC) No  
 Temperature Range - Operating -40°C to +105°C  
 Termination Interface: Style Through Hole



**EU RoHS**

**ELV and RoHS Compliant**  
**REACH SVHC Contains SVHC: No**  
**Halogen-Free Status**  
**Not Reviewed**

**China RoHS**



**Need more information on product environmental compliance?**

Email [productcompliance@molex.com](mailto:productcompliance@molex.com)  
 For a multiple part number RoHS Certificate of Compliance, [click here](#)

Please visit the [Contact Us](#) section for any non-product compliance questions.

**Search Parts in this Series**

[53254Series](#)

**Mates With**

[51065 Crimp Housing](#). [50212 Crimp Terminal](#)

**Electrical**

Current - Maximum per Contact

2A

Voltage - Maximum

125V

**Material Info****Reference - Drawing Numbers**

Packaging Specification

SPK-53254-001

Product Specification

PS-51065-016, RPS-51065-002, RPS-51065-006,  
RPS-51065-007, RPS-51065-013, RPS-51065-015,  
RPS-51065-021, RPS-51065-022, RPS-51065-025,  
RPS-51065-026

Sales Drawing

SD-51065-006, SD-53254-001

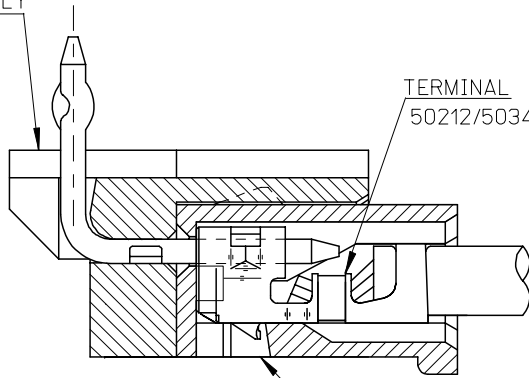
This document was generated on 05/25/2010

**PLEASE CHECK [WWW.MOLEX.COM](http://WWW.MOLEX.COM) FOR LATEST PART INFORMATION**

10 9 8 7 6 5 4 3 2 1

F

HEADER HOUSING ASSEMBLY  
53254SERIES



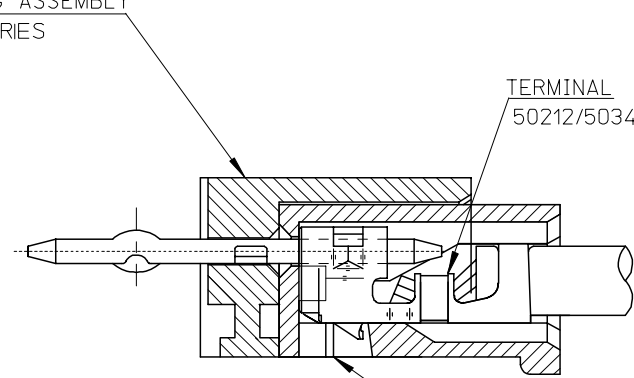
TERMINAL  
50212/50346 SERIES

RECEPTACLE HOUSING  
51065 SERIES

51065シリーズ/53254シリーズ 嵌合状態図 参考  
51065 SERIES/53254 SERIES MATED DRAWING (REF.)

F

HEADER HOUSING ASSEMBLY  
53253SERIES



TERMINAL  
50212/50346 SERIES

RECEPTACLE HOUSING  
51065 SERIES

51065シリーズ/53253シリーズ 嵌合状態図 参考  
51065 SERIES/53253 SERIES MATED DRAWING (REF.)

E

E

D

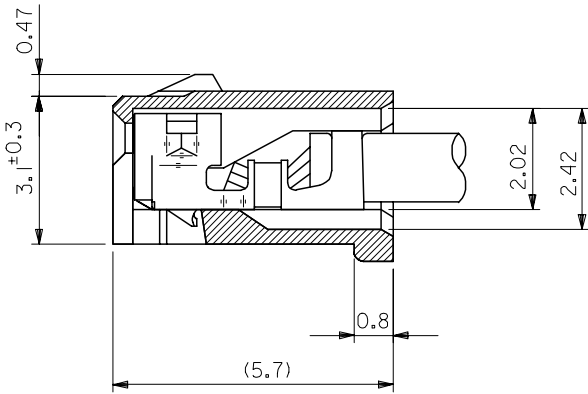
D

C

C

B

B



ターミナル装着状態図  
TERMINAL ASS'Y DWG.

RELEASED EC NO: J2008-2041 DRWN: AOYAGI 2007/11/21 CHKD: THARUYAMA 2007/11/22 APPR: NUKITA 2007/11/22	GENERAL TOLERANCES (UNLESS SPECIFIED)		DIMENSION STYLE MM ONLY	SCALE 10:1	DESIGN UNITS METRIC	THIRD ANGLE PROJECTION
	10 UNDER	±0.2	DRAWN BY Y. AOYAGI	DATE 2007/11/13	TITLE NEW 2.0 W/B CONN. 51065/53253OR51065/53254	
	10 OVER 30 UNDER	±0.25	CHECKED BY N. UKITA	DATE 2007/11/13	MOLEX INCORPORATED	
	30 OVER	±0.3	APPROVED BY N. UKITA	DATE 2007/11/13		
	ANGULAR	±1 °	MATERIAL NO.		DOCUMENT NO. SD-51065-006	SHEET NO. 1 OF 1
DRAFT WHERE APPLICABLE MUST REMAIN WITHIN DIMENSIONS		SEE TABLE				

9

8

7

6

5

4

3

2

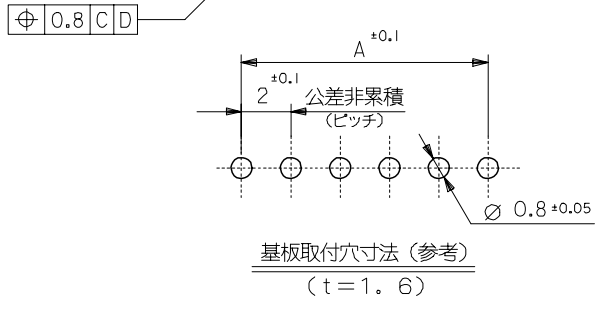
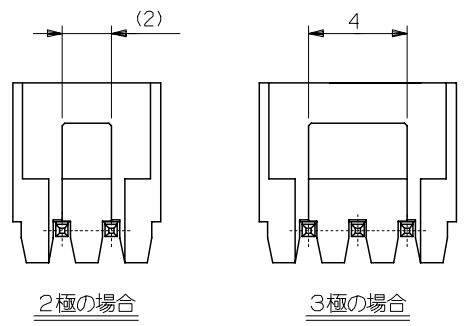
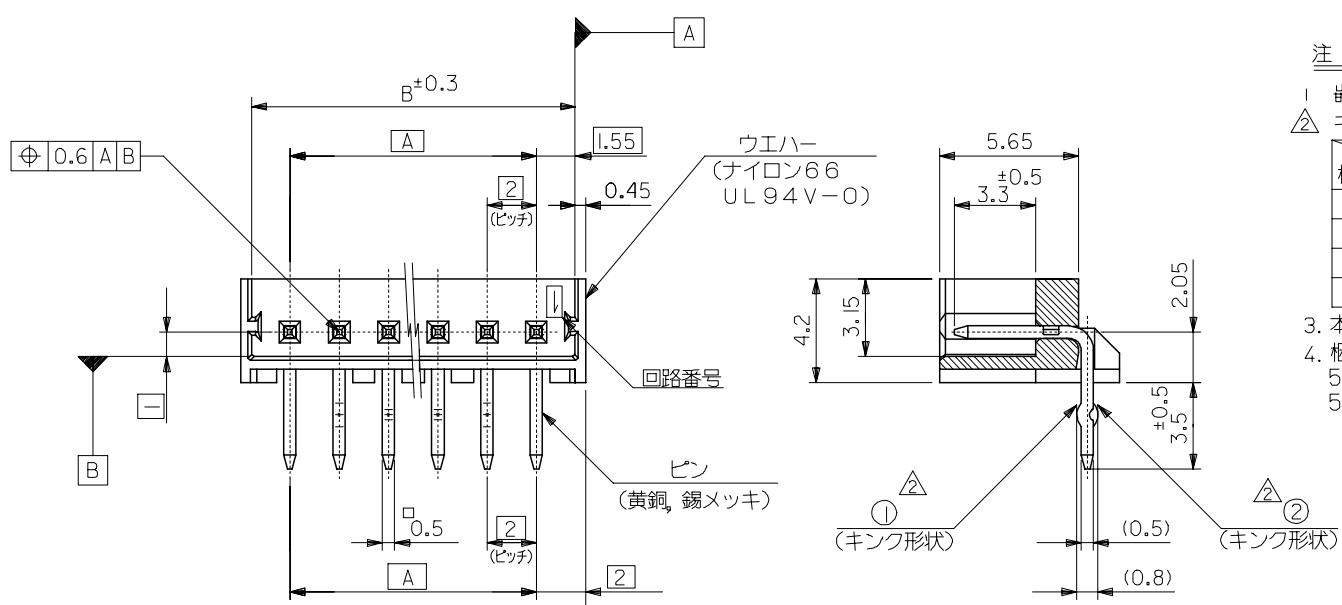
注 記

- 1 嵌合相手: 51065-\*\*00
- △ キングは下記表の位置及び形状に付加のこと。2極はキング無し。

回路番号	1	2	3	4	5	N-2	N-1	N
極数								
6極以上	—	①	②	—	—	②	①	—
5極	①	②	—	②	①			
4極	①	②	②	①				
3極	①	②	①					

- 3. 本製品は、53254-\*\*10の鉛フリー品です。
- 4. 梱包仕様 PACKAGING  
53254-\*\*70 トレー TRAY  
53254-\*\*50 ホリ袋 POLYBAG

32	31.1	28	53254-1550	53254-1570	15
30	29.1	26	-1450	-1470	14
28	27.1	24	-1350	-1370	13
26	25.1	22	-1250	-1270	12
24	23.1	20	-1150	-1170	11
22	21.1	18	-1050	-1070	10
20	19.1	16	-0950	-0970	9
18	17.1	14	-0850	-0870	8
16	15.1	12	-0750	-0770	7
14	13.1	10	-0650	-0670	6
12	11.1	8	-0550	-0570	5
10	9.1	6	-0450	-0470	4
8	7.1	4	-0350	-0370	3
6	5.1	2	53254-0250	53254-0270	2
C	B	A	MATERIAL NO.	MATERIAL NO.	極数
			MODEL NO.	53254-**70/**50	



REVISED EC NO: J2005-2396 DRW:NAIDA 2005/02/22 CHK:K1010 2005/02/22 APPR:NUK/ITA 2005/02/28	GENERAL TOLERANCES (UNLESS SPECIFIED)		DIMENSION STYLE MM ONLY		SCALE 5:1	DESIGN UNITS METRIC		THIRD ANGLE PROJECTION	
	10 UNDER	±0.2	DRAWN BY DATE TTSUBO1 '04/01/15		TITLE NEW 2.0 WIRE TO BOARD CONN. WAFER ASSY R/A -LEAD FREE-				
	10 OVER 30 UNDER	±0.25	CHECKED BY DATE SMARUYAM '04/01/15		MOLEX INCORPORATED				
	30 OVER	±0.3	APPROVED BY DATE MSASAO '04/01/15		MATERIAL NO. SEE CHART		DOCUMENT NO. SD-53254-001		SHEET NO. 1 OF 1
DRAFT WHERE APPLICABLE MUST REMAIN WITHIN DIMENSIONS		THIS DRAWING CONTAINS INFORMATION THAT IS PROPRIETARY TO MOLEX INCORPORATED AND SHOULD NOT BE USED WITHOUT WRITTEN PERMISSION							