

# ATP Industrial Grade SD Card Specification

**AF512SDI-5ACXX**

**AF1GSDI-5ACXX**

**AF2GSDI-5ADXX**

**AF4GSDI-5ACXX**

**AF8GSDI-5ACXX**

Revision 3.7



*Your Ultimate Memory Solution!*

---



**Disclaimer:**

*ATP Electronics Inc. shall not be liable for any errors or omissions that may appear in this document, and disclaims responsibility for any consequences resulting from the use of the information set forth herein.*

*The information in this manual is subject to change without notice.*

*ATP general policy does not recommend the use of its products in life support applications where in a failure or malfunction of the product may directly threaten life or injury.*

*All parts of the ATP documentation are protected by copyright law and all rights are reserved. This documentation may not, in whole or in part, be copied, photocopied, reproduced, translated, or reduced to any electronic medium or machine-readable form without prior consent, in writing, from ATP Corporation.*

*The information set forth in this document is considered to be "Proprietary" and "Confidential" property owned by ATP.*

**Revision History**

Date	Version	Changes compared to previous issue
April 15 <sup>th</sup> , 2008	1.0	- Base version
August 13 <sup>th</sup> , 2008	1.1	- Add 8GB item
Sep. 19 <sup>th</sup> , 2010	1.2	- Combine SDHC product spec with SD product spec - Update the product performance - Add Bend, Torque, Salt Spray, Solar Radiation certification - Add ESD, Water, Dust proof certification - Update MTBF
Mar. 4 <sup>th</sup> , 2011	2.0	- Update P/N - Update MTBF
May. 24 <sup>th</sup> , 2011	2.1	- Revise 8GB P/N - Revise performance
May. 31 <sup>st</sup> , 2011	2.2	- Add density 16GB - Update performance
Jul. 6 <sup>th</sup> , 2011	2.3	- Revise P/N - Update performance
Jul. 20 <sup>th</sup> , 2011	2.4	- Revise
Jul. 27 <sup>th</sup> , 2011	3.0	- Revise
Nov. 1 <sup>st</sup> , 2011	3.1	- Add 4GB/8GB density - Add ATP SD life monitor tool
Nov. 17 <sup>th</sup> , 2011	3.2	- Update Performance
Mar. 13 <sup>th</sup> , 2012	3.3	- Add new features: StaticDataRefresh and SD Life Monitoring Tool - Add TBW (Total Bytes Written) information - Add 1GB density and performance
Mar. 29 <sup>th</sup> , 2012	3.4	- Add SPI mode information in Chapter 7
Jun. 21 <sup>st</sup> , 2012	3.5	- Separate specification by models - Revise endurance information

*Your Ultimate Memory Solution!*



Aug. 6 <sup>th</sup> , 2012	3.6	- Update AF512SDI-5ACXX
Sep. 19 <sup>th</sup> , 2012	3.7	- Product line up AF512SDI-5ACXX, AF1GSDI-5ACXX, AF2GSDI-5ADXX, AF4GSDI-5ACXX, AF8GSDI-5ACXX - Update Data Retention information



## Table of Contents

<b>1</b>	<b>ATP Industrial Grade SD/SDHC Card Overview .....</b>	<b>6</b>
1.1	ATP Product Availability.....	6
1.2	Main Features.....	7
1.3	Application.....	7
<b>2</b>	<b>Product Specifications .....</b>	<b>8</b>
2.1	Environment Specifications .....	8
2.2	Reliability.....	9
2.3	Data Retention.....	10
2.4	Performance .....	10
2.5	Electrical Characteristics .....	11
2.6	Extra Features.....	11
2.7	Global Wear Leveling- Longer Life Expectancy .....	12
2.8	StaticDataRefresh Technology – Ensure Data Integrity.....	12
2.9	SD Life Monitoring Tool – Lifespan check .....	13
2.10	Physical Dimension (Units in MM).....	14
2.11	Mechanical Form Factor (Units in MM).....	14
<b>3</b>	<b>Electrical Characteristics .....</b>	<b>15</b>
3.1	DC Characteristics.....	15
3.2	AC Characteristics.....	16
<b>4</b>	<b>SD Card Hardware System .....</b>	<b>20</b>
4.1	SD Card Description .....	20
4.2	SD BUS Topology .....	21
4.3	SD Card Hardware Interface .....	22
4.4	Bus Signal Line Load.....	23
4.5	Hot Insertion and Removal.....	24
4.6	Power up .....	24
4.7	Compatibility to Multi Media Card.....	25
4.8	Card Capacity.....	25
<b>5</b>	<b>Card Registers .....</b>	<b>27</b>
5.1	OCR Register .....	27
5.2	CID Register.....	27
5.3	CSD Register.....	29
5.4	RCA Register .....	34
5.5	SCR Register .....	34
5.6	SSR Register .....	36
5.7	CSR Register.....	36
<b>6</b>	<b>SD Card Functional Description.....</b>	<b>37</b>
6.1	SD BUS Protocol .....	37
6.2	Command .....	40
6.2.1	Command Types and Format.....	40

*Your Ultimate Memory Solution!*



6.2.2	Command Classes .....	41
6.2.3	• Detailed Command Description .....	43
6.3	Card State Transition Table.....	50
	Responses.....	53
6.4	SD Card Status.....	56
6.4.1	Card Status.....	56
6.4.2	SD Status .....	60
6.5	Card Identification Mode and Data Transfer Mode .....	64
6.5.1	Card Identification Mode .....	64
6.5.2	Data Transfer Mode .....	68
6.6	Error Handling .....	70
6.6.1	Error Correction Code (ECC).....	70
6.6.2	Cyclic Redundancy Check (CRC).....	70
6.6.3	CRC and Illegal Command .....	71
6.6.4	Read, Write and Erase Time-out.....	71
<b>7</b>	<b>SPI Mode.....</b>	<b>73</b>
7.1	Introduction .....	73
7.2	SPI BUS Topology.....	73
7.3	SPI Bus Protocol .....	74
7.3.1	Mode Selection and Initialization.....	75
7.3.2	Bus Transfer Protection .....	77
7.3.3	Data Read.....	77
7.3.4	Data Write.....	78
7.3.5	Erase & Write Protect Management .....	79
7.3.6	Read CID/CSD Registers .....	80
7.3.7	Reset Sequence .....	80

# 1 ATP Industrial Grade SD/SDHC Card Overview

## 1.1 ATP Product Availability



Figure 1-1: Product Pictures

ATP P/N	CAPACITY
AF512SDI-5ACXX	512MB
AF1GSDI-5ACXX	1GB
*AF2GSDI-5ADXX	2GB
*AF4GSDI-5ACXX	4GB
*AF8GSDI-5ACXX	8GB

Table 1-1: Capacities

\*Note: Support by project, please contact ATP for more information.

*Your Ultimate Memory Solution!*



## 1.2 Main Features

- Compatible with SD Specifications Version 2.00
- Support SD mode, SPI mode
- High reliability, operating at -40°C to 85°C
- SLC (Single-Level-Cell) NAND Flash
- Water proof, Dust proof and ESD proof
- SIP (System-In-Package) process
- Resistance to Shock and Vibration
- Enhanced endurance by Global Wear Leveling algorithm
- SaticDataRefresh technology to ensure data integrity in read operations
- Available Life Monitor Tool to check the remaining life of ATP SD/SDHC card
- Enhanced power cycling support
- Support BCH ECC up to 40bits/1KByte
- Supports CPRM
- Form factor: 32 x 24 x 2.1mm
- RoHS compliant
- CE & FCC certification
- Controlled BOM
- Customized service: adjustable CID registers, firmware & setting and label by projects

## 1.3 Application

ATP Industrial Grade SD/SDHC cards are designed for demanding industrial applications, such as handheld computing, military/aerospace, automotive, marine navigation, embedded systems, communication equipment or networking, medical equipment, and automation, where mission-critical data requires the highest level of reliability, durability, and data integrity.

*Your Ultimate Memory Solution!*



## 2 Product Specifications

### 2.1 Environment Specifications

TYPE		MEASUREMENT
Temperature	Operation	-40°C to 85°C
	Non-Operation	-40°C to 85°C
Humidity	Operation	25°C, 10% ~ 95% RH, non-condensing
	Non-Operation	40°C, 10% ~ 93% RH, non-condensing
Bend Test	Non-Operation	10N to the center of the card, 250 cycles, 30 cycles/minute
Torque Test	Non-Operation	0.15N-m or +/-2.5°, 30 cycles/minute, 1000 cycles
Salt Spray Test (MIL-STD-883G Method1009.8)	Non-Operation	35°C, Over 85% RH, 5% Salt Concentration, 24 hours
Solar Radiation Test	Non-Operation	40°C, Irradiation 1000W/m², 24 hours
UV Light Exposure Test (ISO 7816-1)	Non-Operation	254nm, 15Ws/cm²
Drop Test	Non-Operation	150cm/Free fall, total 6 drops

**Table 2-1: Environment**





## 2.2 Reliability

TYPE	MEASUREMENT	
Number of insertions	10,000 minimum	
Endurance Technology	SLC NAND Flash block endurance: 512MB / 2GB / 4GB / 8GB: 60,000 P/E cycles 1GB: 100,000 P/E cycles	
	Global Wear Leveling algorithm	
TBW (Total Bytes Written)	512MB	6.1 Terabytes random write
		12.3 Terabytes sequential write
	1GB	20 Terabytes random write
		40 Terabytes sequential write
	2GB	24 Terabytes random write
		48 Terabytes sequential write
	4GB	48 Terabytes random write
		96 Terabytes sequential write
8GB	96 Terabytes random write	
	192 Terabytes sequential write	
MTBF(@ 25°C)	>2,000,000 hours	

**Table 2-2: Reliability**

Note: Endurance for flash cards can be predicted based on the usage conditions applied to the device, the internal NAND flash cycles, the write amplification factor, and the wear leveling efficiency of the flash devices.

## 2.3 Data Retention

### 512MB/2GB/4GB/8GB SD card

Endurance Used	Number of P/E Cycles Used (block level)	Corresponding Data Retention at 25C use condition
10% P/E cycles	6,000 Cycles	10 years
100% P/E cycles	60,000 Cycles	1 year

### 1GB SD card

Endurance Used	Number of P/E Cycles Used (block level)	Corresponding Data Retention at 25C use condition
10% P/E cycles	10,000 Cycles	10 years
100% P/E cycles	100,000 Cycles	1 year

**Table 2-3: Data Retention**

Note 1: Data retention refers to the ability of a memory bit to retain its data state over a period of time after the data is written in NAND Flash regardless of whether the part is powered on or powered off. A data retention failure is when there is at least 1 bit of data that cannot be read or is read incorrectly.

Note 2: NAND Flash suppliers refer to JEDEC JESD47 & JESD22 for Data Retention testing. Based on the information provided by NAND Flash suppliers, ATP targets Data Retention as above table for reference.

## 2.4 Performance

Model P/N	Seq. Read (KB/s)	Seq. Write (KB/s)	Random Read (KB/s)	Random Write (KB/s)
AF512SDI-5ACXX	19579	14998	17855	5078
AF1GSDI-5ACXX	18989	17009	17123	5371
AF2GSDI-5ADXX	20634	11296	18980	4154
AF4GSDI-5ACXX	20469	18720	18196	6081
AF8GSDI-5ACXX	20317	16377	18196	5577

**Table 2-4: Performance**

Note: Tested by HDBench 3.40 beta6 with 40MB file size. The performance may vary depending on the configuration, firmware, setting, application and testing environment.

*Your Ultimate Memory Solution!*



## 2.5 Electrical Characteristics

TYPE	MEASUREMENT
Card supported Voltage	2.7~3.6V
Card supported Frequency	0~50 MHz
Data Bus Width Supported	1 or 4 bits

**Table 2-5: Electrical Characteristics**

## 2.6 Extra Features

TYPE	MEASUREMENT
Water Proof	IEC 60529 Edition 2.1: 2001-02—IPX7, below 1000mm water, 30min
Dust Proof	IEC 60529 Edition 2.1: 2001-02—IP6X
ESD Proof	IEC 61000-4-2: contact pad +/- 4KV, non-contact pad (Coupling plane discharge) +/- 8KV, non-contact pad (Air discharge) +/- 15KV
RoHS Compliant	Yes

**Table 2-6: Extra Features**

*Your Ultimate Memory Solution!*



## 2.7 Global Wear Leveling- Longer Life Expectancy

The program / erase cycle of each sector/page/block is finite. Writing constantly on the same spot will cause the flash to wear out quickly. Furthermore, bit errors are not proportioned to P/E cycles; sudden death may occur when the block is close to its P/E cycle limit. Then unrecoverable bit errors will cause fatal data loss (especially for system data or FAT).

Global wear leveling algorithm evenly distributes the P/E cycles of each block to minimize the possibility of one block exceeding its max P/E cycles before the rest. In return, the life expectancy of memory storage device is prolonged and the chance/occurrence of unrecoverable bit errors could be reduced.

## 2.8 StaticDataRefresh Technology – Ensure Data Integrity

Over time the error bits accumulate to the threshold in the flash memory cell and eventually become uncorrectable despite using the ECC engine. In the traditional handling method, the data is moved to a different location in the flash memory; despite the corrupted data is beyond repaired before the transition.

To prevent data corruption, the SD card monitors the error bit levels in every operation; when it reaches the preset threshold value, StaticDataRefresh is achieved by erasing and re-programming the data into the same block or into another block. After the re-programming operation is completed, the controller reads the data and compares the data/parity to ensure data integrity.

## 2.9 SD Life Monitoring Tool – Lifespan check

ATP provides SD Life Monitoring Tool, which can automatically identify ATP memory cards and check the remaining life of ATP microSD / SD cards under Windows 2000/XP/Vista/7. Users can thus evaluate ATP memory card’s health status at run time and receive an early warning before its life ends.

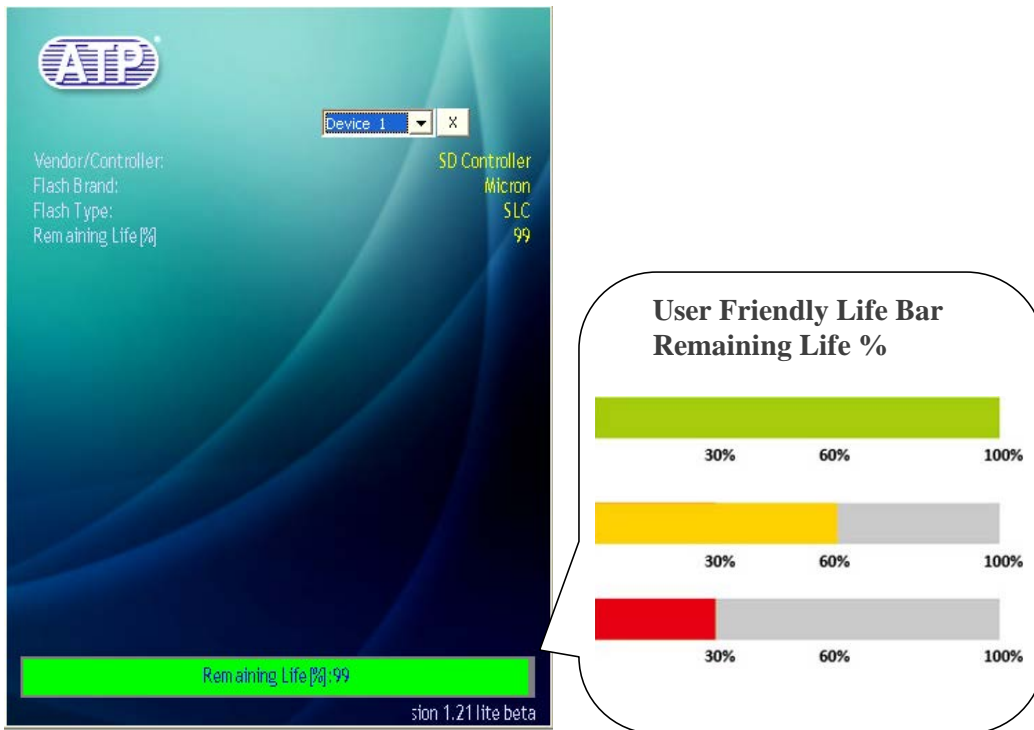


Figure 2-9: SD Life Monitoring

Note: The SD card will be busy while SD Life Monitoring Tool is retrieving the information from the SD card. Due to this reason, the user cant' execute this software from the same SD card that is being monitored.



**2.10 Physical Dimension (Units in MM)**

TYPE	MEASUREMENT
Length	32mm +/- 0.1mm
Width	24mm +/- 0.1mm
Thickness	2.1mm +/- 0.15mm
Weight	2.0 gram Max.

Table 2-10 Physical Dimension

**2.11 Mechanical Form Factor (Units in MM)**

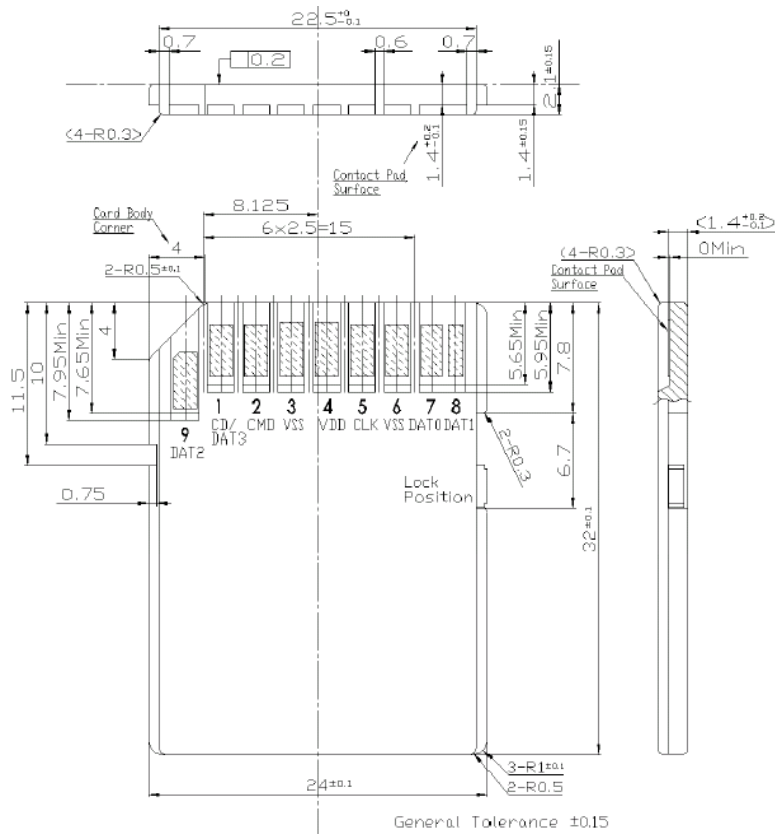


Figure 2-11: Physical Dimension

Your Ultimate Memory Solution!



### 3 Electrical Characteristics

#### 3.1 DC Characteristics

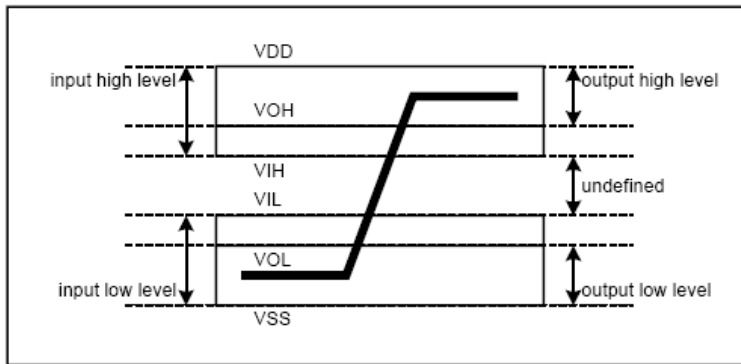


Figure 3-1: Bus Signal Level

PARAMETER	SYMBOL	MIN	TYPICAL	MAX	UNIT	REMARK
Supply Voltage	$V_{DD}$	2.7	3.3	3.6	V	
Operating Current	$I_{CC1}$	-	50		mA	
Standby Current	$I_{SB}$	-	-	200	$\mu A$	
Input Leakage Current	$I_{LI}$	-10	-	10	$\mu A$	
Output Leakage Current	$I_{LO}$	-10	-	10	$\mu A$	
Input High Voltage	$V_{IH}$	$0.625 \times V_{DD}$	-	$V_{DD} + 0.3$	V	
Input Low Voltage	$V_{IL}$	$V_{SS} - 0.3$	-	$0.25 \times V_{DD}$	V	
Output High Voltage	$V_{OH}$	$0.75 \times V_{DD}$	-	-	V	
Output Low Voltage	$V_{OL}$	-	-	$0.125 \times V_{DD}$	V	

Table 3-1: DC Characteristics

**3.2 AC Characteristics**

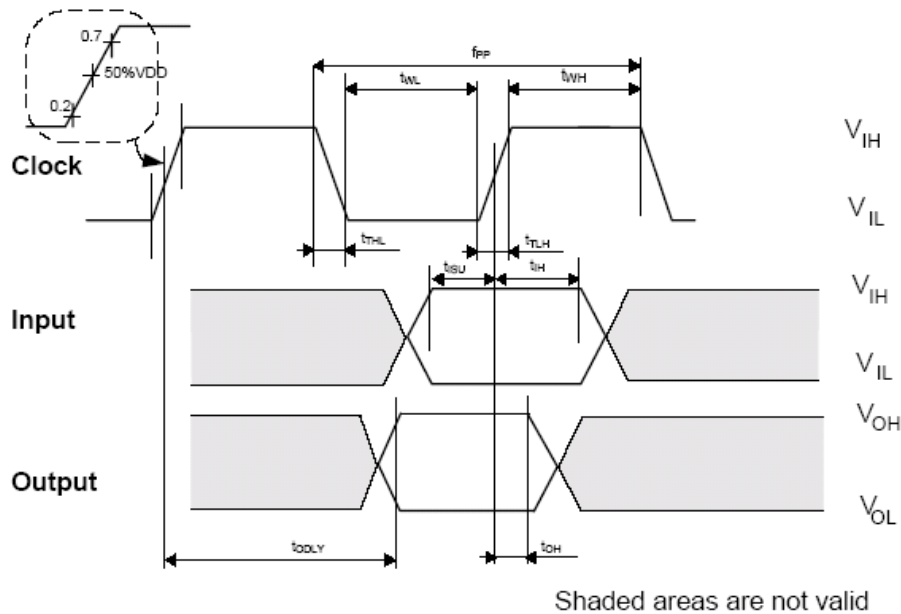


Figure 3-2: Timing diagram data input/output referenced to clock (Default)

**High Speed Mode Bus Timing:**

Parameter	Symbol	Min	Max	Unit	Remark
Clock CLK (All values are referred to min ( $V_{IH}$ ) and max ( $V_{IL}$ ))					
Clock frequency Data Transfer Mode	$f_{PP}$	0	50	MHz	$C_{card} \leq 10 \text{ pF}(1 \text{ card})$
Clock low time	$t_{WL}$	7	-	ns	$C_{card} \leq 10 \text{ pF}(1 \text{ card})$
Clock high time	$t_{WH}$	7	-	ns	$C_{card} \leq 10 \text{ pF}(1 \text{ card})$
Clock rise time	$t_{TLH}$	-	3	ns	$C_{card} \leq 10 \text{ pF}(1 \text{ card})$
Clock fall time	$t_{TLL}$	-	3	ns	$C_{card} \leq 10 \text{ pF}(1 \text{ card})$
Inputs CMD, DAT (referenced to CLK)					
Input set-up time	$t_{ISU}$	6	-	ns	$C_{card} \leq 10 \text{ pF}(1 \text{ card})$
Input hold time	$t_{IH}$	2	-	ns	$C_{card} \leq 10 \text{ pF}(1 \text{ card})$

Your Ultimate Memory Solution!





Outputs CMD, DAT (referenced to CLK)					
Output Delay time during Data Transfer Mode	t <sub>ODLY</sub>	-	14	ns	C <sub>L</sub> ≤ 40 pF(1 card)

**Table 3-2: Bus Timing - Parameters Values (High Speed Mode)**

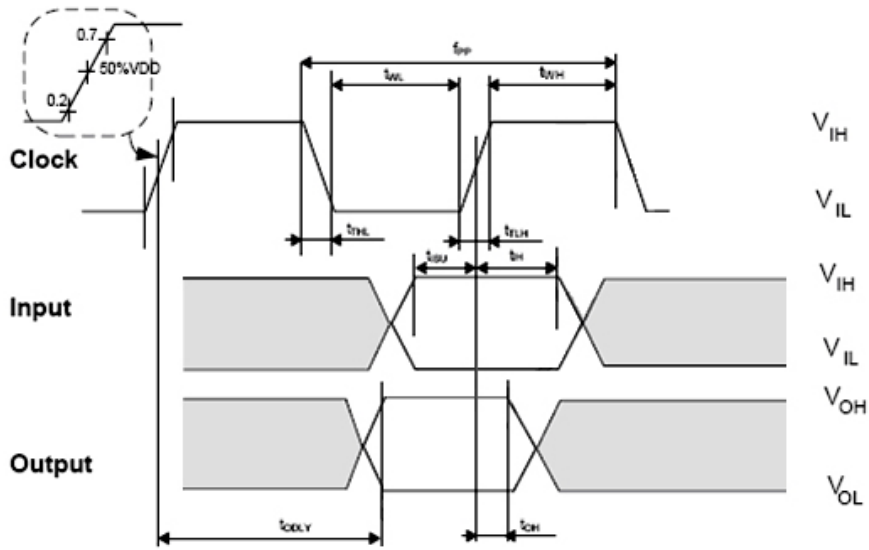
**Default Bus Timing(Backward Compatible):**

Parameter	Symbol	Min	Max	Unit	Remark
Clock CLK (All values are referred to min (V <sub>IH</sub> ) and max (V <sub>IL</sub> ))					
Clock frequency Data Transfer Mode	f <sub>pp</sub>	0	25	MHz	C <sub>card</sub> ≤ 10 pF(1 card)
Clock frequency Identification Mode	f <sub>OD</sub>	0	400	KHz	C <sub>card</sub> ≤ 10 pF(1 card)
Clock low time	t <sub>WL</sub>	10	-	ns	C <sub>card</sub> ≤ 10 pF(1 card)
Clock high time	t <sub>WH</sub>	10	-	ns	C <sub>card</sub> ≤ 10 pF(1 card)
Clock rise time	t <sub>TLH</sub>	-	10	ns	C <sub>card</sub> ≤ 10 pF(1 card)
Clock fall time	t <sub>THL</sub>	-	10	ns	C <sub>card</sub> ≤ 10 pF(1 card)
Inputs CMD, DAT (referenced to CLK)					
Input set-up time	t <sub>ISU</sub>	5	-	ns	C <sub>card</sub> ≤ 10 pF(1 card)
Input hold time	t <sub>IH</sub>	5	-	ns	C <sub>card</sub> ≤ 10 pF(1 card)
Outputs CMD, DAT (referenced to CLK)					
Output Delay time during Data Transfer Mode	t <sub>ODLY</sub>	-	14	ns	C <sub>L</sub> ≤ 40 pF(1 card)

Comment [Leo1]: 100K 最低是否要求

**Table 3-3: Bus Timing - Parameters Values (Default)**

(1) 0Hz means to stop the clock. The given minimum frequency range is for cases where continuous clock is required.



Shaded areas are not valid

Figure 3-3: Timing diagram data input/output referenced to clock (High-Speed)

PARAMETER	SYMBOL	MIN	MAX	UNIT	REMARK
Clock CLK (All values are referred to min ( $V_{IH}$ ) and max ( $V_{IL}$ ),					
Clock frequency Data Transfer Mode	$f_{PP}$	0	50	MHz	
Clock low time	$t_{WL}$	7		ns	
Clock high time	$t_{WH}$	7		ns	
Clock rise time	$t_{TLH}$		3	ns	
Clock fall time	$t_{THL}$		3	ns	
Inputs CMD, DAT (referenced to CLK)					
Input set-up time	$t_{ISU}$	6		ns	
Input hold time	$t_{IH}$	2		ns	
Outputs CMD, DAT (referenced to CLK)					
Output Delay time during Data Transfer Mode	$t_{ODLY}$	0	14	ns	
Output Hold time	$t_{OH}$	2.5		ns	
Total System capacitance for each line	$C_L$		40	pF	

Comment [Leo2]: 是否要求 100K 最低?

**Table 3-3: Bus Timing - Parameters Values (High-Speed)**

## 4 SD Card Hardware System

### 4.1 SD Card Description

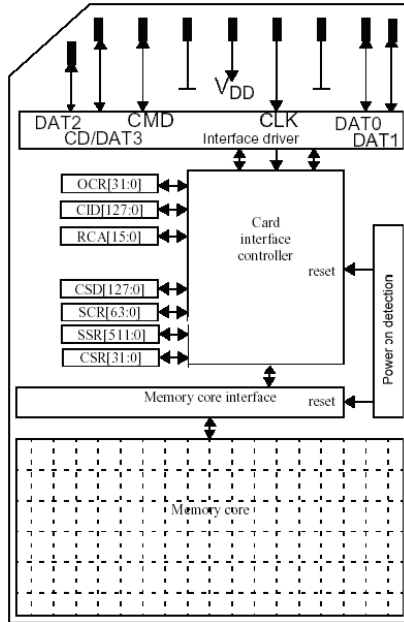


Figure 4-1: SD Card Function Block Diagram

PIN #	SD INTERFACE			SPI INTERFACE		
	NAME	TYPE	DESCRIPTION	NAME	TYPE	DESCRIPTION
1	CD/ DAT3 <sup>2</sup>	I/O/PP	Card Detect /Data Line (Bit 3)	CS	I	Chip Select (Active Low)
2	CMD	PP	Command/ Response	DI	I/PP	Data In
3	VSS <sup>1</sup>	S	Supply Voltage Ground	VSS	S	Supply Voltage Ground
4	VDD	S	Supply Voltage	VDD	S	Supply Voltage
5	CLK	I	Clock	SCLK	I	Clock
6	VSS <sup>2</sup>	S	Supply Voltage Ground	VSS <sup>2</sup>	S	Supply Voltage Ground
7	DAT0	I/O/PP	Data Line (Bit 0)	DO	O/PP	Data Out
8	DAT1	I/O/PP	Data Line (Bit 1)	RSV		
9	DAT2	I/O/PP	Data Line (Bit 2)	RSV		

Table 4-1: Pad Assignment

Your Ultimate Memory Solution!



- 1) S: power supply; I: input; O: output using push-pull drivers; PP: I/O using push-pull drivers;
- 2) The extended DAT Lines (Dat1-DAT3) are input on power up. They start to operate as DAT lines after SET\_BUS\_WIDTH command. The Host shall keep its own DAT1-DAT3 lines in input mode, as well, while they are not used.
- 3) After power up this line is input with 50Kohm pull-up (can be used for card detection or SPD mode selection). The pull-up should be disconnected by user, during regular data transfer, with SET\_CLR\_CARD\_DETECT (ACMD42) command

Each card has a set of information registers. Please refer to chapter 5 for the details of registers.

NAME	WIDT	DESCRIPTION
CID	128	Card identification number; card individual number for identification.
RCA	16	Relative card address; local system address of a card, dynamically suggested by the card and approved by the host during initialization.
CSD	128	Card Specific Data; information about the card operation conditions.
SCR	64	SD Configuration Register; information about the SD Card's Special Features capabilities.
OCR	32	Operation conditions register.
SSR	512	SD Status; information about the card proprietary features.
CSR	32	Card Status; information about the card status.

**Table 4-2: SD Card registers**

## 4.2 SD BUS Topology

The SD Card bus has a single master (application), multiple slaves (cards), synchronous star topology. Clock, power and ground signals are common to all cards. Command (CMD) and data (DAT0 - DAT3) signals are dedicated to each card providing continues point to point connection to all the cards.

During initialization process commands are sent to each card individually, allowing the application to detect the cards and assign logical addresses to the physical slots. Data is always sent (received) to (from) each card individually. However, in order to simply the handling of the card stack, after the initialization process, all commands may be sent concurrently to all cards. Addressing information is provided in the command packet.

SD bus allows dynamic configuration of the number of data lines. After power up, by default, the SD Card will use only DAT0 for data transfer. After initialization the host can change the bus width (number of active data lines). This feature allows easy trade off between HW cost and system performance.

**Note that while DAT1-DAT3 are not in use, the related Host's DAT lines should be in tri-state (input mode).**

*Your Ultimate Memory Solution!*



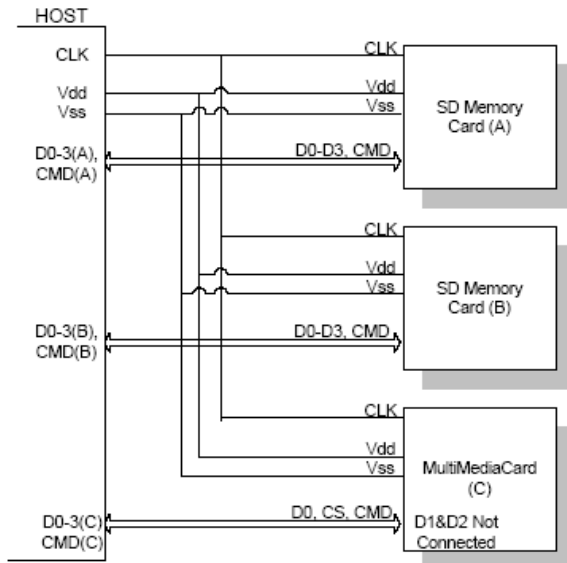


Figure 4-2: SD Card system bus Topology

### 4.3 SD Card Hardware Interface

The SD Card has six communication lines and three supply lines:

- CMD: Command is a bidirectional signal. The host and card drivers are operating in push pull mode.
- DAT0-3: Data lines are bidirectional signals. Host and card drivers are operating in push pull mode
- CLK: Clock is a host to card signal. CLK operates in push pull mode
- VDD: VDD is the power supply line for all cards.
- VSS1, VSS2 are two ground lines.

In addition to those lines that are connected to the internal card circuitry there are two contacts of the Write Protect/Card Detect switch that are part of the socket. Those contacts are not mandatory but if they exist they should be connected as given in the following figure. When DAT3 is used for card detection, R<sub>DAT</sub> for DAT3 should be unconnected and another resistor should be connected to the ground.

R<sub>DAT</sub> and R<sub>CMD</sub> are pull-up resistors protecting the CMD and the DAT lines against bus floating when no card is inserted or when all card drivers are in a high-impedance mode. The host shall pull-up all DAT0-3 lines by R<sub>DAT</sub>, even if the host uses SD Card as 1 bit mode- only in SD mode. Also, the host shall pull-up all "RSV" lines in SPI mode, even though they are not used. R<sub>WP</sub> is used for the Write Protect/Card Detection switch.

*Your Ultimate Memory Solution!*



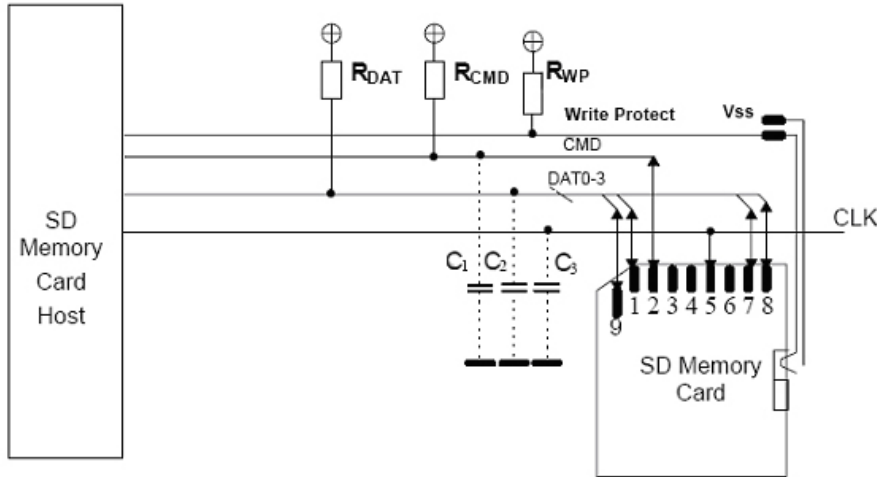


Figure 4-3: Bus circuitry diagram

#### 4.4 Bus Signal Line Load

The total capacitance  $C_L$  of each line of the SD bus is the sum of the bus master capacitance  $C_{HOST}$ , the bus capacitance  $C_{BUS}$  itself and the capacitance  $C_{CARD}$  of each card connected to this line:

$$C_L = C_{HOST} + C_{BUS} + N * C_{CARD}$$

$N$  is the number of connected cards.

PARAMETER	SYMBOL	MIN	MAX.	UNIT	REMARK
Pull-up resistance for CMD	$R_{CMD}$	10	100	Kohm	to prevent bus floating
Pull-up resistance for DAT	$R_{DAT}$	10	100	Kohm	to prevent bus floating
Total bus capacitance for each signal line	$C_L$		40	pF	1 card $C_{HOST} + C_{BUS}$ shall not exceed 30 pF
Single card capacitance	$C_{CARD}$		10	pF	
Maximum signal line inductance			16	nH	$f_{PP} \leq 20$ MHz
Pull-up resistance inside card (pin1)	$R_{DAT3}$	10	90	Kohm	May be used for card detection

Table 4-3: Bus Signal Line Load

Your Ultimate Memory Solution!



### 4.5 Hot Insertion and Removal

To guarantee the proper sequence of card pin connection during hot insertion, the use of either a special hot-insertion capable card connector or an auto-detect loop on the host side (or some similar mechanism) is mandatory. No card shall be damaged by inserting or removing a card into the SD Card bus even when the power (VDD) is up. Data transfer operations are protected by CRC codes, therefore any bit changes induced by card insertion and removal can be detected by the SD Card bus master. The inserted card must be properly reset also when CLK carries a clock frequency  $f_{pp}$ . Each card shall have power protection to prevent card (and host) damage. Data transfer failures induced by removal/insertion are detected by the bus master. They must be corrected by the application, which may repeat the issued command.

### 4.6 Power up

The power up of the SD Card bus is handled locally in each SD Card and in the bus master.

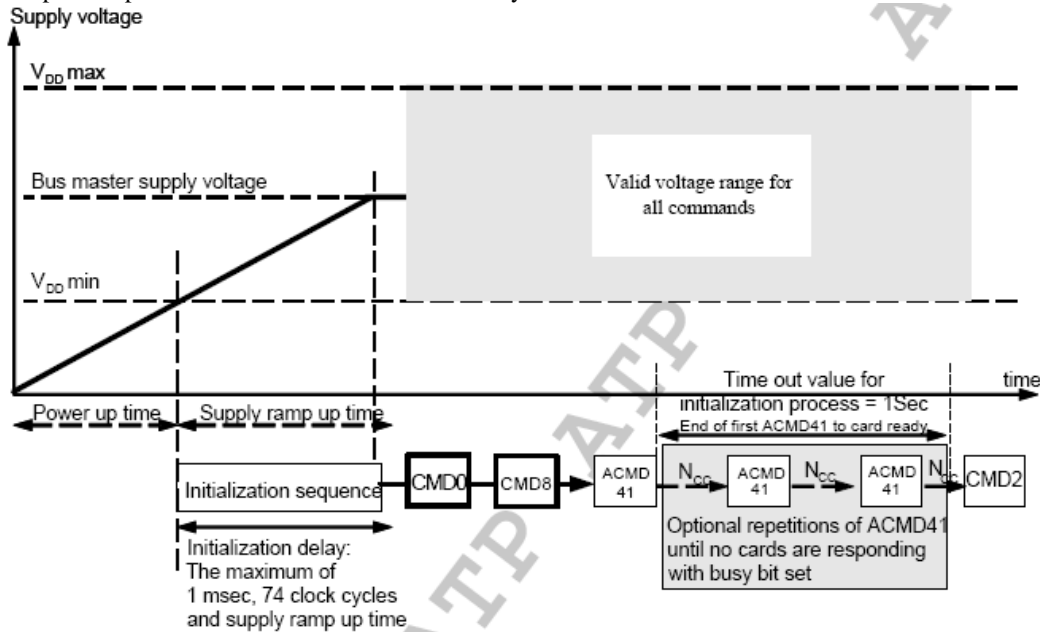


Figure 4-4: Power-up diagram

- ‘Power up time’ is defined as voltage rising time from 0 volt to VDD min and depends on application parameters such as the maximum number of SD Cards, the bus length and the characteristic of the

Your Ultimate Memory Solution!





power supply unit.

- ‘Supply ramp up time’ provides the time that the power is built up to the operating level (the bus master supply voltage) and the time to wait until the SD card can accept the first command.
- The host shall supply power to the card so that the voltage is reached to Vdd\_min within 250ms and start to supply at least 74 SD clocks to the SD card with keeping CMD line to high. In case of SPI mode, CS shall be held to high during 74 clock cycles.
- After power up (including hot insertion, i.e. inserting a card when the bus is operating) the SD Card enters the *idle state*. In case of SD host, CMD0 is not necessary. In case of SPI host, CMD0 shall be the first command to send the card to SPI mode.
- CMD8 is newly added in the Physical Layer Specification Version 2.00 to support multiple voltage ranges and used to check whether the card supports supplied voltage. The version 2.00 host shall issue CMD8 and verify voltage before card initialization. The host that does not support CMD8 shall supply high voltage range.
- ACMD41 is a synchronization command used to negotiate the operation voltage range and to poll the cards until they are out of their power-up sequence. In case the host system connects multiple cards, the host shall check that all cards satisfy the supplied voltage. Otherwise, the host should select one of the cards and initialize.

## 4.7 Compatibility to Multi Media Card

The SD Card protocol is designed to be a super-set of the Multi Media Card Version 2.11 protocol. For complete details refer to Multi Media Card specification.

## 4.8 Card Capacity

- Standard Capacity SD Memory Cards supports capacity up to and including 2 G bytes (231 bytes). All versions of the Physical Specifications define the Standard Capacity SD Memory Card.
- High Capacity SD Memory Cards supports capacity more than 2 G bytes (231 bytes) and this version of specification limits capacity up to and including 32 GB. High Capacity SD Memory Card is newly defined from the Physical Layer Specification Version 2.00. Only hosts that are compliant to the Physical Layer Specification version 2.00 or higher and the SD File System Specification Ver2.00 can access High Capacity SD Memory Cards. Other hosts fail to initialize High Capacity SD Memory Cards.

*Your Ultimate Memory Solution!*



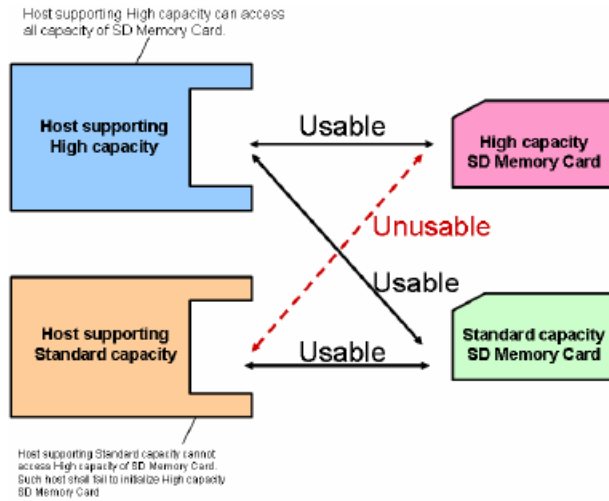


Figure 4-5: Hosts-Cards Usability

## 5 Card Registers

Within the card interface seven registers are defined: OCR, CID, CSD, RCA, SCR, SSR and CSR. These can be accessed only by corresponding commands. The OCR, CID, CSD and SCR registers carry the card/content specific information, while the RCA register is configuration register storing actual configuration parameters and SSR and CSR are two status fields.

### 5.1 OCR Register

The 32-bit operation conditions register stores the VDD voltage profile of the card. In addition, this register includes a status information bit. This status bit is set if the card power up procedure has been finished.

OCR BIT POSITION	VDD VOLTAGE WINDOW
0-6	reserved
7	1.7-1.95
8-14	2.0-2.6
15	2.7-2.8
16	2.8-2.9
17	2.9-3.0
18	3.0-3.1
19	3.1-3.2
20	3.2-3.3
21	3.3-3.4
22	3.4-3.5
23	3.5-3.6
24-29	reserved
30	Card Capacity Status <sup>1</sup>
31	card power up status bit <sup>2</sup>

- 1) This bit is valid only when the card power up status bit is set.
- 2) This bit is set to LOW if the card has not finished the power up routine

**Table 5-1: OCR register definition**

The supported voltage range is coded as shown in Table 5-1. A voltage range is not supported if the corresponding bit value is set to LOW. As long as the card is busy, the corresponding bit (31) is set to LOW.

### 5.2 CID Register

The Card Identification (CID) register is 128 bits wide. It contains the card identification information used during the card identification phase. Every individual flash card shall have a unique identification

*Your Ultimate Memory Solution!*



number. The structure of the CID register is defined in the following paragraphs:

NAME	FIELD	WIDTH	CID-SLICE
Manufacturer ID	MID	8	[127:120]
OEM/Application ID	OID	16	[119:104]
Product name	PNM	40	[103:64]
Product revision	PRV	8	[63:56]
Product serial number	PSN	32	[55:24]
reserved	--	4	[23:20]
Manufacturing date	MDT	12	[19:8]
CRC7 checksum	CRC	7	[7:1]
not used, always '1'	-	1	[0:0]

**Table 5-2: The CID fields**

Comment [Leo3]: 是否要介绍 ATP 的 CID 设置

#### • MID

An 8 bit binary number identifies the card manufacturer. The MID number is controlled, defined and allocated to a SD Card manufacturer by the SD Group. This procedure is established to ensure uniqueness of the CID register.

#### • OID

A 2 ASCII string characters that identifies the card OEM and/or the card contents (when used as a distribution media either on ROM or FLASH cards). The OID number is controlled, defined and allocated to a SD Card manufacturer by the SD Group. This procedure is established to ensure uniqueness of the CID register.

#### • PNM

The product name is a string, 5 ASCII characters long.

#### • PRV

The product revision is composed of two Binary Coded Decimal (BCD) digits, four bits each, representing an “n.m” revision number. The “n” is the most significant nibble and “m” is the least significant nibble. As an example, the PRV binary value field for product revision “6.2” will be: 0110 0010

#### • PSN

The Serial Number is 32 bits of binary number.

#### • MDT

The manufacturing date composed of two hexadecimal digits, one is 8 bit representing the year(y) and the other is four bits representing the month(m). The “m” field [11:8] is the month code. 1 = January.

The “y” field [19:12] is the year code. 0 = 2000. As an example, the binary value of the Date field for

*Your Ultimate Memory Solution!*



production date “April 2001” will be: 00000001 0100.

#### • CRC

CRC7 checksum (7 bits). This is the checksum of the CID contents.

### 5.3 CSD Register

The Card-Specific Data register provides information on how to access the card contents. The CSD defines the data format, error correction type, maximum data access time, whether the DSR register can be used etc. The programmable part of the register (entries marked by W or E, see below) can be changed by CMD27. The type of the entries in the table below is coded as follows: R = readable, W(1) = writable once, W = multiple writable.

NAME	FIELD	WIDTH	CELL TYPE	CSD-SLICE
CSD structure	CSD_STRUCTURE	2	R	[127:126]
reserved	-	6	R	[125:120]
data read access-time-1	TAAC	8	R	[119:112]
data read access-time-2 in CLK cycles (NSAC*100)	NSAC	8	R	[111:104]
max. data transfer rate	TRAN_SPEED	8	R	[103:96]
card command classes	CCC	12	R	[95:84]
max. read data block length	READ_BLK_LEN	4	R	[83:80]
partial blocks for read allowed	READ_BLK_PARTIAL	1	R	[79:79]
write block misalignment	WRITE_BLK_MISALIGN	1	R	[78:78]
read block misalignment	READ_BLK_MISALIGN	1	R	[77:77]
DSR implemented	DSR_IMP	1	R	[76:76]
reserved	-	6	R	[75:70]
device size	C_SIZE	22	R	[69:48]
reserved	-	1	R	[47:47]
erase single block enable	ERASE_BLK_EN	1	R	[46:46]
erase sector size	SECTOR_SIZE	7	R	[45:39]
write protect group size	WP_GRP_SIZE	7	R	[38:32]
write protect group enable	WP_GRP_ENABLE	1	R	[31:31]
reserved		2	R	[30:29]
write speed factor	R2W_FACTOR	3	R	[28:26]
max. write data block length	WRITE_BLK_LEN	4	R	[25:22]
partial blocks for write allowed	WRITE_BLK_PARTIAL	1	R	[21:21]
reserved	-	5	R	[20:16]

Your Ultimate Memory Solution!



File format group	FILE_FORMAT_GRP	1	R	[15:15]
copy flag (OTP)	COPY	1	R/W(1)	[14:14]
permanent write protection	PERM_WRITE_PROTECT	1	R/W(1)	[13:13]
temporary write protection	TMP_WRITE_PROTECT	1	R/W	[12:12]
File format	FILE_FORMAT	2	R	[11:10]
reserved	-	2	R	[9:8]
CRC	CRC	7	R/W	[7:1]
not used, always '1'	-	1	-	[0:0]

**Table 5-3: The CSD Register fields**

The following sections describe the CSD fields and the relevant data types. If not explicitly defined otherwise, all bit strings are interpreted as binary coded numbers starting with the left bit first.

**• CSD\_STRUCTURE**

Version number of the related CSD structure

CSD_STRUCTURE	CSD STRUCTURE VERSION	VALID FOR SD CARD PHYSICAL SPECIFICATION VERSION
0	CSD version 1.0	Version 1.0-1.10 Version 2.00/Standard Capacity
1	CSD version 2.0	Version 2.00 /High Capacity
2-3	reserved	

**Table 5-4: CSD register structure**

**• TAAC**

Defines the asynchronous part of the data access time.

TAAC BIT POSITION	CODE
2:0	time unit
	0=1ns, 1=10ns, 2=100ns, 3=1µs, 4=10µs, 5=100µs, 6=1ms, 7=10ms
6:3	time value
	0=reserved, 1=1.0, 2=1.2, 3=1.3, 4=1.5, 5=2.0, 6=2.5, 7=3.0, 8=3.5, 9=4.0, A=4.5, B=5.0, C=5.5, D=6.0, E=7.0, F=8.0

*Your Ultimate Memory Solution!*



7	reserved
---	----------

**Table 5-5: TAAC access time definition**

**• NSAC**

Defines the worst case for the clock dependent factor of the data access time. The unit for NSAC is 100 clock cycles. Therefore, the maximal value for the clock dependent part of the data access time is 25.5k clock cycles. The total access time NAC is the sum of TAAC and NSAC. It has to be computed by the host for the actual clock rate. The read access time should be interpreted as a typical delay for the first data bit of a data block or stream.

**• TRAN\_SPEED**

The following table defines the maximum data transfer rate per one data line - TRAN\_SPEED:

TRAN_SPEED BIT	CODE
2:0	transfer rate unit
	0=100kbit/s, 1=1Mbit/s, 2=10Mbit/s,
	3=100Mbit/s, 4... 7=reserved
6:3	time value
	0=reserved, 1=1.0, 2=1.2, 3=1.3, 4=1.5,
	5=2.0, 6=2.5, 7=3.0, 8=3.5, 9=4.0,
	A=4.5, B=5.0, C=5.5, D=6.0, E=7.0,
	F=8.0
7	reserved

**Table 5-6: Maximum data transfer rate definition**

Note that for current SD Cards that field is always 0\_0110\_010b (032h) which is equal to 25MHz - the mandatory maximum operating frequency of SD Card. In High-Speed mode, that field is always 0\_1011\_010b (05Ah) which is equal to 50MHz. And when the timing mode returns to the default by CMD6 or CMD0 command, its value will be 032h.

**• CCC**

The SD Card command set is divided into subsets (command classes). The card command class register CCC defines which command classes are supported by this card. A value of '1' in a CCC bit means that the corresponding command class is supported.

CCC BIT	SUPPORTED CARD COMMAND CLASS
0	class 0
1	class 1
.....	
11	class 11

**Table 5-7: Supported card command classes**

*Your Ultimate Memory Solution!*



### • READ\_BL\_LEN

The maximum read data block length is computed as  $2^{\text{READ\_BL\_LEN}}$ . The maximum block length might therefore be in the range 512...2048 bytes. Note that in SD Card the WRITE\_BL\_LEN is always equal to READ\_BL\_LEN

READ_BL_LEN	BLOCK LENGTH	REMARK
0-8	reserved	
9	$2^9 = 512$ Bytes	
.....		
11	$2^{11} = 2048$ Bytes	
12-15	reserved	

**Table 5-8: Data block length**

### • READ\_BL\_PARTIAL (always = 1 in SD Card)

Partial Block Read is always allowed in SD Card. It means that smaller blocks can be used as well. The minimum block size will be one byte.

### • WRITE\_BLK\_MISALIGN

Defines if the data block to be written by one command can be spread over more than one physical block of the memory device. The size of the memory block is defined in WRITE\_BL\_LEN.

WRITE\_BLK\_MISALIGN=0 signals that crossing physical block boundaries is invalid.

WRITE\_BLK\_MISALIGN=1 signals that crossing physical block boundaries is allowed.

### • READ\_BLK\_MISALIGN

Defines if the data block to be read by one command can be spread over more than one physical

block of the memory device. The size of the memory block is defined in READ\_BL\_LEN.

READ\_BLK\_MISALIGN=0 signals that crossing physical block boundaries is invalid.

READ\_BLK\_MISALIGN=1 signals that crossing physical block boundaries is allowed.

### • DSR\_IMP

Defines if the configurable driver stage is integrated on the card. If set, a driver stage register (DSR) must be implemented also.

*Your Ultimate Memory Solution!*





**• C\_SIZE**

This field is expanded to 22 bits and can indicate up to 2 TBytes (It is the same as the maximum memory space specified by a 32-bit block address.)

This parameter is used to calculate the user data area capacity in the SD memory card (not include the protected area). The user data area capacity is calculated from C\_SIZE as follows:

$$\text{memory capacity} = (\text{C\_SIZE}+1) * 512\text{K byte}$$

As the maximum capacity of the Physical Layer Specification Version 2.00 is 32 GB, the upper 6 bits of his field shall be set to 0.

**• ERASE\_BLK\_EN**

This field is fixed to 1, which means the host can erase one or multiple units of 512 bytes.

**• SECTOR\_SIZE**

This field is fixed to 7Fh, which indicates 64 KBytes. This value does not relate to erase operation. Version 2.00 cards indicates memory boundary by AU size and this field should not be used.

**• WP\_GRP\_SIZE**

This field is fixed to 00h. The High Capacity SD Memory Card does not support write protected groups.

**• WP\_GRP\_ENABLE**

This field is fixed to 00h. The High Capacity SD Memory Card does not support write protected groups.

**• R2W\_FACTOR**

This field is fixed to 2h, which indicates 4 multiples. Write timeout can be calculated by multiplying the read access time and R2W\_FACTOR. However, the host should not use this factor and should use 250 ms for write timeout.

**• WRITE\_BL\_LEN**

This field is fixed to 9h, which indicates WRITE\_BL\_LEN=512 Byte.

**• WRITE\_BL\_PARTIAL**

This field is fixed to 0, which indicates partial block read is inhibited and only unit of block access is allowed.

**• FILE\_FORMAT\_GRP**

This field is set to 0. Host should not use this field.

.

*Your Ultimate Memory Solution!*



**• COPY**

Defines if the contents is original (= '0') or has been copied (= '1'). The COPY bit for OTP and MTP devices, sold to end consumers, is set to '1' which identifies the card contents as a copy. The COPY bit is an one time programmable bit.

**• PERM\_WRITE\_PROTECT**

Permanently protects the whole card content against overwriting or erasing (all write and erase commands for this card are permanently disabled). The default value is '0', i.e. not permanently write protected.

**• TMP\_WRITE\_PROTECT**

Temporarily protects the whole card content from being overwritten or erased (all write and erase commands for this card are temporarily disabled). This bit can be set and reset. The default value is '0', i.e. not write protected.

**• FILE\_FORMAT**

This field is set to 0.

**• CRC**

The CRC field carries the check sum for the CSD contents. The checksum has to be recalculated by the host for any CSD modification. The default corresponds to the initial CSD contents.

## 5.4 RCA Register

The writable 16-bit relative card address register carries the card address that is published by the card during the card identification. This address is used for the addressed host-card communication after the card identification procedure. The default value of the RCA register is 0x0000. The value 0x0000 is reserved to set all cards into the Stand-by State with CMD7.

## 5.5 SCR Register

In addition to the CSD register there is another configuration register that named - SD CARD Configuration Register (SCR). SCR provides information on SD Card's special features that were configured into the given card. The size of SCR register is 64 bit. This register is set in the factory by ATP.

The following table describes the SCR register content.

*Your Ultimate Memory Solution!*



DESCRIPTION	FIELD	WIDTH	CELL TYP	SCR SLICE
SCR Structure	SCR_STRUCTURE	4	R	[63:60]
SD Card - Spec. Version	SD_SPEC	4	R	[59:56]
data_status_after erases	DATA_STAT_AFTER_ERASE	1	R	[55:55]
SD Security Support	SD_SECURITY	3	R	[54:52]
DAT Bus widths supported	SD_BUS_WIDTHS	4	R	[51:48]
reserved	-	16	R	[47:32]
reserved for manufacturer usage	-	32	R	[31:0]

Table 5-16: The SCR Fields

- **SCR\_STRUCTURE**

Version number of the related SCR structure in the SD Card Physical Layer Specification.

SCR_STRUCTURE	SCR STRUCTURE VERSION	VALID FOR SD PHYSICAL LAYER SPECIFICATION VERSION
0	SCR version No. 1.0	Version 1.01-2.00
1-15	reserved	

Table 5-9: SCR register structure version

- **SD\_SPEC**

Describes the SD Card Physical Layer Specification version supported by this card.

SD_SPEC	PHYSICAL LAYER SPECIFICATION VERSION NUMBER
0	Version 1.0-1.01
1	Version 1.10
2	Version 2.00
3-15	reserved

Table 5-10: SD Card Physical Layer Specification Version

- **DATA\_STAT\_AFTER\_ERASE**

Defines the data status after erase, whether it is '0' or '1'.

- **SD\_SECURITY**

*Your Ultimate Memory Solution!*



Describes the security algorithm supported by the card.

SD_SECURITY	SUPPORTED ALGORITHM
0	no security
1	Not used
2	Version 1.01
3	Version 2.0
4-7	reserved

**Table 5-11: SD Supported security algorithm**

#### • SD\_BUS\_WIDTHS

Describes all the DAT bus widths that are supported by this card.

SD_BUS_WIDTHS	SUPPORTED BUS WIDTHS
Bit 0	1 bit (DAT0)
Bit 1	reserved
Bit 2	4 bit (DAT0-3)
Bit 3 [MSB]	reserved

**Table 5-12: SD Card Supported Bus Widths**

## 5.6 SSR Register

SD Status; information about the card proprietary features (See 6.5)

## 5.7 CSR Register

Card Status; information about the card status (See 6.5).

## 6 SD Card Functional Description

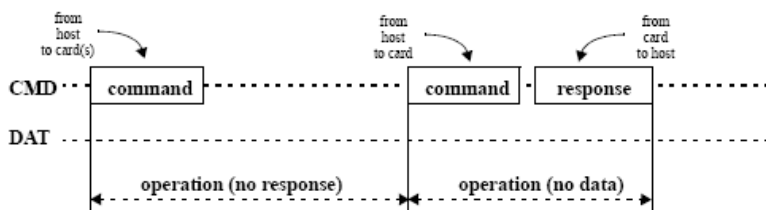
### 6.1 SD BUS Protocol

Communication over the SD bus is based on command and data bit streams which are initiated by a start bit and terminated by a stop bit.

- **Command:** a command is a token which starts an operation. A command is sent from the host either to a single card (addressed command) or to all connected cards (broadcast command). A command is transferred serially on the CMD line.

- **Response:** a response is a token which is sent from an addressed card, or (synchronously) from all connected cards, to the host as an answer to a previously received command. A response is transferred serially on the CMD line.

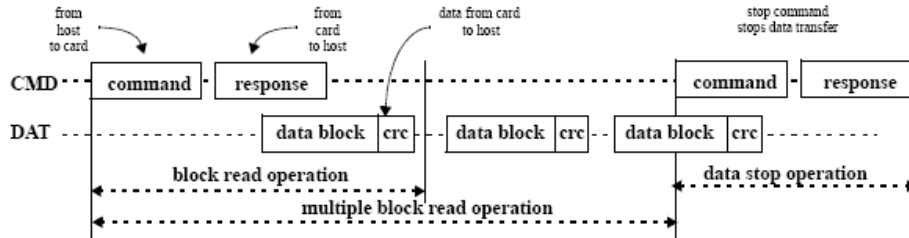
- **Data:** data can be transferred from the card to the host or vice versa. Data is transferred via the data lines.



**Figure 6-1: “no response” And “no data” Operations**

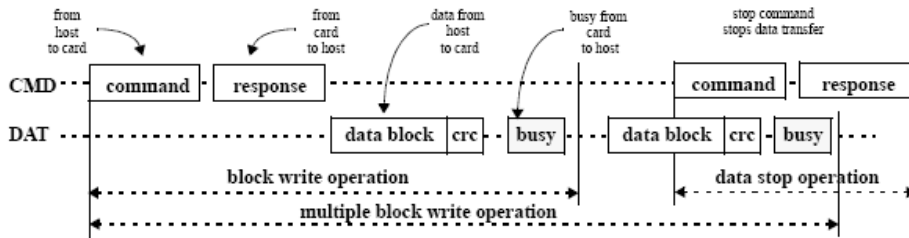
Card addressing is implemented using a session address, assigned to the card during the initialization phase. The basic transaction on the SD bus is the command/response transaction. This type of bus transactions transfers their information directly within the command or response structure. In addition, some operations have a data token.

Data transfers to/from the SD Card are done in blocks. Data blocks always were succeeded by CRC bits. Single and multiple block operations are defined. Note that the Multiple Block operation mode is better for faster write operation. A multiple block transmission is terminated when a stop command follows on the CMD line. Data transfer can be configured by the host to use single or multiple data lines.



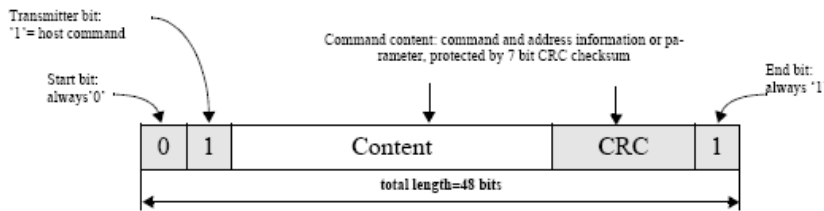
**Figure 6-2: (Multiple) Block Read Operation**

The block write operation uses a simple busy signaling of the write operation duration on the DAT0 data line regardless of the number of data lines used for transferring the data

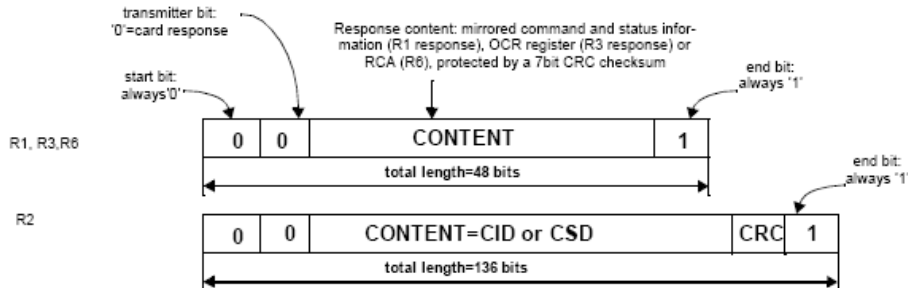


**Figure 6-3: (Multiple) Block Write Operation**

Command tokens have the following coding scheme:



**Figure 6-4: Command Token Format**

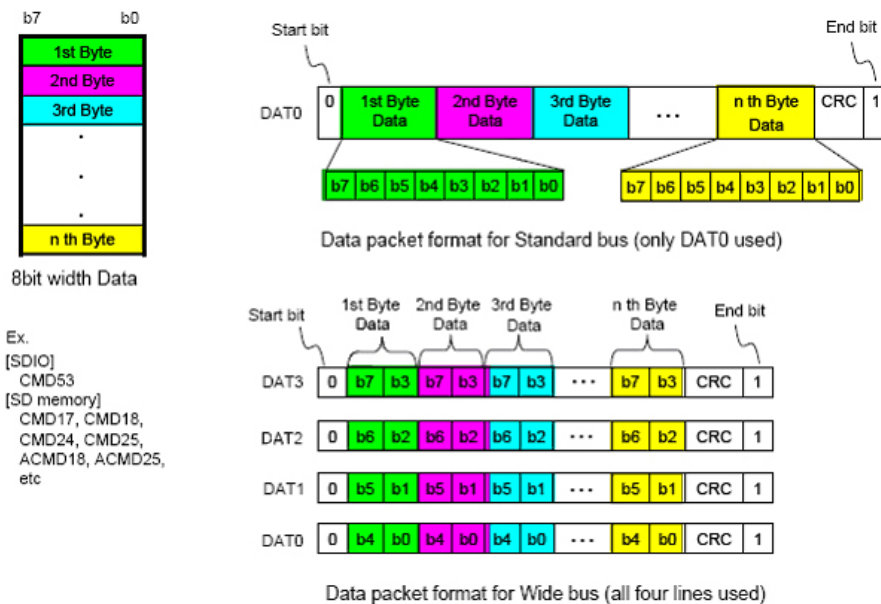


**Figure 6-5: Response Token Format**

In the CMD line the MSB bit is transmitted first the LSB bit is the last. When the wide bus option is used, the data is transferred 4 bits at a time. Start and end bits, as well as the CRC bits, are transmitted for every one of the DAT lines. CRC bits are calculated and checked for every DAT line individually. The CRC status response and Busy indication will be sent by the card to the host on DAT0 only (DAT1-DAT3 during that period are don't care).

There are two types of Data packet format for the SD card.

(1) Usual data (8 bit width) The usual data (8 bit width) are sent in LSB (Least Significant Byte) first, MSB (Most Significant Byte) last manner. But in the individual byte it is MSB (Most Significant Bit) first, LSB (Least Significant Bit) last.



**Figure 6-6: Data packet format - Usual data**

*Your Ultimate Memory Solution!*



(2) Wide width data (SD Memory Register) The wide width data is shifted from MSB bit.



Figure 6-7: Data packet format - Wide width data

## 6.2 Command

### 6.2.1 Command Types and Format

All communication between host and cards is controlled by the host (master). The host sends commands of two types: broadcast and addressed (point-to-point) commands.

- **Broadcast commands**

Broadcast commands are intended for all cards. Some of these commands require a response.

- **Addressed (point-to-point) commands**

The addressed commands are sent to the addressed card and cause a response from this card.

- **Command Format**

All commands have a fixed code length of 48 bits, needing a transmission time of 2.4 μs @ 20 MHz

*Your Ultimate Memory Solution!*





<b>Bit position</b>	47	46	[45:40]	[39:8]	[7:1]	0
<b>Width (bits)</b>	1	1	6	32	7	1
<b>Value</b>	'0'	'1'	x	x	x	'1'
<b>Description</b>	start bit	transmission bit	command index	argument	CRC7	end bit

**Table 6-1: Command Format**

A command always starts with a start bit (always '0'), followed by the bit indicating the direction of transmission (host = '1'). The next 6 bits indicate the index of the command, this value being interpreted as a binary coded number (between 0 and 63). Some commands need an argument (e.g. an address), which is coded by 32 bits. A value denoted by 'x' in the table above indicates this variable is dependent on the command. All commands are protected by a CRC. Every command codeword is terminated by the end bit (always '1'). All commands and their arguments are listed in Table 6-3-Table 6-11.

**6.2.2 Command Classes**

The command set of the SD Card system is divided into several classes (See Table 6-2). Each class supports a set of card functionalities.

Class 0, 2, 4, 5 and 8 are mandatory supported by ATP SD Cards. The other classes are optional. The supported Card Command Classes (CCC) are coded as a parameter in the card specific data (CSD) register of each card, providing the host with information on how to access the card.

Comment [Leo4]: ATP 支持?

	CARD COMMAND CLASS	0	1	2	3	4	5	6	7	8	9	10	11
		basic	reserved	block read	Reserved	block write	erase	write protection	lock card	application specific	I/O mode	switch	reserved
<b>SUPPORTED COMMANDS</b>	class description												
CMD0	Mandatory	+											
CMD2	Mandatory	+											
CMD3	Mandatory	+											
CMD4	Mandatory	+											
CMD5	Optional										+		
CMD6	Mandatory											+	
CMD7	Mandatory	+											
CMD8	Mandatory	+											

Your Ultimate Memory Solution!





### 6.2.3 • Detailed Command Description

The following tables define in detail all SD Card bus commands.

CMD INDEX	TYPE	ARGUMENT	RESP	ABBREVIATION	COMMAND DESCRIPTION
CMD0	bc	[31:0] stuff bits	-	GO_IDLE_STATE	resets all cards to idle state
CMD1	reserved				
CMD2	bcr	[31:0] stuff bits	R2	ALL_SEND_CID	asks any card to send the CID numbers on the CMD line (any card that is connected to the host will respond)
CMD3	bcr	[31:0] stuff bits	R6	SEND_RELATIVE_ADDR	ask the card to publish a new relative address (RCA)
CMD5	reserved for I/O cards (refer to "SDIO Card Specification")				
CMD7	ac	[31:16] RCA [15:0] stuff bits	R1b (only from the selected card)	SELECT/DESELECT_CARD	command toggles a card between the stand-by and transfer states or between the programming and disconnect states. In both cases the card is selected by its own relative address and gets deselected by any other address; address 0 deselected all. In case that the RCA equal 0 then the host may do one of the following: - Use other RCA number to perform card deselection. - Re-send CMD3 to change its RCA number to other than 0 and then use CMD7 with RCA=0 for card de-selection.
CMD8	bcr	[31:12]reserved bits [11:8]supply voltage(VHS) [7:0]check pattern	R7	SEND_IF_COND	Sends SD Memory Card interface condition, which includes host supply voltage information and asks the card whether card supports voltage. Reserved bits shall be set to '0'.
CMD9	ac	[31:16] RCA [15:0] stuff bits	R2	SEND_CSD	addressed card sends its card-specific data (CSD) on the CMD line.
CMD10	ac	[31:16] RCA [15:0] stuff bits	R2	SEND_CID	addressed card sends its card identification (CID) on CMD the line.
CMD11	reserved				
CMD12	ac	[31:0] stuff bits	R1b	STOP_TRANSMISSION	forces the card to stop transmission
CMD13	ac	[31:16] RCA [15:0] stuff bits	R1	SEND_STATUS	addressed card sends its status register.
CMD14	reserved				
CMD15	ac	[31:16] RCA [15:0] stuff bits	-	GO_INACTIVE_STATE	sets the card to inactive state in order to protect the card stack against communication breakdowns.

**Table 6-3: Basic commands (class 0)**

*Your Ultimate Memory Solution!*



CMD INDEX	TYPE	ARGUMENT	RESP	ABBREVIATION	COMMAND DESCRIPTION
CMD16	ac	[31:0] block length	R1	SET_BLOCKLEN	In the case of a Standard Capacity SD Memory Card, this command sets the block length (in bytes) for all following block commands (read, write, lock). Default block length is fixed to 512 Bytes. Set length is valid for memory access commands only if partial block read operation are allowed in CSD. In the case of a High Capacity SD Memory Card, block length set by CMD16 command does not affect the memory read and write commands. Always 512 Bytes fixed block length is used. This command is effective for LOCK_UNLOCK command. In both cases, if block length is set larger than 512Bytes, the card sets the BLOCK_LEN_ERROR bit.
CMD17	adtc	[31:0] data address	R1	READ_SINGLE_BLOCK	In the case of a Standard Capacity SD Memory Card, this command, this command reads a block of the size selected by the SET_BLOCKLEN command <sup>1</sup> . In the case of a High Capacity Card, block length is fixed 512 Bytes regardless of the SET_BLOCKLEN command.
CMD18	adtc	[31:0] data address	R1	READ_MULTIPLE_BLOCK	continuously transfers data blocks from card to host until interrupted by a STOP_TRANSMISSION command.
CMD19	reserved				
...					
CMD23					

1) The data transferred must not cross a physical block boundary unless READ\_BLK\_MISALIGN is set in the CSD.

**Table 6-2: Block oriented read commands (class 2)**



CMD INDEX	TYPE	ARGUMENT	RESP	ABBREVIATION	COMMAND DESCRIPTION
CMD16	ac	[31:0] block length	R1	SET_BLOCKLEN	In the case of a Standard Capacity SD Memory Card, this command sets the block length (in bytes) for all following block commands (read, write, lock). Default block length is fixed to 512 Bytes. Set length is valid for memory access commands only if partial block read operation are allowed in CSD. In the case of a High Capacity SD Memory Card, block length set by CMD16 command does not affect the memory read and write commands. Always 512 Bytes fixed block length is used. This command is effective for LOCK_UNLOCK command. In both cases, if block length is set larger than 512Bytes, the card sets the BLOCK_LEN_ERROR bit.
CMD24	adtc	[31:0] data address	R1	WRITE_BLOCK	In the case of a Standard Capacity SD Memory Card, this command writes a block of the size selected by the SET_BLOCKLEN command <sup>1</sup> . In the case of a High Capacity Card, block length is fixed 512 Bytes regardless of the SET_BLOCKLEN command.
CMD25	adtc	[31:0] data address	R1	WRITE_MULTIPLE_BLOCK	continuously writes blocks of data until a STOP_TRANSMISSION follows.
CMD26	Reserved For Manufacturer				
CMD27	adtc	[31:0] stuff bits	R1	PROGRAM_CSD	programming of the programmable bits of the CSD.

- 1) The data transferred must not cross a physical block boundary unless WRITE\_BLK\_MISALIGN is set in the CSD. In case that write partial blocks is not supported then the block length=default block length (given in CSD).

**Table 6-4: Block oriented write commands (class 4)**



CMD INDEX	TYPE	ARGUMENT	RESP	ABBREVIATION	COMMAND DESCRIPTION
CMD28	ac	[31:0] data address	R1b	SET_WRITE_PROT	if the card has write protection features, this command sets the write protection bit of the addressed group. The properties of write protection are coded in the card specific data (WP_GRP_SIZE).
CMD29	ac	[31:0] data address	R1b	CLR_WRITE_PROT	if the card provides write protection features, this command clears the write protection bit of the addressed group.
CMD30	adtc	[31:0] write protect data address	R1	SEND_WRITE_PROT	if the card provides write protection features, this command asks the card to send the status of the write protection bits. <sup>1</sup>
CMD31	reserved				

1)32 write protection bits (representing 32 write protect groups starting at the specified address) followed by 16 CRC bits are transferred in a payload format via the data line. The last (least significant) bit of the protection bits corresponds to the first addressed group. If the addresses of the last groups are outside the valid range, then the corresponding write protection bits shall be set to zero

**Table 6-5: Block oriented write protection commands (class 6)**

CMD INDEX	TYPE	ARGUMENT	RESP	ABBREVIATION	COMMAND DESCRIPTION
CMD32	ac	[31:0] data address	R1	ERASE_WR_BLK_START	sets the address of the first write-block to be erased.
CMD33	ac	[31:0] data address	R1	ERASE_WR_BLK_END	sets the address of the last write block of the continuous range to be erased.
CMD38	ac	[31:0] stuff bits	R1b	ERASE	erases all previously selected write blocks.
CMD39	reserved				
CMD40					Non Valid in SD Card - Reserved for MultiMediaCard I/O mode
CMD41	reserved				

**Table 6-6: Erase commands (class 5)**

*Your Ultimate Memory Solution!*



CMD INDEX	TYPE	ARGUMENT	RESP	ABBREVIATION	COMMAND DESCRIPTION
CMD16	ac	[31:0] block length	R1	SET_BLOCKLEN	<p>In the case of a Standard Capacity SD Memory Card, this command sets the block length (in bytes) for all following block commands (read, write, lock). Default block length is fixed to 512 Bytes.</p> <p>Set length is valid for memory access commands only if partial block read operation are allowed in CSD.</p> <p>In the case of a High Capacity SD Memory Card, block length set by CMD16 command does not affect the memory read and write commands. Always 512 Bytes fixed block length is used. This command is effective for LOCK_UNLOCK command.</p> <p>In both cases, if block length is set larger than 512Bytes, the card sets the <b>BLOCK_LEN_ERROR</b> bit.</p>
CMD42	adtc	[31:0] stuff bits.	R1	LOCK_UNLOCK	Used to set/reset the password or lock/unlock the card. The size of the data block is set by the SET_BLOCK_LEN command.
CMD43-49	reserved				
CMD51	reserved				

Table 6-7: Lock card (class 7)

CMD INDEX	TYPE	ARGUMENT	RESP	ABBREVIATION	COMMAND DESCRIPTION
CMD55	ac	[31:16] RCA [15:0] stuff bits	R1	APP_CMD	Indicates to the card that the next command is an application specific command rather than a standard command
CMD56	adtc	[31:1] stuff bits. [0]: RD/WR1	R1	GEN_CMD	Used either to transfer a data block to the card or to get a data block from the card for general purpose/application specific commands. In the case of a Standard Capacity SD Memory Cards, the size of the data block shall be set by the SET_BLOCK_LEN command. In the case of a High Capacity SD Memory Cards, the size of the data block is fixed to 512 byte. The host sets RD/WR=1 for reading data from the card and sets to 0 for writing data to the card.
CMD58-59	reserved				
CMD60-63	reserved for manufacturer				

1) RD/WR: “1” the host gets a block of data from the card. “0” the host sends block of data to the card. All the application specific commands (given in Table 21) are supported if Class 8 is allowed (mandatory in SD Card).

**Table 6-8: Application specific commands (class 8)**

CMD INDEX	TYPE	ARGUMENT	RESP	ABBREVIATION	COMMAND DESCRIPTION
CMD52. CMD54	reserved for I/O mode (refer to "SDIO Card Specification")				

**Table 6-9: I/O mode commands (class 9)**

The following table describes all the application specific commands supported/reserved by the SD Card. All the following ACMDs shall be preceded with APP\_CMD command (CMD55).

CMD INDEX	TYPE	ARGUMENT	RESP	ABBREVIATION	COMMAND DESCRIPTION
-----------	------	----------	------	--------------	---------------------





ACMD6	ac	[31:2] stuff bits [1:0]bus width	R1	SET_BUS_WIDTH	Defines the data bus width ('00'=1bit or '10'=4 bits bus) to be used for data transfer. The allowed data bus widths are given in SCR register.
ACMD13	adtc	[31:0] stuff bits	R1	SD_STATUS	Send the SD Card status.
ACMD17	reserved				
ACMD18	--	--	--	--	Reserved for SD security applications1
ACMD19 to ACMD21	reserved				
ACMD22	adtc	[31:0] stuff bits	R1	SEND_NUM_WR_BLOCKS	Send the number of the written (without errors) write blocks. Responds with 32bit+CRC data block. If WRITE_BL_PARTIAL='0', the unit of ACMD22 is always 512byte.If WRITE_BL_PARTIAL='1', the unit of ACMD22 is a block length which was used when the write command was executed.
ACMD23	ac	[31:23] stuff bits [22:0]Number of blocks	R1	SET_WR_BLK_ERASE_COUNT	Set the number of write blocks to be pre-erased before writing (to be used for faster Multiple Block WR command). "1"=default (one wr block)(2).
ACMD24	reserved				
ACMD25	--	--	--	--	Reserved for SD security applications1
ACMD26	--	--	--	--	Reserved for SD security applications1
ACMD38	--	--	--	--	Reserved for SD security applications1
ACMD39 to ACMD40	reserved				
ACMD41	bcr	[31]reserved bit [30]HCS(OCR[30]) [29:24]reserved bits [23:0] VDD Voltage Window(OCR[23:0])	R3	SD_SEND_OP_COND	Asks the accessed card to send its operating condition register (OCR) content in the response on the CMD line.
ACMD42	ac	[31:1] stuff bits [0]set_cd	R1	SET_CLR_CARD_DETECT	Connect[1]/Disconnect[0] the 50KOhm pull-up resistor on CD/DAT3 (pin 1) of the card.
ACMD43	--	--	--	--	Reserved for SD security applications1

Your Ultimate Memory Solution!



ACMD49					
ACMD51	adtc	[31:0] stuff bits	R1	SEND_SCR	Reads the SD Configuration Register (SCR).

- (1) Refer to “SD Memory Card Security Specification” for detailed explanation about the SD Security Features
- (2) Command STOP\_TRAN (CMD12) shall be used to stop the transmission in Write Multiple Block whether the pre-erase (ACMD23) feature is used or not.

**Table 6-10: Application Specific Commands used/reserved by SD Card**

CMD INDEX	TYPE	ARGUMENT	RESP	ABBREVIATION	COMMAND DESCRIPTION
CMD6	adtc	[31] Mode 0:Check function 1:Switch function [30:24] reserved (All '0') [23:20] reserved for function group 6 (All '0' or 0xF) [19:16] reserved for function group 5 (All '0' or 0xF) [15:12] reserved for function group 4 (All '0' or 0xF) [11:8] reserved for function group 3 (All '0' or 0xF) [7:4] function group 2 for command system [3:0] function group 1 for access mode	R1	SWITCH_FUNC	Checks switchable function (mode 0) and switch card function (mode 1).
CMD34	Reserved for each command system set by switch function command (CMD6).				
CMD35					
CMD36					
CMD37					
CMD50					
CMD57					

**Table 6-11: Switch function commands (class 10)**

### 6.3 Card State Transition Table

Table 6-12 defines the card state transitions in dependency of the received command.

	CURRENT STATE									
	idle	ready	iden	stby	tran	data	rcv	prg	dis	ina
TRIGGER OF STATE CHANGE	changes to									
CLASS INDEPENDENT										
“Operation Complete”	-	-	-	-	-	-	-	tran	stby	-
class 0										
CMD0	idle	idle	idle	idle	idle	idle	idle	idle	idle	-
CMD2	-	ident	-	-	-	-	-	-	-	-
CMD3	-	-	stby	stby	-	-	-	-	-	-

Your Ultimate Memory Solution!



CMD4	-	-	-	stby	-	-	-	-	-	-
CMD7, card is addressed	-	-	-	tran	-	-	-	-	prg	-
CMD7, card is not addressed	-	-	-	stby	stby	stby	-	dis	-	-
CMD8	idle	-	-	-	-	-	-	-	-	-
CMD9	-	-	-	stby	-	-	-	-	-	-
CMD10	-	-	-	stby	-	-	-	-	-	-
CMD12	-	-	-	-	-	tran	prg	-	-	-
CMD13	-	-	-	stby	tran	data	rcv	prg	dis	-
CMD15	-	-	-	ina	ina	ina	ina	ina	ina	-
<b>class 2</b>										
CMD16	-	-	-	-	tran	-	-	-	-	-
CMD17	-	-	-	-	data	-	-	-	-	-
CMD18	-	-	-	-	data	-	-	-	-	-
<b>class 4</b>										
CMD16	see class 2									
CMD24	-	-	-	-	rcv	-	-	-	-	-
CMD25	-	-	-	-	rcv	-	-	-	-	-
CMD27	-	-	-	-	rcv	-	-	-	-	-
<b>class 6</b>										
CMD28	-	-	-	-	prg	-	-	-	-	-
CMD29	-	-	-	-	prg	-	-	-	-	-
CMD30	-	-	-	-	data	-	-	-	-	-
<b>class 5</b>										
CMD32	-	-	-	-	tran	-	-	-	-	-
CMD33	-	-	-	-	tran	-	-	-	-	-
CMD38	-	-	-	-	prg	-	-	-	-	-
<b>class 7</b>										
CMD42	-	-	-	-	rcv	-	-	-	-	-
<b>class 8</b>										
CMD55	idle	-	-	stby	tran	data	rcv	prg	dis	-
CMD56; RD/WR = 0	-	-	-	-	rcv	-	-	-	-	-
CMD56; RD/WR = 1	-	-	-	-	data	-	-	-	-	-
ACMD6	-	-	-	-	tran	-	-	-	-	-
ACMD13	-	-	-	-	data	-	-	-	-	-

Your Ultimate Memory Solution!



	CURRENT STATE									
	idle	ready	ident	stby	tran	dat	rcv	prg	dis	ina
ACMD22	-	-	-	-	data	-	-	-	-	-
ACMD23	-	-	-	-	tran	-	-	-	-	-
ACMD18,25,26,38,43,44,45,46,47,48,49	Refer to "SD Card Security Specification" for explanation about the SD Security Features									
ACMD41, card VDD range compatible	ready	-	-	-	-	-	-	-	-	-
ACMD41, card is busy	idle	-	-	-	-	-	-	-	-	-
ACMD41, card VDD range not compatible	ina	-	-	-	-	-	-	-	-	-
ACMD42	-	-	-	-	tran	-	-	-	-	-
ACMD51	-	-	-	-	data	-	-	-	-	-
<b>class 9</b>										
CMD52-CMD54	refer to "SDIO Card Specification"									
<b>class 10</b>										
CMD6	-	-	-	-	data	-	-	-	-	-
CMD34-37,50,57	-	-	-	-	tran	-	-	-	-	-
<b>class 11</b>										
CMD41; CMD43...CMD49, CMD58-CMD59	reserved									
CMD60...CMD63	reserved for manufacturer									

Table 6-12: Card state transition table



## Responses

All responses are sent via the command line CMD. The response transmission always starts with the left bit of the bit string corresponding to the response codeword. The code length depends on the response type.

A response always starts with a start bit (always '0'), followed by the bit indicating the direction of transmission (card = '0'). A value denoted by 'x' in the tables below indicates a variable entry. All responses except for the type R3 (see below) are protected by a CRC. Every command codeword is terminated by the end bit (always '1'). There are five types of responses for SD Card. Their formats are defined as follows:

- **R1** (normal response command): code length 48 bit. The bits 45:40 indicate the index of the command to be responded to, this value being interpreted as a binary coded number (between 0 and 63). The status of the card is coded in 32 bits. Note that in case that data transfer to the card is involved then a busy signal may appear on the data line after the transmission of each block of data. The host shell check for busy after data block transmission.

<b>Bit position</b>	47	46	[45:40]	[39:8]	[7:1]
<b>Width (bits)</b>	1	1	6	32	7
<b>Value</b>	'0'	'0'	x	x	x
<b>Description</b>	start bit	transmission bit	command index	card status	CRC7

**Table 6-13: Response R1**

- **R1b** is identical to R1 with an optional busy signal transmitted on the data line. The card may become busy after receiving these commands based on its state prior to the command reception. The Host shell check for busy at the response. Refer to Chapter 4.12.3 for detailed description and timing diagrams.

- **R2** (CID, CSD register): code length 136 bits. The contents of the CID register are sent as a response to the commands CMD2 and CMD10. The contents of the CSD register are sent as a response to CMD9. Only the bits [127...1] of the CID and CSD are transferred, the reserved bit [0] of these registers is replaced by the end bit of the response.

<b>Bit position</b>	135	134	[133:128]	[127:1]	0
<b>Width (bits)</b>	1	1	6	127	1
<b>Value</b>	'0'	'0'	'111111'	x	'1'
<b>Description</b>	start bit	transmission bit	reserved	CID or CSD register incl. internal CRC7	end bit

**Table 6-14: Response R2**

*Your Ultimate Memory Solution!*



- **R3** (OCR register): code length 48 bits. The contents of the OCR register is sent as a response to ACMD41.

<b>Bit position</b>	47	46	[45:40]	[39:8]	[7:1]	0
<b>Width (bits)</b>	1	1	6	32	7	1
<b>Value</b>	'0'	'0'	'111111'	x	'1111111'	'1'
<b>Description</b>	start bit	transmission bit	reserved	OCR register	reserved	end bit

**Table 6-15: Response R3**

- **R6** (Published RCA response): code length 48 bit. The bits 45:40 indicate the index of the

<b>Bit position</b>	47	46	[45:40]	[39:8]	Argument field	[7:1]	0
<b>Width (bits)</b>	1	1	6	16	16	7	1
<b>Value</b>	'0'	'0'	x	x	x	x	'1'
<b>Description</b>	start bit	transmission bit	command index ('000011')	New published RCA [31:16] of the card	[15:0] card status bits: 23,22,19,12:0 (see Table 30)	CRC 7	end bit

**Table 6-16: Response R6**

command to be responded to - in that case it will be '000011' (together with bit 5 in the status bits it means = CMD3). The 16 MSB bits of the argument field are used for the Published RCA number.

- **R7**(Card interface condition): Code length is 48 bits. The card support voltage information is sent by the response of CMD8. Bits 19-16 indicate the voltage range that the card supports. The card that accepted the supplied voltage returns R7 response. In the response, the card echoes back both the voltage range and check pattern set in the argument.

<b>Bit position</b>	47	46	[45:40]	[39:20]	[19:16]	[15:8]	[7:1]	0
<b>Width (bits)</b>	1	1	6	20	4	8	7	1
<b>Value</b>	'0'	'0'	'001000'	'00000h'	x	x	x	'1'

<b>Description</b>	start bit	transmission bit	command index	reserved bits	voltage accepted	echo-back of check pattern	CRC 7	end bit
--------------------	-----------	------------------	---------------	---------------	------------------	----------------------------	-------	---------

**Table 6-17: Response R7**

Table 6-18 shows the format of 'voltage accepted' in R7.

<b>voltage accepted</b>	<b>Value Definition</b>
0000b	Not Defined
0001b	2.7-3.6V
0010b	Reserved for Low Voltage Range
0100b	Reserved
1000b	Reserved
Others	Not Defined

**Table 6-18: Voltage Accepted in R7**



## 6.4 SD Card Status

SD Card supports two card status field as follows:

- ‘*Card Status*’: compatible to the MultiMediaCard protocol.
- ‘*SD\_Status*’: Extended status field of 512bits that supports special features of the SD Card and future Application Specific features.

### 6.4.1 Card Status

The response format R1 contains a 32-bit field named *card status*. This field is intended to transmit the card’s status information (which may be stored in a local status register) to the host. If not specified otherwise, the status entries are always related to the previous issued command. The semantics of this register is according to the CSD entry SPEC\_VERS, indicating the version of the response formats (possibly used for later extensions). Table 6-19 defines the different entries of the status. The type and clear condition fields in the table are abbreviated as follows:

• **Type:**

E: Error bit.

S: Status bit.

R: Detected and set for the actual command response.

X: Detected and set during command execution. The host must poll the card by issuing the status command in order to read these bits.

• **Clear Condition:**

A: According to the card current state.

B: Always related to the previous command. Reception of a valid command will clear it (with a delay of one command).

C: Clear by read.



Bit s	Identifier	Type	Value	Description	Clear Condi-tion
31	OUT_OF_RANGE	E R X	'0' = no error '1' = error	The command's argument was out of the allowed range for this card.	C
30	ADDRESS_ERROR	E R X	'0' = no error '1' = error	A misaligned address which did not match the block length was used in the command.	C
29	BLOCK_LEN_ERROR	E R X	'0' = no error '1' = error	The transferred block length is not allowed for this card, or the number of transferred bytes does not match the block length.	C
28	ERASE_SEQ_ERROR	E R	'0' = no error '1' = error	An error in the sequence of erase commands occurred.	C
27	ERASE_PARAM	E R X	'0' = no error '1' = error	An invalid selection of write-blocks for erase occurred.	C
26	WP_VIOLATION	E R X	'0' = not protected '1' = protected	Attempt to program a write protected block.	C
25	CARD_IS_LOCKED	S X	'0' = card unlocked '1' = card locked	When set, signals that the card is locked by the host	A

Bits	Identifier	Type	Value	Description	Clear Condi-tion
24	LOCK_UNLOCK_FAILED	E R X	'0' = no error '1' = error	Set when a sequence or password error has been detected in lock/unlock card command.	C
23	COM_CRC_ERROR	E R	'0' = no error '1' = error	The CRC check of the previous command failed.	B
22	ILLEGAL_COMMAND	E R	'0' = no error '1' = error	Command not legal for the card state	B
21	CARD_ECC_FAILED	E R X	'0' = success '1' = failure	Card internal ECC was applied but failed to correct the data.	C
20	CC_ERROR	E R X	'0' = no error '1' = error	Internal card controller error	C
19	ERROR	E R X	'0' = no error '1' = error	A general or an unknown error occurred during the operation.	C

Your Ultimate Memory Solution!



17, 18	reserved				
16	CSD_OVERWRITE	E R X	'0' = no error '1' = error	can be either one of the following errors: - The read only section of the CSD does not match the card content. - An attempt to reverse the copy (set as original) or permanent WP (unprotected) bits was made.	C
15	WP_ERASE_SKIP	S X	'0' = not protected '1' = protected	Only partial address space was erased due to existing write protected blocks.	C
14	CARD_ECC_DISABLED	S X	'0' = enabled '1' = disabled	The command has been executed without using the internal ECC.	A
13	ERASE_RESET	S R	'0' = cleared '1' = set	An erase sequence was cleared before executing because an out of erase sequence command was received	C
12:9	CURRENT_STATE	S X	0 = idle 1 = ready 2 = ident 3 = stby 4 = tran 5 = data; 6 = rcv; 7 = prg 8 = dis 9-14 = reserved 15 = reserved	The state of the card when receiving the command. If the command execution causes a state change, it will be visible to the host in the response to the next command. The four bits are interpreted as a binary coded number between 0 and 15.	B
8	READY_FOR_DATA	S X	'0' = not ready '1' = ready	corresponds to buffer empty signaling on the bus	A
7,6	reserved				
5	APP_CMD	S R	'0' = Disabled '1' = Enabled	The card will expect ACMD, or indication that the command has been interpreted as ACMD	C
4	reserved				
3	AKE_SEQ_ERROR	E R	'0' = no error '1' = error	Error in the sequence of authentication process	
2,1,0	reserved				

**Table 6-19: Card status**

Your Ultimate Memory Solution!



The following table defines for each command responded by a R1 response the affected bits in the status field. An 'x' means the error/status bit may be set in the response to the respective command.

CMD#	Response Format 1 Status bit #																						
	31	30	29	28	27	26	25	24	23	22	21	20	19	18	17	16	15	14	13	12:9	8	5	
3									x	x			x								x		
6	x						x		x	x	x	x	x	x	x						x		
7					x	x	x	x	x	x	x	x	x	x	x	x	x	x	x	x	x	x	
12	x	x				x	x		x	x	x	x	x	x				x		x			
13	x	x			x	x	x	x	x	x	x	x	x	x	x	x	x	x	x		x	x	
16			x		x	x	x	x	x	x	x	x	x	x	x	x	x	x	x	x	x		
17	x	x			x	x	x	x	x	x	x	x	x	x	x	x	x	x	x	x	x		
18	x	x			x	x	x	x	x	x	x	x	x	x	x	x	x	x	x	x	x		
24	x	x	x		x	x	x	x	x	x	x	x	x	x	x	x	x	x	x	x	x	x	
25	x	x	x		x	x	x	x	x	x	x	x	x	x	x	x	x	x	x	x	x	x	
26					x	x	x	x	x	x	x	x	x	x	x	x	x	x	x	x	x		
27					x	x	x	x	x	x	x	x	x	x	x	x	x	x	x	x	x		
28	x				x	x	x	x	x	x	x	x	x	x	x	x	x	x	x	x	x		
29	x				x	x	x	x	x	x	x	x	x	x	x	x	x	x	x	x	x		
30	x				x	x	x	x	x	x	x	x	x	x	x	x	x	x	x	x	x		
32	x			x	x	x	x	x	x	x	x	x	x	x	x	x	x	x	x	x	x		
33	x			x	x	x	x	x	x	x	x	x	x	x	x	x	x	x	x	x	x		
38				x	x	x	x	x	x	x	x	x	x	x	x	x	x	x	x	x	x		
42					x	x	x	x	x	x	x	x	x	x	x	x	x	x	x	x	x		
55					x	x	x	x	x	x	x	x	x	x	x	x	x	x	x	x	x		x
56					x	x	x	x	x	x	x	x	x	x	x	x	x	x	x	x	x	x	x
ACMD 6	x				x	x	x	x	x	x	x	x	x	x	x	x	x	x	x	x	x		x
ACMD 13					x	x	x	x	x	x	x	x	x	x	x	x	x	x	x	x	x		x
ACMD 22					x	x	x	x	x	x	x	x	x	x	x	x	x	x	x	x	x		x
ACMD 23					x	x	x	x	x	x	x	x	x	x	x	x	x	x	x	x	x		x
ACMD 42					x	x	x	x	x	x	x	x	x	x	x	x	x	x	x	x	x		x
ACMD 51					x	x	x	x	x	x	x	x	x	x	x	x	x	x	x	x	x		x

Table 6-18: Card status field / command - cross reference



## 6.4.2 SD Status

The SD Status contains status bits that are related to the SD Card proprietary features and may be used for future application specific usage. The size of the SD Status is one data block of 512bit. The content of this register is transmitted to the Host over the DAT bus along with 16 bit CRC. The SD Status is sent to the host over the DAT bus if ACMD13 is sent (CMD55 followed with CMD13). ACMD13 can be sent to a card only in 'tran\_state' (card is selected). SD Status structure is described in bellow. The same abbreviation for 'type' and 'clear condition' were used as for the Card Status above.

Bits	Identifier	Type	Value	Description	Clear Condition
511: 510	DAT_BUS_WIDTH	S R	'00'= 1 (default) '01'= reserved '10'= 4 bit width '11'= reserved	Shows the currently defined data bus width that was defined by SET_BUS_WIDTH command	A
509	SECURED_MODE	S R	'0'= Not in the mode '1'= In Secured Mode	Card is in Secured Mode of operation	A
508: 496	reserved				
495: 480	SD_CARD_TYPE	SR	' 00xxh'= SD Memory Cards as defined in Physical Spec Ver1.01-2.00 ('x'=don't care). The following cards are currently defined: ' 0000'= Regular SD RD/WR Card. ' 0001'= SD ROM Card	In the future, the 8 LSBs will be used to define different variations of an SD Memory Card (Each bit will define different SD Types). The 8 MSBs will be used to define SD Cards that do not comply with current	A
479: 448	SIZE_OF_PROTECTED_AREA	SR	in units of MULT*BLOCK_LEN refer to CSD register	The actual area = (SIZE_OF_PROTECTED_AREA) * MULT * BLOCK_LEN.	A
447: 440	SPEED_CLASS	SR	Speed Class of the card (See below)	(See below)	A
439: 432	PERFORMANCE_MOVE	SR	Performance of move indicated by 1 [MB/s] step. (See below)	(See below)	A
431: 428	AU_SIZE	SR	Size of AU (See below)	(See below)	A
427:	reserved				
424					
423: 408	ERASE_SIZE	SR	Number of AUs to be erased at a time	(See below)	A
407: 402	ERASE_TIMEOUT	SR	Timeout value for erasing areas specified by UNIT_OF_ERASE_AU	(See below)	A
401: 400	ERASE_OFFSET	SR	Fixed offset value added to erase time.	(See below)	A
399:312	reserved				
311:0	reserved				

**Table 6-19: SD Card Status**

*Your Ultimate Memory Solution!*



### • SIZE\_OF\_PROTECTED\_AREA

Setting this field differs between Standard and High Capacity Cards.

In the case of a Standard Capacity Card, the capacity of protected area is calculated as follows:

Protected Area = SIZE\_OF\_PROTECTED\_AREA \* MULT \* BLOCK\_LEN.

SIZE\_OF\_PROTECTED\_AREA is specified by the unit in MULT\*BLOCK\_LEN.

In the case of a High Capacity Card, the capacity of protected area is specified in this field:

Protected Area = SIZE\_OF\_PROTECTED\_AREA

SIZE\_OF\_PROTECTED\_AREA is specified by the unit in byte.

### • SPEED\_CLASS

This 8-bit field indicates the Speed Class and the value can be calculated by  $Pw/2$ .

SPEED_CLASS	Value Definition
00h	Class 0
01h	Class 2
02h	Class 4
03h	Class 6
04h – FFh	Reserved

**Table 6-20: Speed Class Code Field**

### • PERFORMANCE\_MOVE

This 8-bit field indicates Pm and the value can be set by 1 [MB/sec] step. If the card does not move used RUs, Pm should be considered as infinity. Setting to FFh means infinity. The minimum value of Pm

is defined by in Table 6-21.

PERFORMANCE_MOVE	Value Definition
00h	Not Defined
01h	1 [MB/sec]
02h	2 [MB/sec]
.....	.....
FEh	254 [MB/sec]
FFh	Infinity

**Table 6-21: Performance Move Field**

• **AU\_SIZE**

This 4-bit field indicates AU Size and the value can be selected in power of 2 from 16 KB.

AU_SIZE	Value Definition
0h	Not Defined
1h	16 KB
2h	32 KB
3h	64 KB
4h	128 KB
5h	256 KB
6h	512 KB
7h	1 MB
8h	2 MB
9h	4 MB
Ah – Fh	Reserved

**Table 6-22: AU\_SIZE Field**

The maximum AU size, depends on the card capacity, is defined in Table 6-23. The card can set any AU size between RU size and maximum AU size.

Capacity	16 MB – 64 MB	128 MB-256 MB	512 MB	1 GB – 32 GB
<b>Maximum AU Size</b>	512 KB	1 MB	2 MB	4 MB

**Table 6-23: Maximum AU size**

• **ERASE\_SIZE**

This 16-bit field indicates NERASE. When NERASE numbers of AUs are erased, the timeout value is specified by ERASE\_TIMEOUT (Refer to ERASE\_TIMEOUT). The host should determine proper number of AUs to be erased in one operation so that the host can indicate progress of erase operation. If this field is set to 0, the erase timeout calculation is not supported.

ERASE_SIZE	Value Definition
0000h	Erase Time-out Calculation is not supported.
0001h	1 AU
0002	2 AU
0003	3 AU
.....	.....
FFFFh	65535 AU

**Table 6-24: Erase Size Field**

*Your Ultimate Memory Solution!*



#### • ERASE\_TIMEOUT

This 6-bit field indicates the TERASE and the value indicates erase timeout from offset when multiple AUs are erased as specified by ERASE\_SIZE. The range of ERASE\_TIMEOUT can be defined as up to 63 seconds and the card manufacturer can choose any combination of ERASE\_SIZE and ERASE\_TIMEOUT depending on the implementation. Once ERASE\_TIMEOUT is determined, it determines the ERASE\_SIZE. The host can determine timeout for any number of AU erase by the Equation (6). Refer to 4.14 for the concept of calculating erase timeout. If ERASE\_SIZE field is set to 0, this field shall be set to 0.

ERASE_TIMEOUT	Value Definition
00	Erase Time-out Calculation is not supported.
01	1 [sec]
02	2 [sec]
03	3 [sec]
.....	.....
63	63 [sec]

**Table 6-24: Erase Timeout Field**

#### • ERASE\_OFFSET

This 2-bit field indicates the TOFFSET and one of four values can be selected. The erase offset adjusts the line by moving in parallel on the upper side. Refer to Figure 4-33 and Equation (6) in 4.14. This field is meaningless if ERASE\_SIZE and ERASE\_TIMEOUT fields are set to 0.

ERASE_OFFSET	Value Definition
0h	0 [sec]
1h	1 [sec]
2h	2 [sec]
3h	3 [sec]

**Table 6-25: Erase Offset Field**

## 6.5 Card Identification Mode and Data Transfer Mode

Two operation modes are defined for the SD Card system:

- **Card identification mode**

The host will be in card identification mode after reset and while it is looking for new cards on the bus. Cards will be in this mode after reset until the SEND\_RCA command (CMD3) is received.

- **Data transfer mode**

Cards will enter data transfer mode once their RCA is first published. The host will enter data transfer mode after identifying all the cards on the bus. The following table shows the dependencies between operation modes and card states. Each state in the SD Card state diagram (see Figure 6-8) is associated with one operation mode:

CARD STATE	OPERATION MODE
Inactive State	inactive
Idle State	card identification mode
Ready State	
Identification State	
Stand-by State	data transfer mode
Transfer State	
Sending-data State	
Receive-data State	
Programming State	
Disconnect State	

**Table 6-26: Overview of Card States vs. Operation modes**

While in card identification mode the host resets all the cards that are in card identification mode, validates operation voltage range, identifies cards and asks them to publish Relative Card Address (RCA). This operation is done to each card separately on its own CMD line. All data communication in the Card Identification Mode uses the command line (CMD) only.

### 6.5.1 Card Identification Mode

While in card identification mode the host resets all the cards that are in card identification mode, validates operation voltage range, identifies cards and asks them to publish Relative Card Address (RCA). This operation is done to each card separately on its own CMD line. All data communication in the Card Identification Mode uses the command line (CMD) only. During the card identification process, the card shall operate in the SD clock frequency of the identification clock rate f<sub>OD</sub>.

*Your Ultimate Memory Solution!*





The command GO\_IDLE\_STATE (CMD0) is the software reset command and sets each card into Idle State regardless of the current card state. Cards in Inactive State are not affected by this command. After power-on by the host, all cards are in Idle State, including the cards that have been in Inactive State before. After power-on or CMD0, all cards' CMD lines are in input mode, waiting for start bit of the next command. The cards are initialized with a default relative card address (RCA=0x0000) and with a default driver stage register setting (lowest speed, highest driving current capability).

At the start of communication between the host and the card, the host may not know the card supported voltage and the card may not know whether it supports the current supplied voltage. The host issues a reset command (CMD0) with a specified voltage while assuming it may be supported by the card. To verify the voltage, a following new command (CMD8) is defined in the Physical Layer Specification Version 2.00. SEND\_IF\_COND (CMD8) is used to verify SD Memory Card interface operating condition. The card checks the validity of operating condition by analyzing the argument of CMD8 and the host checks the validity by analyzing the response of CMD8. The supplied voltage is indicated by VHS filed in the argument. The card assumes the voltage specified in VHS as the current supplied voltage. Only 1-bit of VHS shall be set to 1 at any given time. Both CRC and check pattern are used for the host to check validity of communication between the host and the card. If the card can operate on the supplied voltage, the response echoes back the supply voltage and the check pattern that were set in the command argument. If the card cannot operate on the supplied voltage, it returns no response and stays in idle state. It is mandatory to issue CMD8 prior to first ACMD41 for initialization of High Capacity SD Memory Card (See Figure 6-27). Receipt of CMD8 makes the cards realize that the host supports the Physical Layer Version 2.00 and the card can enable new functions. It is also mandatory for low-voltage host to send CMD8 before ACMD41. In case that a Dual Voltage Card is not receiving CMD8 the card will work as a high-voltage only card, and in this case that a low voltage host didn't send CMD8 the card will go to inactive at ACMD41. SD\_SEND\_OP\_COND (ACMD41) is designed to provide SD Memory Card hosts with a mechanism to identify and reject cards which do not match the VDD range desired by the host. This is accomplished by the host sending the required VDD voltage window as the operand of this command. Cards which cannot perform data transfer in the specified range shall discard themselves from further bus operations and go into Inactive State. The levels in the OCR register shall be defined accordingly. Note that ACMD41 is application specific command, therefore APP\_CMD (CMD55) shall always precede ACMD41. The RCA to be used for CMD55 in idle\_state shall be the card's default RCA = 0x0000. After the host issues a reset command (CMD0) to reset the card, the host shall issue CMD8 prior to ACMD41 to re-initialize the SD Memory card.

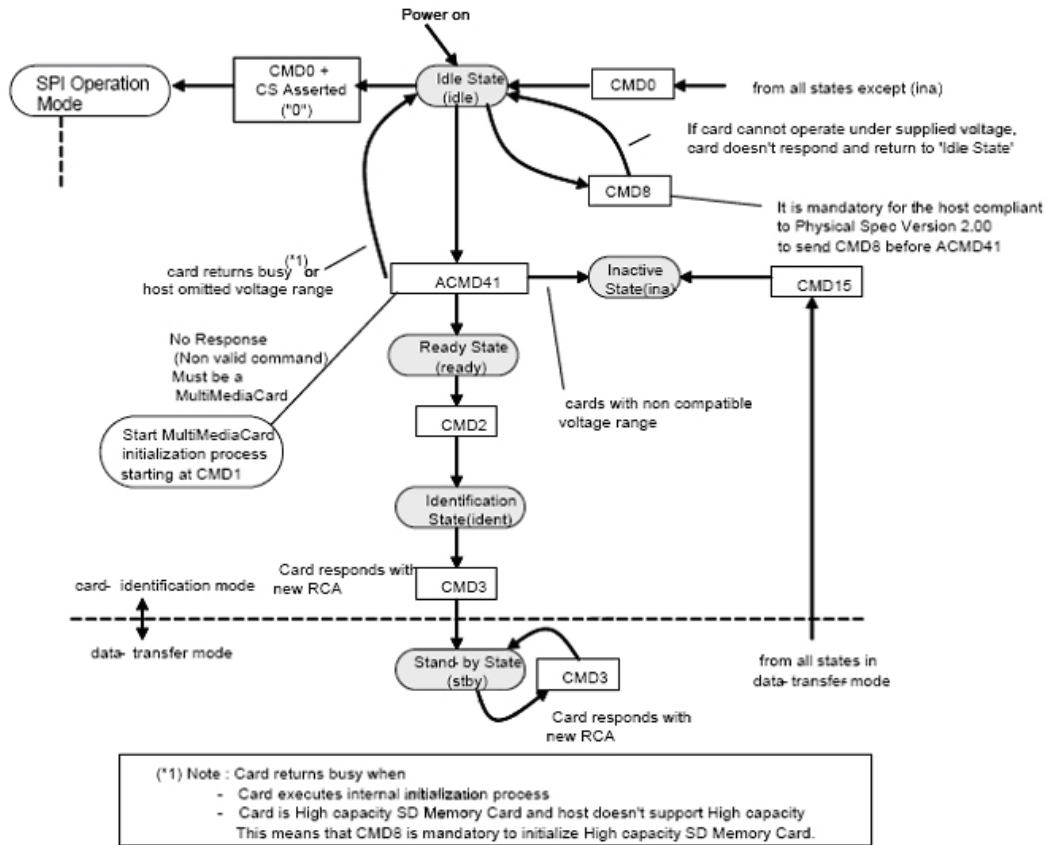


Figure 6-27: SD Card state diagram (card identification mode)

By setting the OCR to zero in the argument of ACMD41, the host can query each card and determine the common voltage range before sending out-of-range cards into the Inactive State (query mode). This query should be used if the host is able to select a common voltage range or if a notification to the application of non usable cards in the stack is desired. The card does not start initialization if ACMD41 is issued as a query. Afterwards, the host may choose a voltage for operation and reissue ACMD41 with this condition, sending incompatible cards into the Inactive State. During the initialization procedure, the host is not allowed to change the operating voltage range.

After the bus is activated the host starts card initialization and identification process (See Figure 6-28). The initialization process starts with SD\_SEND\_OP\_COND (ACMD41) by setting its operational conditions and the HCS bit in the OCR. The HCS (Host Capacity Support) bit set to 1 indicates that the host supports High Capacity SD Memory card. The HCS (Host Capacity Support) bit set to 0 indicates that the host does not support High Capacity SD Memory card.

Receiving of CMD8 expands the ACMD41 function; HCS in the argument and CCS (Card Capacity

*Your Ultimate Memory Solution!*



Status) in the response. HCS is ignored by cards, which didn't respond to CMD8. However the host should set HCS to 0 if the card returns no response to CMD8. Standard Capacity SD Memory Card ignores HCS. If HCS is set to 0, High Capacity SD Memory Card never return ready statue (keep busy bit to 0). The busy bit in the OCR is used by the card to inform the host that initialization of ACMD41 is completed. Setting the busy bit to 0 indicates that the card is still initializing. Setting the busy bit to 1 indicates completion of initialization. The host repeatedly issues ACMD41 until the busy bit is set to 1. The card checks the operational conditions and the HCS bit in the OCR only at the first ACMD41. While repeating ACMD41, the host shall not issue another command except CMD0. If the card responds to CMD8, the response of ACMD41 includes the CCS field information. CCS is valid when the card returns ready (the busy bit is set to 1). CCS=1 means that the card is a High Capacity SD Memory Card. CCS=0 means that the card is a Standard Capacity SD Memory Card. The host performs the same initialization sequence to all of the new cards in the system. Incompatible cards are sent into Inactive State. The host then issues the command ALL\_SEND\_CID (CMD2), to each card to get its unique card identification (CID) number. Card that is unidentified (i.e. which is in Ready State) sends its CID number as the response (on the CMD line). After the CID was sent by the card it goes into Identification State. Thereafter, the host issues CMD3 (SEND\_RELATIVE\_ADDR) asks the card to publish a new relative card address (RCA), which is shorter than CID and which is used to address the card in the future data transfer mode. Once the RCA is received the card state changes to the Stand-by State. At this point, if the host wants to assign another RCA number, it can ask the card to publish a new number by sending another CMD3 command to the card. The last published RCA is the actual RCA number of the card. The host repeats the identification process, i.e. the cycles with CMD2 and CMD3 for each card in the system.



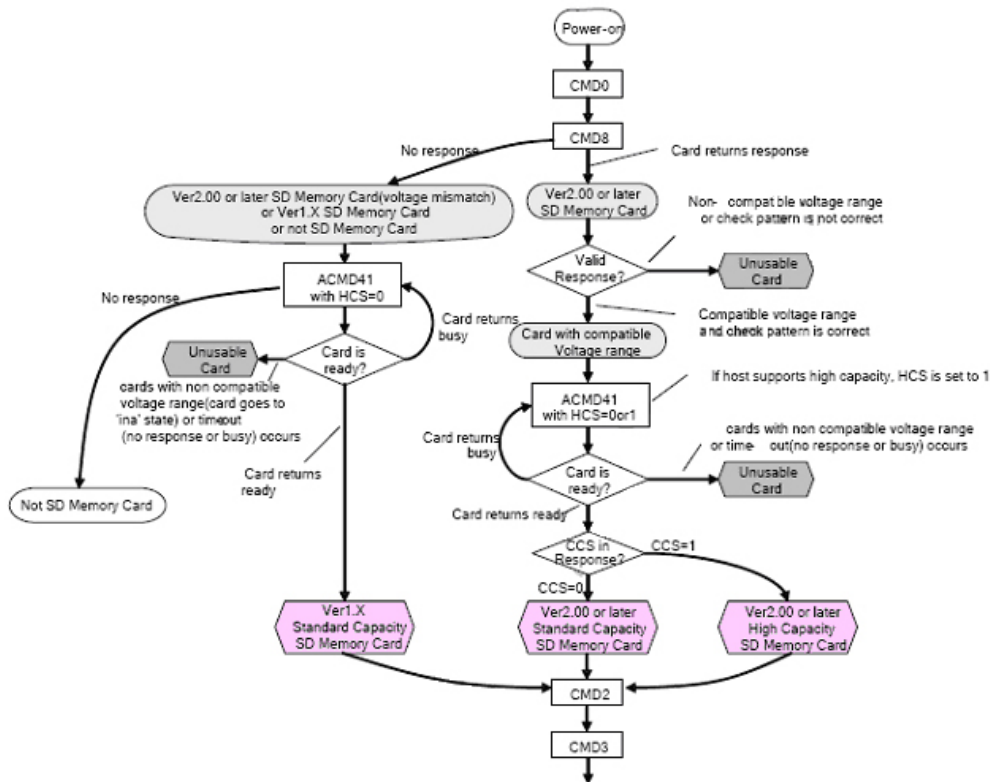


Figure 6-28: Card Initialization and Identification Flow (SD mode)

### 6.5.2 Data Transfer Mode

Until the end of Card Identification Mode the host must remain at  $f_{OD}$  frequency because some cards may have operating frequency restrictions during the card identification mode. In Data Transfer Mode the host may operate the card in  $f_{PP}$  frequency range. The host issues SEND\_CSD (CMD9) to obtain the Card Specific Data (CSD register), e.g. block length, card storage capacity, etc.

CMD7 is used to select one card and put it into the *Transfer State*. When CMD7 is issued with the reserved relative card address “0x0000”, all cards are put back to *Stand-by State* (Note that it is the responsibility of the Host to reserve the RCA=0 for card de-selection).



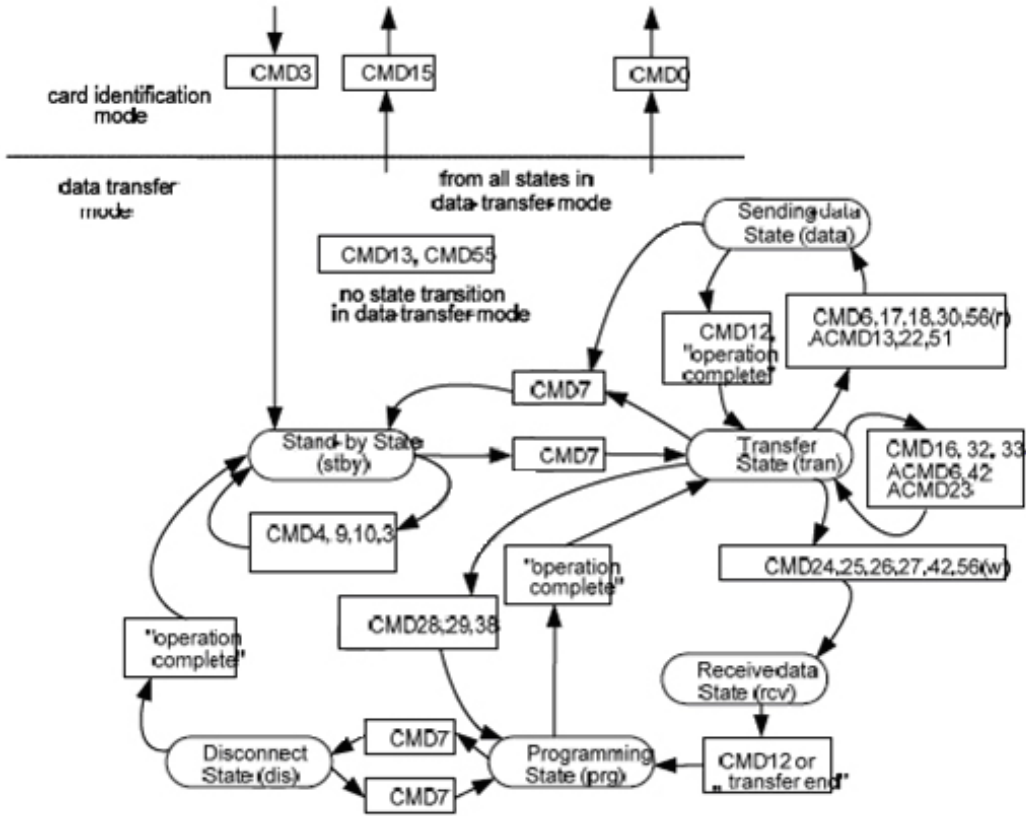


Figure 6-29: SD Card state diagram (data transfer mode)



## 6.6 Error Handling

To correct defects in the memory field inside card the card include error correction codes in the payload data (ECC). This correction is intended to correct static errors. Additionally two methods of detecting errors generated during the data transfer (dynamic errors) via a cyclic redundancy check (CRC) are implemented

### 6.6.1 Error Correction Code (ECC)

The ATP SD Card is free of static errors. All errors are covered inside the card, even errors occurring during the lifetime of the card are covered for the user. The only effect which may be notified by the end user is, that the overall memory capacity may be reduced by small number of blocks. All flash handling is done on card, so that no external error correction is needed.

### 6.6.2 Cyclic Redundancy Check (CRC)

The CRC is intended for protecting SD Card commands, responses and data transfer against transmission errors on the SD Card bus. One CRC is generated for every command and checked for every response on the CMD line. For data blocks one CRC per transferred block is generated. The CRC is generated and checked as described in the following.

#### • CRC7

The CRC7 check is used for all commands, for all responses except type R3, and for the CSD and CID registers. The CRC7 is a 7-bit value and is computed as follows:

generator polynomial:  $G(x) = x^7 + x^3 + 1$ .

$M(x) = (\text{first bit}) * x^n + (\text{second bit}) * x^{n-1} + \dots + (\text{last bit}) * x^0$

$\text{CRC}[6..0] = \text{Remainder} [(M(x) * x^7) / G(x)]$

The first bit is the most left bit of the corresponding bitstring (of the command, response, CID or CSD). The degree n of the polynomial is the number of CRC protected bits decreased by one. The number of bits to be protected is 40 for commands and responses ( $n = 39$ ), and 120 for the CSD and CID ( $n = 119$ ).

#### • CRC16

In case of one DAT line usage (as in MultiMediaCard) than the CRC16 is used for payload protection in block transfer mode. The CRC check sum is a 16-bit value and is computed as follows:

generator polynomial  $G(x) = x^{16} + x^{12} + x^5 + 1$

*Your Ultimate Memory Solution!*



$$M(x) = (\text{first bit}) * x^n + (\text{second bit}) * x^{n-1} + \dots + (\text{last bit}) * x^0$$

$$\text{CRC}[15..0] = \text{Remainder} [(M(x) * x^{16}) / G(x)]$$

The first bit is the first data bit of the corresponding block. The degree  $n$  of the polynomial denotes the number of bits of the data block decreased by one (e.g.  $n = 4095$  for a block length of 512 bytes). The generator polynomial  $G(x)$  is a standard CCITT polynomial. The code has a minimal distance  $d=4$  and is used for a payload length of up to 2048 Bytes ( $n \leq 16383$ ). The same CRC16 method is used in single DAT line mode and in wide bus mode. In wide bus mode, the CRC16 is done on each line separately.

### 6.6.3 CRC and Illegal Command

All commands are protected by CRC (cyclic redundancy check) bits. If the addressed card's CRC check fails, the card does not respond and the command is not executed. The card does not change its state, and COM\_CRC\_ERROR bit is set in the status register. Similarly, if an illegal command has been received, the card will not change its state, will not response and will set the ILLEGAL\_COMMAND error bit in the status register. Only the non-errodata neous state branches are shown in the state diagrams contains a complete state transition description.

There are different kinds of illegal commands:

- Commands which belong to classes not supported by the card (e.g. write commands in read only cards).
- Commands not allowed in the current state (e.g. CMD2 in Transfer State).
- Commands which are not defined (e.g. CMD5).

### 6.6.4 Read, Write and Erase Time-out

The times after which a time-out condition for read operations occurs are (card independent) **either 100 times longer** than the typical access times for these operations given below **or 100ms (the lower of them)**. The times after which a time-out condition for Write/Erase operations occurs are (card independent) **either 100 times longer** than the typical program times for these operations given below **or 250ms (the lower of them)**. A card shall complete the command within this time period, or give up and return an error message. If the host does not get any response with the given time out it should assume the card is not going to respond anymore and try to recover (e.g. reset the card, power cycle, reject, etc.). The typical access and program times are defined as follows:

#### • Read

The read access time is defined as the sum of the two times given by the CSD parameters TAAC and NSAC . These card parameters define the typical delay between the end bit of the read command and

*Your Ultimate Memory Solution!*



the start bit of the data block. This number is card dependent and should be used by the host to calculate throughput and the maximal frequency for stream read.

- **Write**

The R2W\_FACTOR field in the CSD is used to calculate the typical block program time obtained by multiplying the read access time by this factor. It applies to all write/erase commands (e.g. SET(CLR)\_WRITE\_PROTECT, PROGRAM\_CSD and the block write commands).

- **Erase**

The duration of an erase command will be (order of magnitude) the number of write blocks (WRITE\_BL) to be erased multiplied by the block write delay.



## 7 SPI Mode

### 7.1 Introduction

The SPI mode consists of a secondary communication protocol which is offered by SD Cards. This mode is a subset of the SD Card protocol, designed to communicate with a SPI channel, The interface is selected during the first reset command after power up (CMD0) and cannot be changed once the part is powered on.

### 7.2 SPI BUS Topology

The ATP SD Card SPI interface is compatible with SPI hosts available on the market. As any other SPI device the ATP SD Card SPI channel consists of the following four signals:

- CS:** Host to card Chip Select signal.
- CLK:** Host to card clock signal
- DataIn:** Host to card data signal.
- DataOut:** Card to host data signal.

Another SPI common characteristic are byte transfers, which is implemented in the card as well. All data tokens are multiples of bytes (8 bit) and always byte aligned to the CS signal.

The card identification and addressing methods are replaced by a hardware Chip Select (CS) signal. There are no broadcast commands. For every command, a card (slave) is selected by asserting (active low) the CS signal (see Figure 7-1).

The CS signal must be continuously active for the duration of the SPI transaction (command, response and data). The only exception occurs during card programming, when the host can deassert the CS signal without affecting the programming process.

The SPI interface uses the 7 out of the SD 9 signals (DAT1 and DAT 2 are not used, DAT3 is the CS signal) of the SD bus.

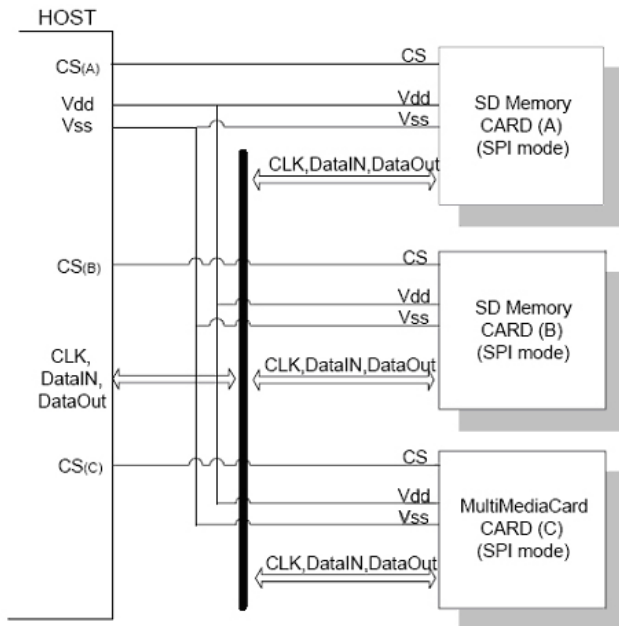


Figure 7-1: SD Card system (SPI mode) bus topology

### 7.3 SPI Bus Protocol

While the SD Memory Card channel is based on command and data bit streams that are initiated by a start bit and terminated by a stop bit, the SPI channel is byte oriented. Every command or data block is built of 8-bit bytes and is byte aligned to the CS signal (i.e. the length is a multiple of 8 clock cycles). The card starts to count SPI bus clock cycle at the assertion of the CS signal. Every command or data token shall be aligned to 8-clock cycle boundary. Similar to the SD Memory Card protocol, the SPI messages consist of command, response and datablock tokens. All communication between host and cards is controlled by the host (master). The host starts every bus transaction by asserting the CS signal low. The selected card always responds to the command as opposed to the SD mode. When the card encounters a data retrieval problem in a read operation, it will respond with an error response (which replaces the expected data block) rather than by a timeout as in the SD mode. Additionally, every data block sent to the card during write operations will be responded with a data response token.

In the case of a Standard Capacity Memory Card, a data block can be as big as one card write block and as small as a single byte. Partial block read/write operations are enabled by card options specified in the CSD register. In the case of a High Capacity SD Memory Card, the size of data block is fixed to 512 bytes. The block length set by CMD16 is only used for CMD42 and not used for memory data transfer. So, partial block read/write operations are also disabled. Furthermore, Write Protected commands

*Your Ultimate Memory Solution!*



(CMD28, CMD29 and CMD30) are not supported.

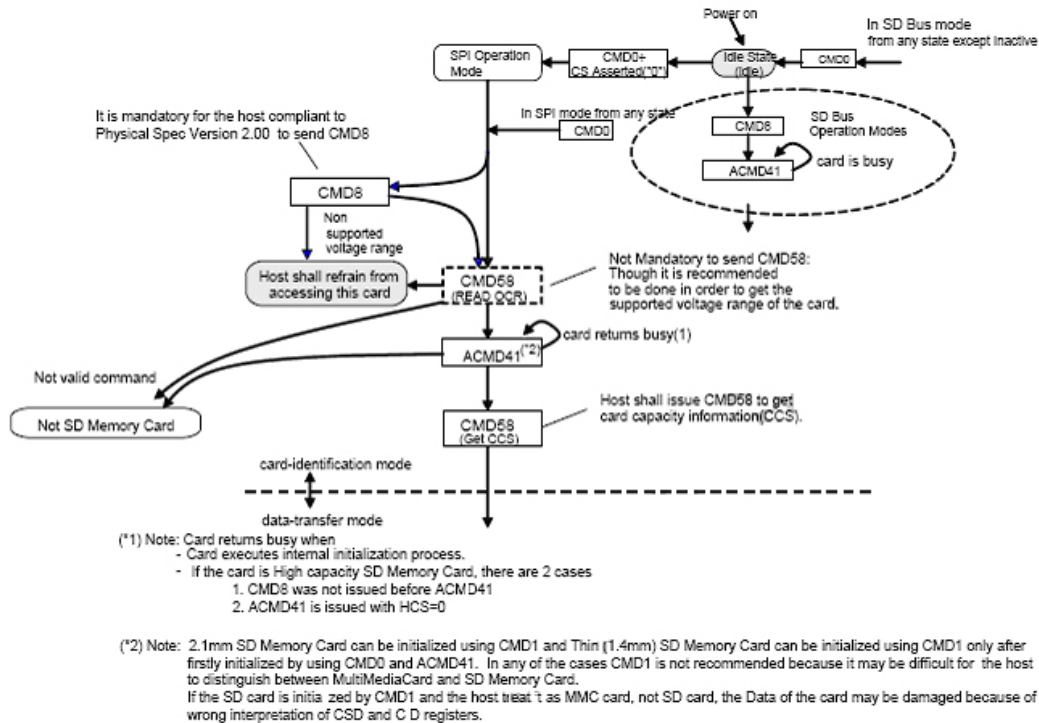


Figure 7-2: SPI Mode Initialization Flow

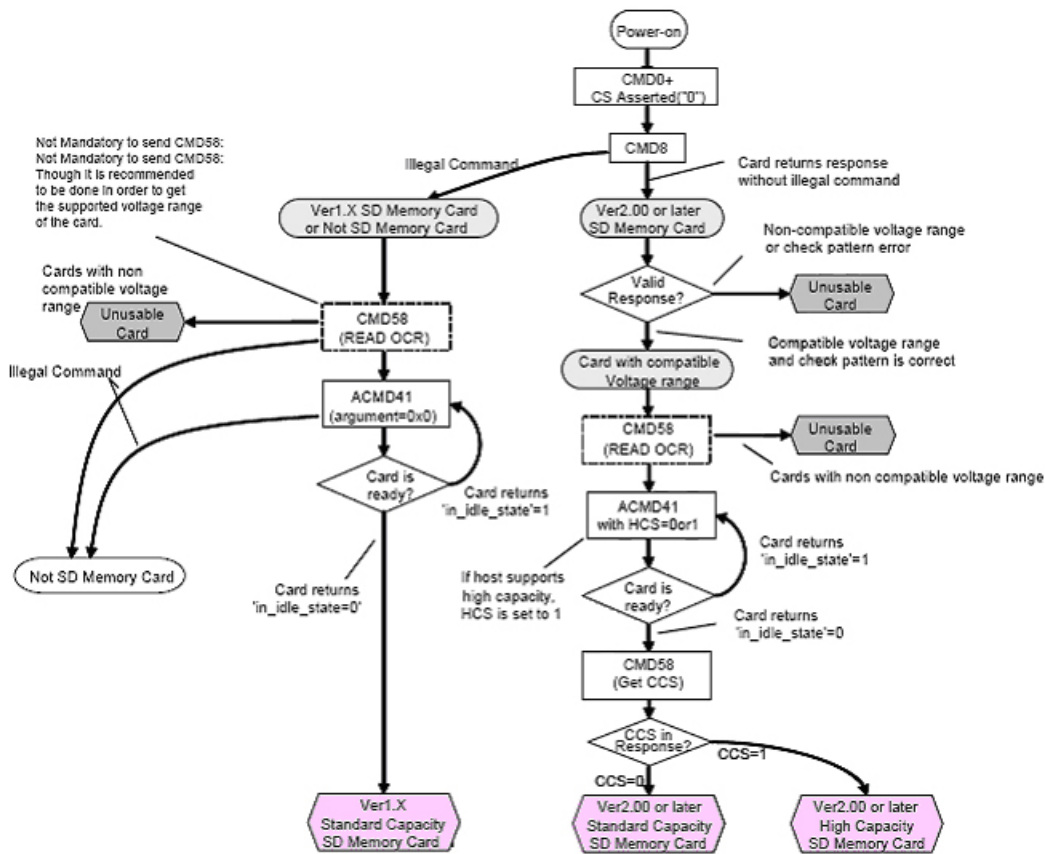
### 7.3.1 Mode Selection and Initialization

The SD Card is powered up in the SD mode. It will enter SPI mode if the CS signal is asserted (negative) during the reception of the reset command (CMD0). If the card recognizes that the SD mode is required it will not respond to the command and remain in the SD mode. If SPI mode is required, the card will switch to SPI and respond with the SPI mode R1 response. The only way to return to the SD mode is by entering the power cycle. In SPI mode, the SD Card protocol state machine in SD mode is not observed. All the SD Card commands supported in SPI mode are always available. Figure 7-3 shows the initialization sequence of SPI mode. SEND\_IF\_COND (CMD8) is used to verify SD Memory Card interface operating condition. The argument format of CMD8 is the same as defined in SD mode and the response format of CMD8 is defined in Section 7.3.2.6. The card checks the validity of operating condition by analyzing the argument of CMD8 and the host checks the validity by analyzing the response of CMD8. The supplied voltage is indicated by VHS filed in the argument. The card assumes the voltage specified in VHS as the current supplied voltage. Only 1-bit of VHS shall be

*Your Ultimate Memory Solution!*



set to 1 at any given time. Check pattern is used for the host to check validity of communication between the host and the card. If the card indicates an illegal command, the card is legacy and does not support CMD8. If the card supports CMD8 and can operate on the supplied voltage, the response echoes back the supply voltage and the check pattern that were set in the command argument. If VCA in the response is set to 0, the card cannot operate on the supplied voltage. If check pattern is not matched, CMD8 communication is not valid. In this case, it is recommended to retry CMD8 sequence.



**Figure 7-3: SPI Mode Initialization Flow**

READ\_OCR (CMD58) is designed to provide SD Memory Card hosts with a mechanism to identify cards that do not match the VDD range desired by the host. If the host does not accept voltage range, it shall not proceed further initialization sequence. The levels in the OCR register shall be defined accordingly. SD\_SEND\_OP\_COND (ACMD41) is used to start initialization and to check if the card has completed initialization. It is mandatory to issue CMD8 prior to the first ACMD41. Receiving of CMD8 expands the CMD58 and ACMD41 function; HCS (High Capacity Support) in the argument of ACMD41 and CCS (Card Capacity Status) in the response of CMD58. HCS is ignored by the card, which didn't accept CMD8. Standard Capacity SD Memory Card ignores HCS. The "in idle state" bit

*Your Ultimate Memory Solution!*



in the R1 response of ACMD41 is used by the card to inform the host if initialization of ACMD41 is completed. Setting this bit to “1” indicates that the card is still initializing. Setting this bit to “0” indicates completion of initialization. The host repeatedly issues ACMD41 until this bit is set to “0”. The card checks the HCS bit in the OCR only at the first ACMD41. While repeating ACMD41, the host shall not issue another command except CMD0. After initialization is completed, the host should get CCS information in the response of CMD58. CCS is valid when the card accepted CMD8 and after the completion of initialization. CCS=1 means that the card is a High Capacity SD Memory Card. CCS=0 means that the card is a Standard Capacity SD.

### 7.3.2 Bus Transfer Protection

Every SD Card token transferred on the bus is protected by CRC bits. In SPI mode, the SD Card offers a non-protected mode which enables systems built with reliable data links to exclude the hardware or firmware required for implementing the CRC generation and verification functions. In the non-protected mode the CRC bits of the command, response and data tokens are still required in the tokens. However, they are defined as ‘don’t care’ for the transmitter and ignored by the receiver.

The SPI interface is initialized in the non-protected mode. However, the RESET command (CMD0) which is used to switch the card to SPI mode, is received by the card while in SD mode and, therefore, must have a valid CRC field.

Since CMD0 has no arguments, the content of all the fields, including the CRC field, are constants and need not be calculated in run time. A valid reset command is:

0x40, 0x0, 0x0, 0x0, 0x0, 0x95

The host can turn the CRC option on and off using the CRC\_ON\_OFF command (CMD59).

### 7.3.3 Data Read

The SPI mode supports single block read and Multiple Block read operations (CMD17 or CMD18 in the SD Card protocol). Upon reception of a valid read command the card will respond with a response token followed by a data token of the length defined in a previous SET\_BLOCKLEN (CMD16) command (refer to Figure 7-3).

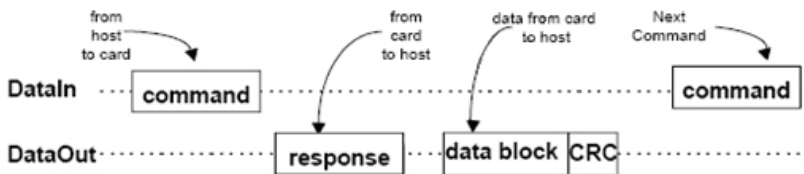


Figure 7-3: Single Block Read operation

In case of a data retrieval error, the card will not transmit any data. Instead, a special data error token will be sent to the host. Figure 7-4 shows a data read operation which terminated with an error token rather than a data block.

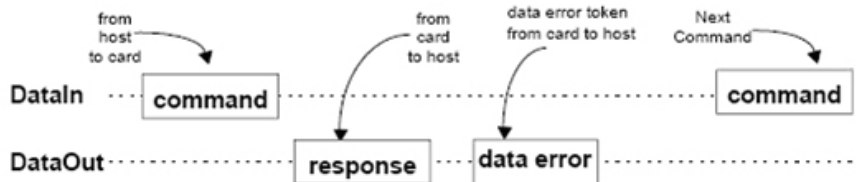


Figure 7-4: Read operation - data error

In case of Multiple block read operation every transferred block has its suffixed of 16 bit CRC. Stop transmission command (CMD12) will actually stop the data transfer operation (the same as in SD Card operation mode).

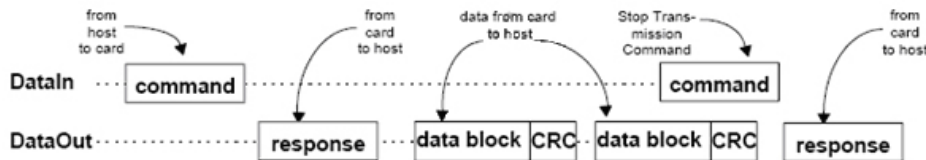


Figure 7-5: Multiple Block Read operation

7.3.4 Data Write

In SPI mode the SD Card supports single block and Multiple block write commands. Upon reception of a valid write command (CMD24 or CMD25 in the SD Card protocol), the card will respond with a response token and will wait for a data block to be sent from the host. CRC suffix, block length and start address restrictions are (with the exception of the CSD parameter WRITE\_BL\_PARTIAL controlling the partial block write option) identical to the read operation.



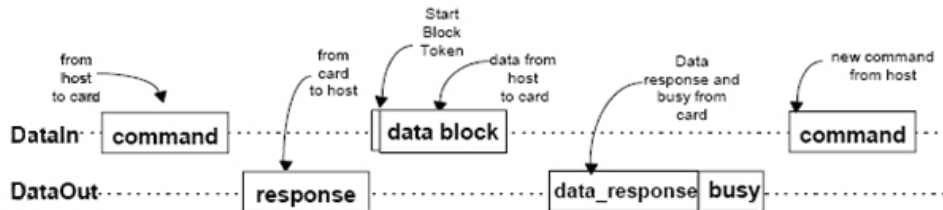


Figure 7-6: Single Block Write operation

Every data block has a prefix of 'Start Block' token (one byte).

After a data block has been received, the card will respond with a data-response token. If the data block has been received without errors, it will be programmed. As long as the card is busy programming, a continuous stream of busy tokens will be sent to the host (effectively holding the DataOut line low).

In Multiple Block write operation the stop transmission will be done by sending 'Stop Tran' token instead of 'Start Block' token at the beginning of the next block. In case of Write Error indication (on the data response) the host shall use SEND\_NUM\_WR\_BLOCKS (ACMD22) in order to get the number of well written write blocks.

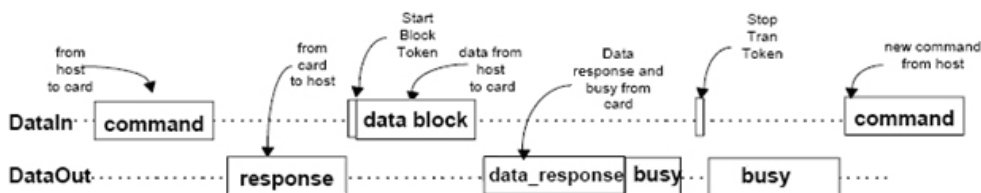


Figure 7-7: Multiple Block Write operation

While the card is busy, resetting the CS signal will not terminate the programming process. The card will release the DataOut line (tri-state) and continue with programming. If the card is reselected before the programming is finished, the DataOut line will be forced back to low and all commands will be rejected. Resetting a card (using CMD0) will terminate any pending or active programming operation. This may destroy the data formats on the card. It is in the responsibility of the host to prevent it.

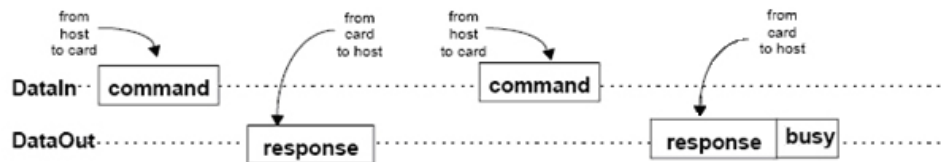
7.3.5 Erase & Write Protect Management

The erase and write protect management procedures in the SPI mode are identical to those of the SD mode. While the card is erasing or changing the write protection bits of the predefined sector list, it will

Your Ultimate Memory Solution!



be in a busy state and hold the DataOut line low. Figure 7-8 illustrates a ‘no data’ bus transaction with and without busy signaling.



**Figure 7-8: ‘No data’ operations**

### 7.3.6 Read CID/CSD Registers

Unlike the SD Card protocol (where the register contents is sent as a command response), reading the contents of the CSD and CID registers in SPI mode is a simple read-block transaction. The card will respond with a standard response token followed by a data block of 16 bytes suffixed with a 16 bit CRC. The data time out for the CSD command cannot be set to the cards TAAC since this value is stored in the card’s CSD. Therefore the standard response time-out value (NCR) is used for read latency of the CSD register.

### 7.3.7 Reset Sequence

The SD Card requires a defined reset sequence. After power on reset or CMD0 (software reset) the card enters an idle state. At this state the only valid host commands are ACMD41 (SD\_SEND\_OP\_COND), CMD58 (READ\_OCR) and CMD59 (CRC\_ON\_OFF). CMD1 (SEND\_OP\_COND) is also valid - that means that in SPI mode CMD1 and ACMD41 have the same behavior. After Power On, once the card accepted valid ACMD41, it will be able to accept also CMD1 even if used after re-initializing (CMD0) the card.

The host must poll the card (by repeatedly sending CMD1 or ACMD41) until the ‘in-idle-state’ bit in the card response indicates (by being set to 0) that the card completed its initialization processes and is ready for the next command.

In SPI mode, as opposed to SD mode, ACMD41 (or CMD1 as well) has no operands and does not return the contents of the OCR register. Instead, the host may use CMD58 (available in SPI mode only) to read the OCR register. Furthermore, it is in the responsibility of the host to refrain from accessing cards that do not support its voltage range. The usage of CMD58 is not restricted to the initializing phase only, but can be issued at any time.

*Your Ultimate Memory Solution!*





**ATP Electronics Inc.**  
TEL: +1-408-732-5000  
FAX: +1-408-732-5055  
sales@atpinc.com  
750 North Mary Ave. Sunnyvale,  
CA 94085 USA

**ATP Electronics Europe B.V.**  
TEL: +31-88-287-0000  
FAX: +31-88-287-0099  
sales-europe@atpinc.com  
Corkstraat 46, Rotterdam 3047 AC,  
The Netherlands

**ATP Electronics Tokyo Office**  
TEL: +81-03-6206-8097  
FAX: +81-03-6206-8098  
sales-japan@atpinc.com  
www.atpinc.co.jp  
#1007, 10F, 1-8-4 Kandasakuma-cho,  
Chiyoda-ku, Tokyo

**ATP Electronics (Shanghai), Inc.**  
TEL: +86-21-5080-2220  
FAX: +86-21-5080-2219  
sales@cn.atpinc.com  
www.atpinc.com.cn  
Room 102, No.500 BiBo road,  
Zhangjiang High-tech park, Shanghai,  
China, 201203

**www.atpinc.com**

*Your Ultimate Memory Solution!*

---

