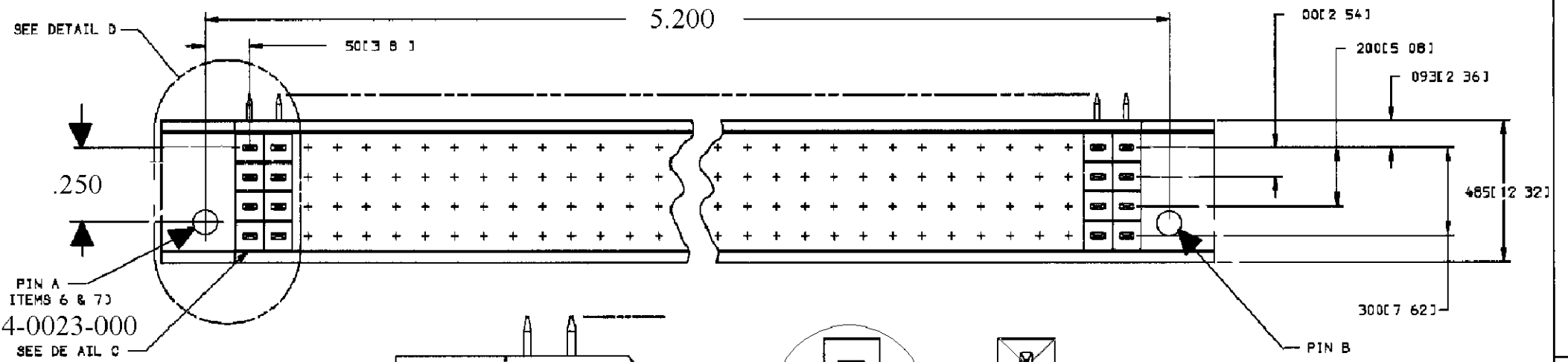
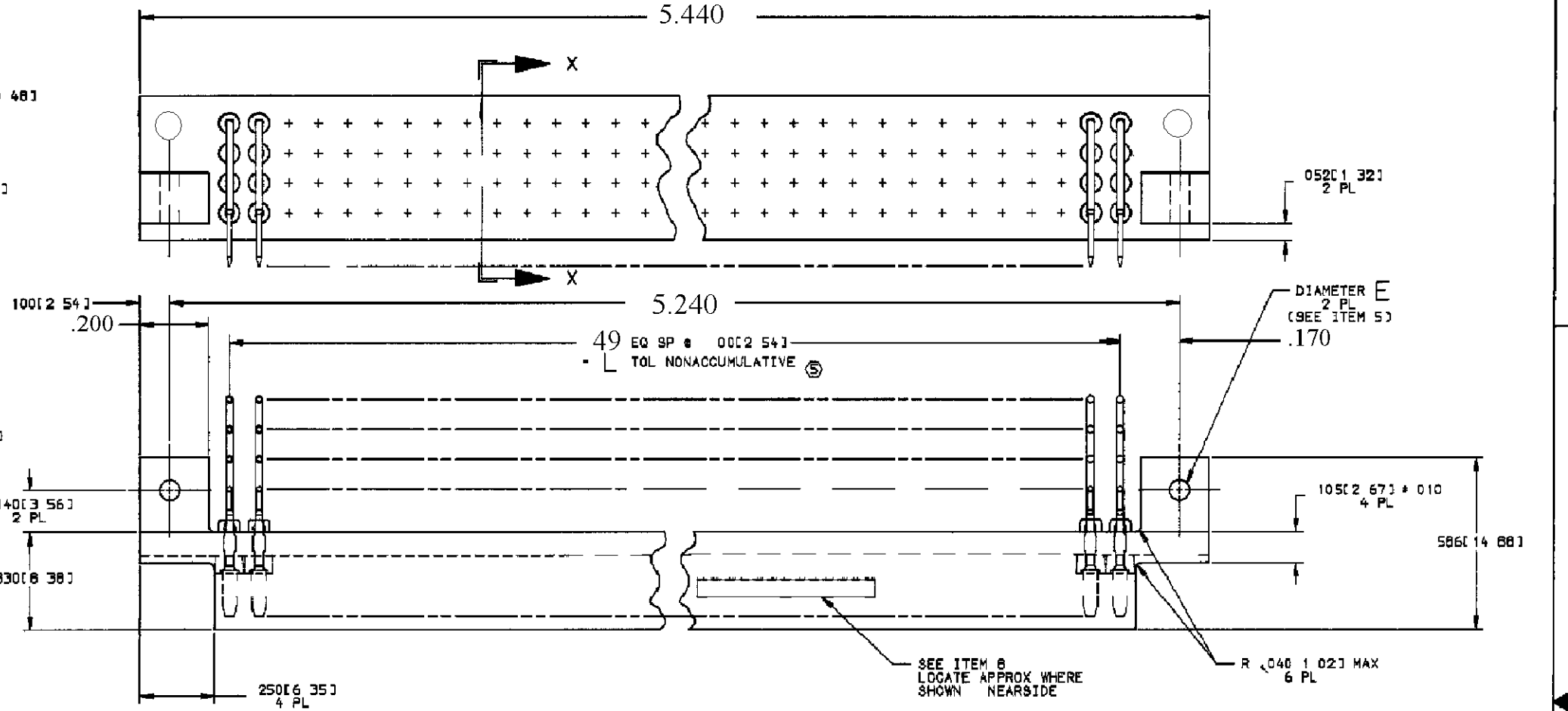
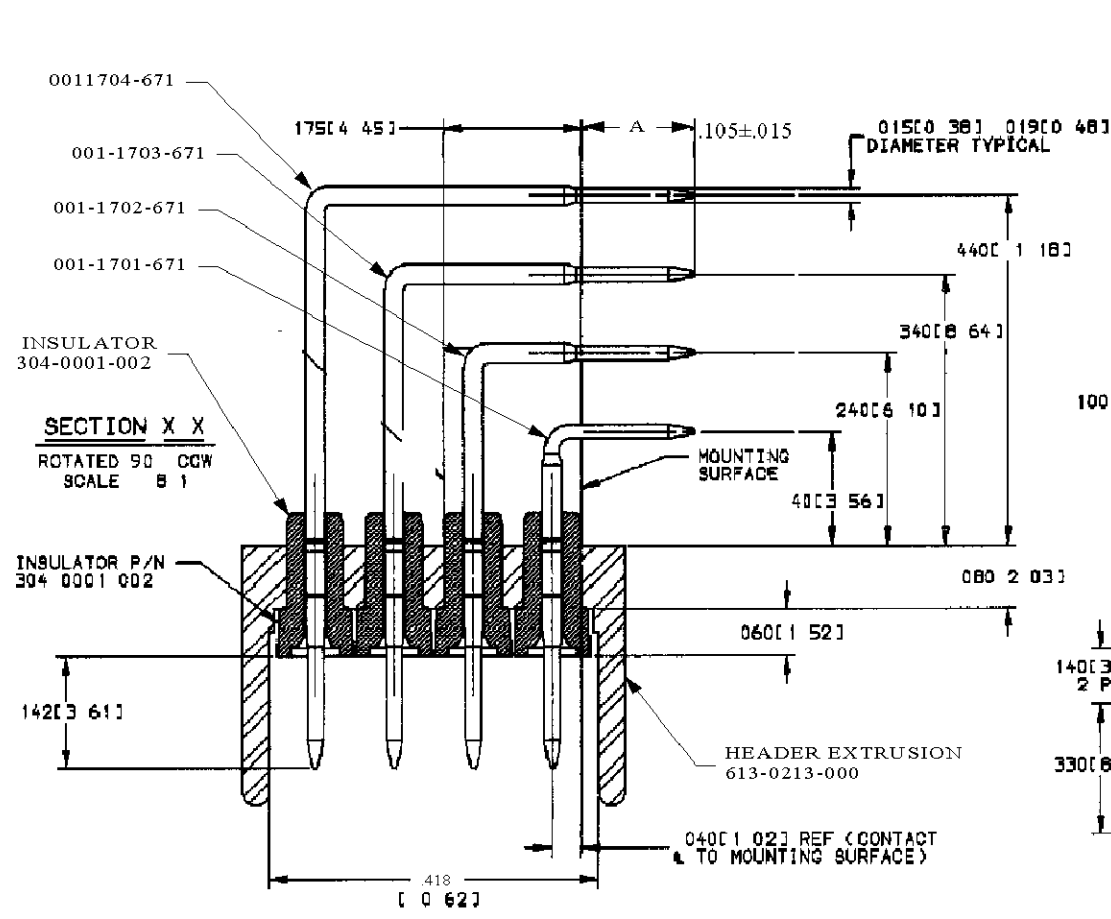
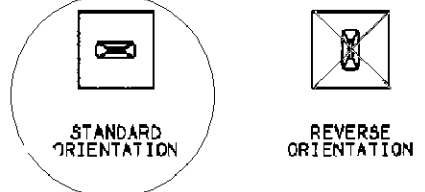


DWG NO	SH	REV	CAD
	1	-	
ZONE		REV	SCR NO
NEW RELEASE			
DESCRIPTION		BY	DATE
APPROVED			



DETAIL D
PIN ORIENTATION (SHOWN IN POSITION A)
SCALE NONE



CONNECTOR REQUIREMENTS:	
SELECT ONE ITEM IN EACH CATEGORY	
1 CONNECTOR BODY FINISH GOLD CHROMATE PER MIL C 5541 BLACK ANODIZE PER MIL A 8625 TYPE II OTHER (PLEASE SPECIFY)	X
2 CONTACT PLATING: 50 70 MICROINCHES GOLD OVER 100 250 MICROINCHES NICKEL(503) OTHER (PLEASE SPECIFY)	X
3 CONTACT TAIL LENGTH (DIMENSION "A") 105 ± .015 [2 67 ± 0 38] 140 ± 0.5 [3 56 ± 0 38]	X
4 CONTACT ORIENTATION (SEE DETAIL C) STANDARD	CIRCLE CHOICE IN DETAIL C & CROSS OUT THE OTHER
5 MOUNTING HOLE DIAMETER (DIMENSION "E") 068 097 OTHER (PLEASE SPECIFY)	2-56UNC-2B
6 KEYING PIN HOLE DIMENSIONS: SPECIFY DIAMETER AND DEPTH ONLY IF KEYING PINS ARE NOT INSTALLED BY TERADYNE MIN (AMPHENOL STANDARD HOLE DIMENSIONS ARE .20 ± .010 [3 05 ± 0 25] DEEP BY .099 ± .001[2 51 ± 0 03] DIAMETER)	
7 KEYING PIN ORIENTATION MUST BE SPECIFIED FOR PIN "A" AND PIN "B" (SEE DETAIL D)	PIN A C PIN B C
8 PART IDENTIFICATION/MARKING AMPHENOL PART NO DATE CODE IDENT NO AND LOGO ONLY OTHER (PLEASE SPECIFY)	X
9 CONTACT PATTERN LENGTH (DIMENSION L) DIMENSIONS (PLEASE SPECIFY BELOW)	
L (5)	M (L 300[7 62])
	N (L 400[10 63])
	P (L 600[15 24])
4.900	5.200
	5.240
	5.440

NOTES

- 015[0 38] 019[0 48] DIAMETER CONTACTS REQUIRE 038[0 97] 042[1 07] DIAMETER HOLES IN THE DAUGHTER CARD (ASSUMING CONTACT TAILS ARE HELD TO # 020[0 5] POSITION)
- FIRST MATE LAST BREAK CONTACTS ARE AVAILABLE CONSULT THE FACTORY FOR FURTHER INFORMATION
- KEYING PINS ARE PER MIL C 28754/24 02 (AMPHENOL PART NO 564 0023 000)
- CONTACT TAILS TO BE PRE TINNED USING SN63 PER QQ S 571 FROM END OF CONTACT TO MOUNTING SURFACE (MIN)
- DIMENSION L = $\frac{L}{4} + 1$ WHERE X TOTAL NUMBER OF CONTACTS

NOTE: CUSTOMER MUST ASSIGN PART NUMBER AND DRAWING NUMBER

TOLERANCES	DRAWN	AMPHENOL CORPORATION	
00 0	DRK	AMPHENOL BACKPLANE SYSTEMS	
001 ± .005		NASHUA N. H. 03063	
0010 —	APVD	TITLE	
ANGLES —		TYPICAL FOUR ROW CONNECTOR	
DIMENSIONS IN BRACKETS ARE (MIN) ALL OTHER DIMENSIONS ARE INCHES		PART NO	M1001-12804
		DRAWING NO	M1001-12804
		REV	-
		REV	-
		SIZE	D
		SCALE	+
		SHEET	OF

CUSTOMER USE DRAWING

INTERPRET PER AM 4 B
CODE IDENT 77820