

SPECIFICATIONS

Mechanical

Mating Force: 3.06kg (6.74Lb) max. (DSUB)
 2.49kg (5.50 Lb) max. (Audio Jack)
Unmating Force: 0.19kg (0.42Lb) min. (DSUB)
 0.30kg (0.66 Lb) min. (Audio Jack)

Electrical

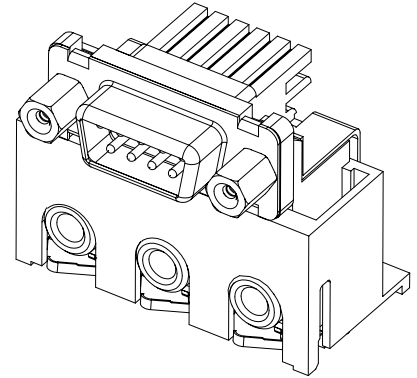
Current Rating: 1.50A (DSUB); 1A (Audio Jack)
Contact Resistance: 35mΩ (DSUB); 30mΩ (Audio Jack)
Dielectric Withstanding Voltage: 1000V AC/1min min. (DSUB)
 500V AC/1min min. (Audio Jack)

Physical

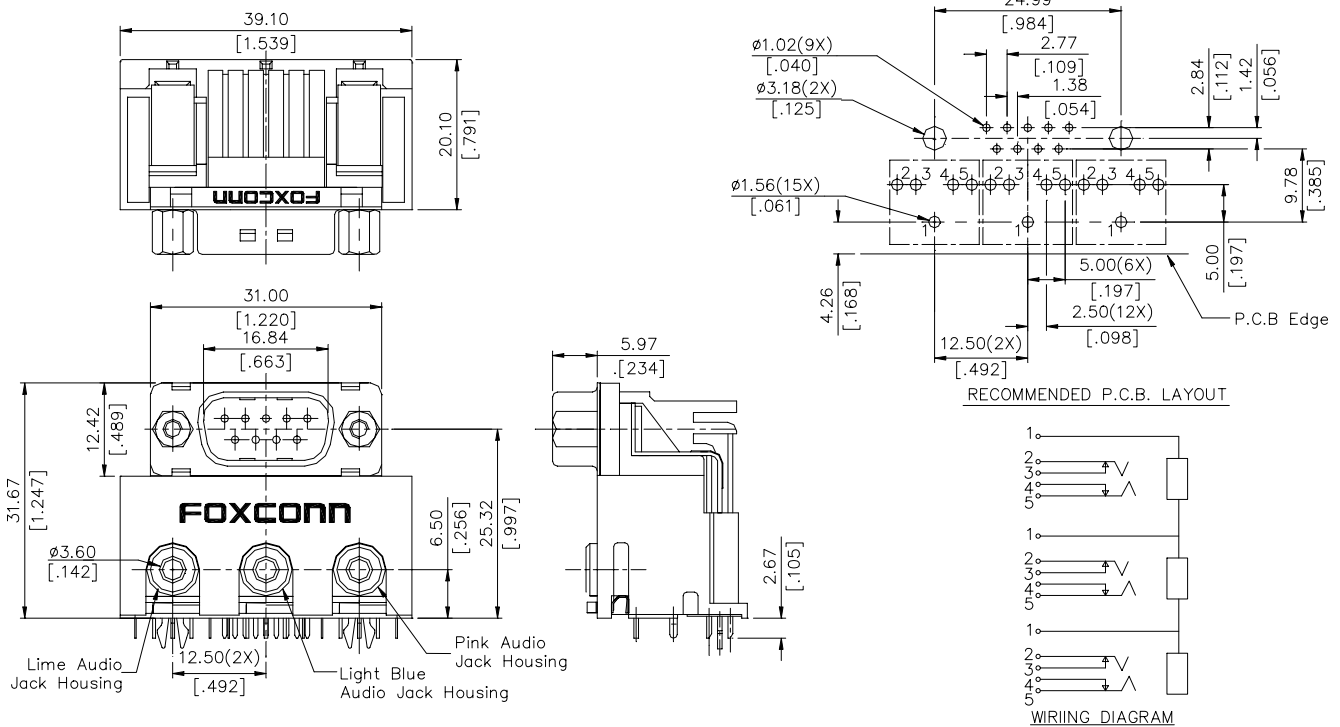
Housing: Thermoplastic, UL 94V-0 rated
Contact: Copper alloy
Plating: See "ORDERING INFORMATION"
Operating Temperature: -55°C to +85°C

D-SUB Connector

DM Series
Right Angle Type, T/H
2.77mm [.109"] Pitch
9 Pos. (Male) +
3 Audio Jack



DRAWING



ORDERING INFORMATION

PRODUCT NO.: DM 1 0 1 5 * - PJ* - 4F

