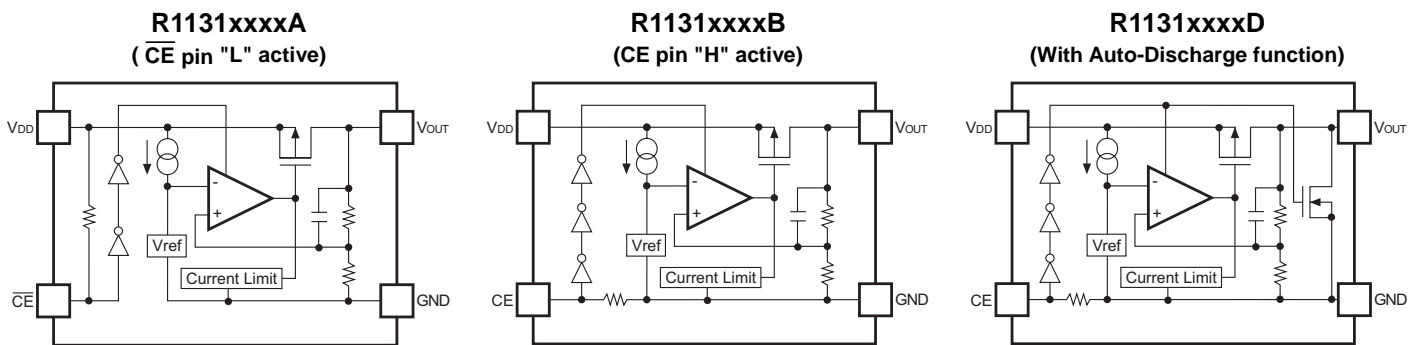


The R1131x Series are CMOS-based LDO regulators featuring 300mA output. The input voltage (V_{IN}) is as low as Min. 1.4V and the output voltage can be set from 0.8V. The CE pin can switch the regulator into standby mode. Ceramic capacitors can be used. ($V_{OUT} \geq 1.0V$)

FEATURES

- Supply Current (I_{SS}) Typ. 80 μ A ($V_{IN}=\text{SET } V_{OUT}+1V, V_{OUT}<1.8V$)
Typ. 60 μ A (Same as above, $V_{OUT} \geq 1.8V$)
- Standby Current ($I_{standby}$) Typ. 0.1 μ A (Same as above, in standby)
- Dropout Voltage (V_{DIF}) Typ. 0.23V ($I_{OUT}=300mA, V_{OUT}=2.8V$)
- Ripple Rejection (RR) Typ. 65dB ($f=1kHz$)
- Input Voltage Range (V_{IN}) 1.4V to 6.0V
- Output Voltage Range (V_{OUT}) 0.8V to 3.3V (internally fixed)
- Output Voltage Accuracy $\pm 2\%$
- Temp. coeff. of Output Voltage Typ. $\pm 100ppm/^{\circ}C$
- Line Regulation Typ. 0.01%/V
- Fold-back Protection Circuit Current limit Typ. 50mA
- Auto-Discharge function D Version
- Packages SON-6, SOT-23-5, HSON-6
- Ceramic capacitors can be used. ... 1 μ F or more ($V_{OUT} \geq 1.0V$)

BLOCK DIAGRAMS



SELECTION GUIDES

Package	Quantity per Reel	Part No.
SON-6	3,000 pcs	R1131Dxx1*-TR-F
SOT-23-5	3,000 pcs	R1131Nxx1*-TR-F
HSON-6	3,000 pcs	R1131Dxx2*-TR-F

- xx : Specify the output voltage within the range 0.8V (08) to 3.3V (33) in 0.1V steps.
- * : Select the polarity of the CE pin from (A) "L" active, (B) "H" active or (D) "H" active with auto-discharge function.

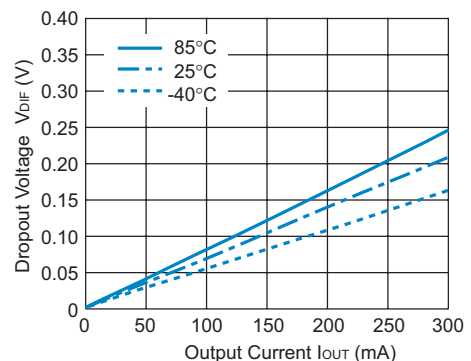
PACKAGES (Top View)

SON-6		SOT-23-5		HSON-6	
1	V_{DD}	1	V_{DD}	1	V_{DD}
2	NC	2	GND	2	NC
3	V_{OUT}	3	\overline{CE} or CE	3	V_{OUT}
4	NC	4	NC	4	NC
5	GND	5	V_{OUT}	5	GND
6	\overline{CE} or CE			6	\overline{CE} or CE

*) The tab and tab suspension leads on back side are substrate level (GND).

TYPICAL CHARACTERISTIC

R1131x33xx Dropout Voltage vs. Output Current



APPLICATIONS

- Power source for hand-held communication equipment, cameras, and VCRs
- Power source for battery-powered equipment
- Power source for home appliances