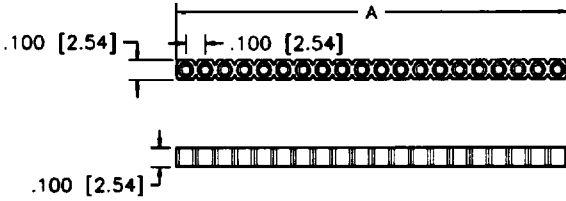
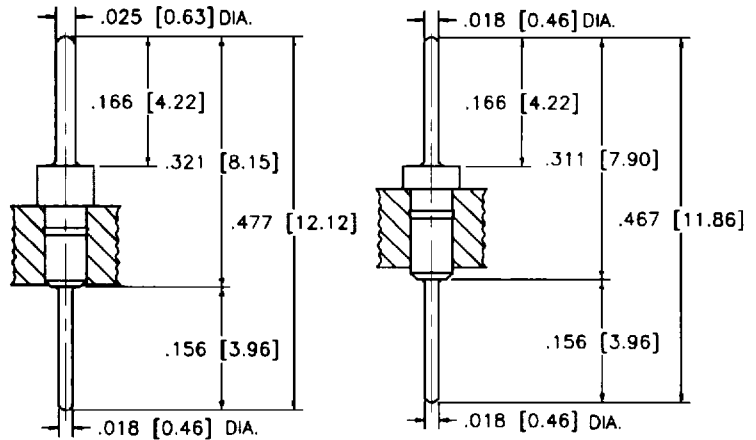
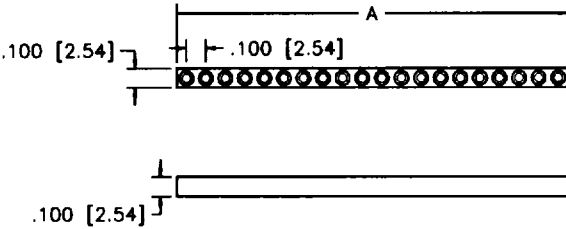


**SERIES 307 SIP BOARD TO BOARD CONNECTOR (SNAP)**  
**308 SIP BOARD TO BOARD CONNECTOR (SOLID)**

**SERIES 307  
SNAP  
BREAKABLE INSULATOR**



**SERIES 308  
SOLID  
SOLID INSULATOR**



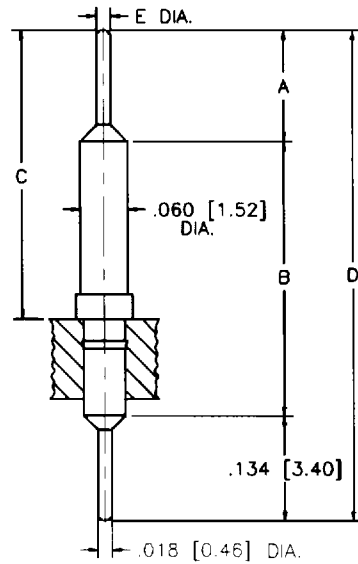
-37 MATERIAL: (1)  
-04 MATERIAL: (2)

-77 MATERIAL: (2)

TERM.	A	B	C	D	E					
-56	.184	4.68	.583	14.82	.630	16.00	.902	22.90	.026	0.65
-58	.140	3.56	.350	8.89	.390	9.91	.624	15.85	.018	0.46
-59	.140	3.56	.457	11.61	.479	12.17	.731	18.57	.018	0.46

PIN	DIM "A"	
2	.200	[5.08] 002
3	.300	[7.62] 003
4	.400	[10.16] 004
5	.500	[12.70] 005
6	.600	[15.24] 006
7	.700	[17.78] 007
8	.800	[20.32] 008
9	.900	[22.86] 009
10	1.000	[25.40] 010
11	1.100	[27.94] 011
12	1.200	[30.48] 012
13	1.300	[33.02] 013
14	1.400	[35.56] 014
15	1.500	[38.10] 015
16	1.600	[40.64] 016

PIN	DIM "A"	
17	1.700	[43.18] 017
18	1.800	[45.72] 018
19	1.900	[48.26] 019
20	2.000	[50.80] 020
21	2.100	[53.34] 021
22	2.200	[55.88] 022
23	2.300	[58.42] 023
24	2.400	[60.96] 024
25	2.500	[63.50] 025
26	2.600	[66.04] 026
27	2.700	[68.58] 027
28	2.800	[71.12] 028
29	2.900	[73.66] 029
30	3.000	[76.20] 030
31	3.100	[78.74] 031
32	3.200	[81.28] 032



-XX MATERIAL: (1)

**TECHNICAL SPECIFICATIONS**

**MATERIAL INSULATOR**

GLASS FILLED POLYESTER  
UL 94V-0 LISTED

**TERMINAL MATERIAL:**

(1) BRASS PER ASTM-B16  
(2) PHOSPHOR BRONZE PER ASTM-B139

**CONTACT**

BeCu PER ASTM-B194

**OPERATING TEMP.**

-65°C TO +125°C

**ORDERING INFORMATION**

