

C-Press® Series 78/79 Header Connectors are MIL-C-83503 compatible. They offer compliant contacts for easier and more economical assembly in a solderless connection to the printed circuit board. The flexibility of three and four-sided header construction backed by 360° polarization protection, assures long term performance and dependability. Polarization is achieved by

a combination of a single center slot and two optional polarizing key locations in the header. Ejector latches make it easy to remove the socket without stressing the P.C. board. In addition, the latch design features a unique snap-in-slot mechanism that assures positive mechanical locking action. Ejector latches are offered in three lengths for sockets - with or without strain relief.

SPECIFICATIONS

INSULATORS

Material: Polyester thermoplastic glass reinforced, UL rated 94 V-O
Color: Natural
Insulation Resistance: 5,000 Megohms (min.)
Operating Temperature: -55°C to +105°C

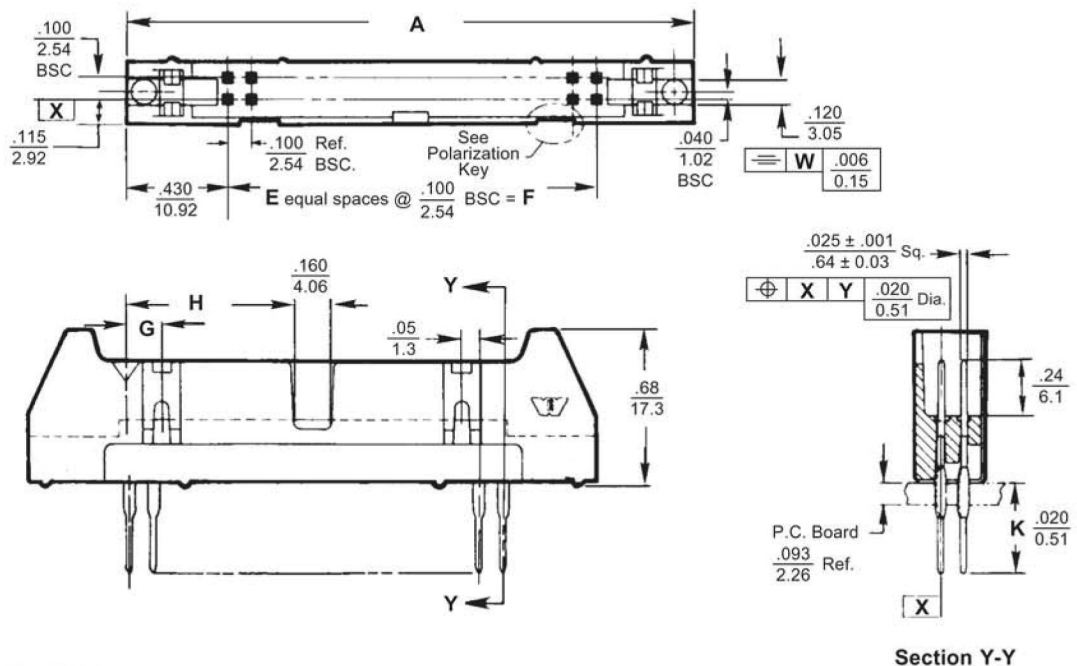
CONTACTS

Material: Copper Alloy 725
Plating: See Plating Chart
Current Rating: 1 amp at 70°C, 3 amps at 20°C.
Contact Resistance: 8 Milliohms (max.)
Insertion Force (Compliant Area): 40 lbs. or less, individual pin
Retention Force (Compliant Area): 10 lbs. minimum, individual pin

CSA Certified File No. LR34182
 Recognized under the Component Program of Underwriters Laboratories Inc. File No. E136181, to Standard UL 1863

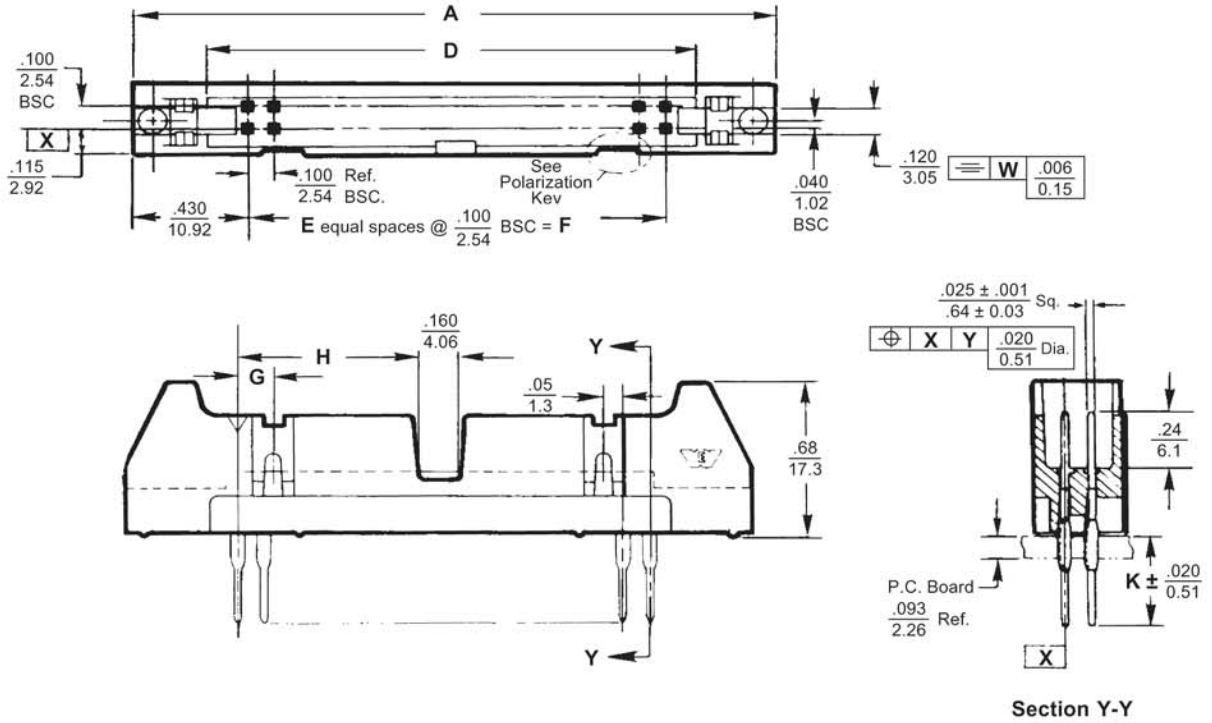
OUTLINE

**Three-Sided Header
78 Series**



OUTLINE

Four-Sided Header
79 Series

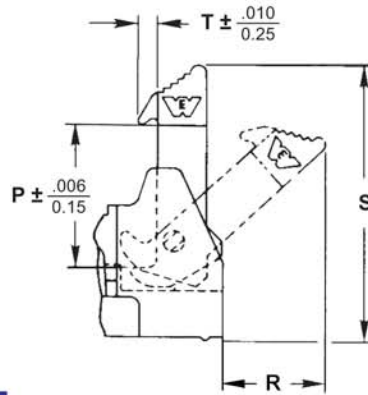


Section Y-Y

DIMENSIONS

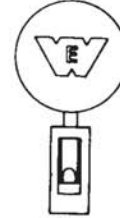
Catalog No.	A	B	D	E	F	G	H
78/79-10	1.26 (32.0)	1.10 (27.9)	.705 (17.91)	4	.400 (10.16)	NOT AVAILABLE	NOT AVAILABLE
78/79-14	1.46 (37.1)	1.30 (33.0)	.905 (22.99)	6	.600 (15.24)	NOT AVAILABLE	.22 (5.6)
78/79-16	1.56 (39.6)	1.40 (35.6)	1.005 (25.53)	7	.700 (17.78)	.15 (3.8)	.27 (6.9)
78/79-20	1.76 (44.7)	1.60 (40.6)	1.205 (30.61)	9	.900 (22.86)	.15 (3.8)	.37 (9.4)
78/79-26	2.06 (52.3)	1.90 (48.3)	1.505 (38.23)	12	1.200 (30.48)	.15 (3.8)	.52 (13.2)
78/79-34	2.46 (62.5)	2.30 (58.4)	1.905 (48.39)	16	1.600 (40.64)	.15 (3.8)	.72 (18.3)
78/79-40	2.76 (70.1)	2.60 (66.0)	2.205 (56.01)	19	1.900 (48.26)	.15 (3.8)	.87 (22.1)
78/79-50	3.26 (82.8)	3.10 (78.7)	2.705 (68.71)	24	2.400 (60.96)	.15 (3.8)	1.12 (28.4)
78/79-60	3.76 (95.5)	3.60 (91.4)	3.205 (81.41)	29	2.900 (73.66)	.15 (3.8)	1.37 (34.8)
78/79-64	3.96 (100.6)	3.80 (96.52)	3.405 (86.49)	31	3.100 (78.74)	.15 (3.8)	1.47 (37.34)

EJECTOR LATCH OUTLINE



Polarization Key

Ordered separately catalog number 109-101831

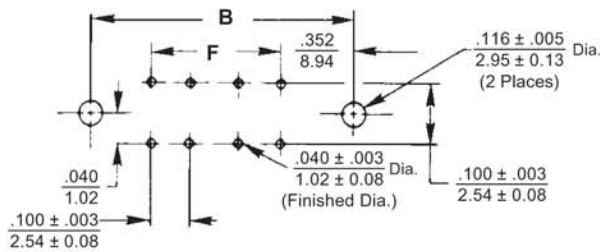


DIMENSIONS

Order Code	P	R	S	T
0	Omit Latches			
1	.430 (10.92)	.29 (7.4)	.96 (24.4)	.08 (2.0)
2	.573 (14.55)	.40 (10.2)	1.10 (27.9)	.08 (2.0)
3	.463 (11.76)	.32 (8.1)	.99 (25.1)	.05 (1.3)

BACKPANEL REQUIREMENTS

Hole pattern



Hole Size & Plating - Standard C-Press®:
Winchester illustration on page CP/4.

NOTE: Consult Winchester Electronics for C-Press® applications for backpanels less than .093" thick and for bare copper plated through holes.

ORDERING INFORMATION

78 / 79 -- - - - - - - - - - -

Step 1

Series Code:
Series 78 (3-sided)
Series 79 (4-sided)

Step 2

No. of Contacts:
10, 14, 16, 20, 26,
34, 40, 50, 60, 64

Step 3

Tail Length Options:
1 = .160" (4.06)
2 = .555" (14.10)*
3 = .685" (17.40)*
6 = .210" (5.33)
*.025" sq. wire wrap tails

Step 4

Ejector Latch Options:
0 = No latch required
1 = For use with 61 or 81 series socket connector **without** strain relief
2 = For use with 61 or 81 series socket connector **with** strain relief
3 = For use with 51 series socket connector **with** or **without** strain relief
4 = Ejectors only

Step 5

Plating:
Standard:
D - .000030 Au selective plating over .000040 Ni on contact area. Bright solder on C-section and tail.
Option:
C - .000030 Au selective plating over .000040 Ni on contact area. Au Flash on C-section and tail.

Step 6

4498 - is required on size 10 and 14 to receive center slot