

Customer Information Sheet

DRAWING No.: BH-53XXX22

SHEET 2 OF 2

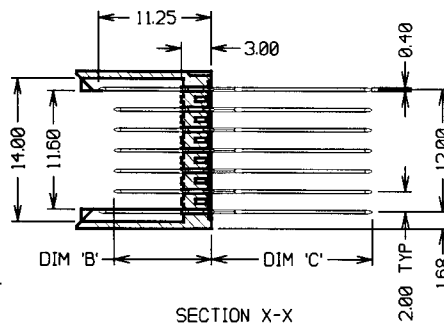
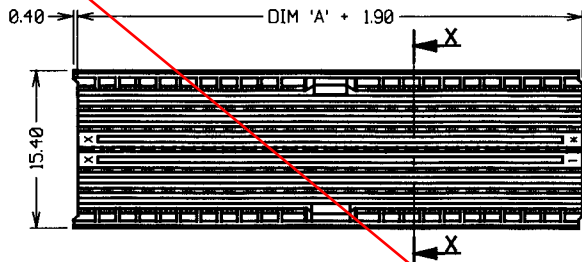
IF IN DOUBT - ASK

(C)

NOT TO SCALE

THIRD ANGLE PROJECTION

ALL DIMENSIONS IN mm



SPECIFICATIONS:

MATERIALS:
 MOULDING - 15% GLASS-FILLED PBT, UL94V-0, NATURAL
 CONTACTS - PHOSPHOR BRONZE

FINISH:
 CONTACTS - 0.76µ GOLD ON CONTACT AREA,
 1.27-2.54µ TIN/LEAD ON TAILS

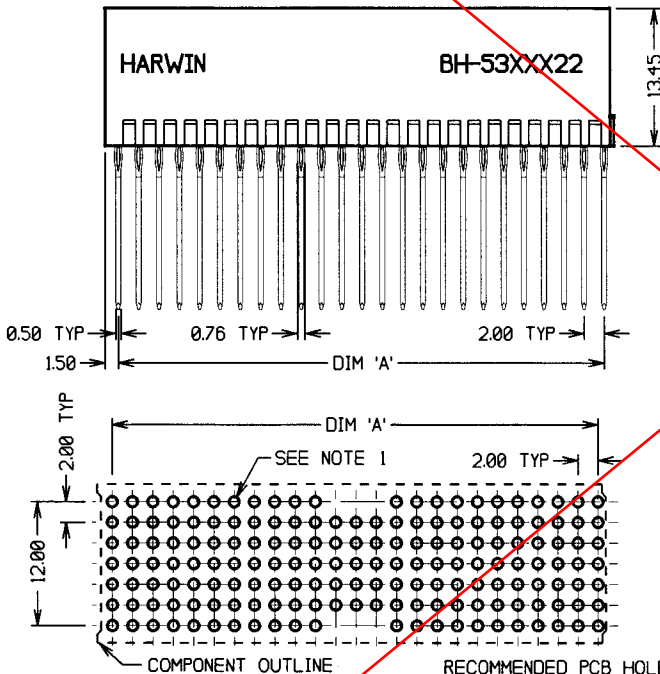
ELECTRICAL:
 CURRENT RATING - 1 AMP
 VOLTAGE RATING - 30V AC
 DIELECTRIC STRENGTH - 1.000V AC FOR 1 MINUTE
 CONTACT RESISTANCE - 45 MILLIOHMS MAX
 INSULATION RESISTANCE - 100 MEGOHMS MIN

MECHANICAL:
 DURABILITY - 250 OPERATIONS
 PRESS-FIT INSERTION FORCE - 50N MAX PER CONTACT

ENVIRONMENTAL:
 TEMPERATURE RANGE - -55°C TO +125°C

PACKING:
 TUBE

OBSOLETE



RECOMMENDED PCB HOLE LAYOUT.
 FOR BH-53X2222 (36 SHIELD CONTACTS),
 REMOVE 4 HOLES EACH SIDE.

NOTES:

- PCB HOLES TO BE PLATED THROUGH HOLES.
 DRILLED HOLE = $\varnothing 0.69-0.72$ mm.
 PLATING THICKNESSES - 25µ MIN COPPER, 5-15µ TIN.
 FINAL PLATED HOLE = $\varnothing 0.55-0.65$ mm.
- MATES WITH FEMALE CONNECTOR BH-586XX22.
- FOR COMPLETE SPECIFICATION, SEE COMPONENT SPECIFICATION C038XX (LATEST ISSUE).

PART No.	No. OF SIGNAL CONTACTS	No. OF SHIELD CONTACTS	DIM 'A'	DIM 'B'	DIM 'C'
BH-5301922	95	32	36.00	8.25	3.70
BH-5302222	110	36	42.00	8.25	3.70
BH-5302522	125	44	48.00	8.25	3.70
BH-5311922	95	32	36.00	8.25	13.05
BH-5312222	110	36	42.00	8.25	13.05
BH-5312522	125	44	48.00	8.25	13.05
BH-5321922	95	32	36.00	8.25	14.55
BH-5322222	110	36	42.00	8.25	14.55
BH-5322522	125	44	48.00	8.25	14.55
BH-5331922	95	32	36.00	8.25	16.05
BH-5332222	110	36	42.00	8.25	16.05
BH-5332522	125	44	48.00	8.25	16.05
BH-5341922	95	32	36.00	9.75	3.70
BH-5342222	110	36	42.00	9.75	3.70
BH-5342522	125	44	48.00	9.75	3.70
BH-5351922	95	32	36.00	9.75	13.05
BH-5352222	110	36	42.00	9.75	13.05
BH-5352522	125	44	48.00	9.75	13.05
BH-5361922	95	32	36.00	9.75	14.55
BH-5362222	110	36	42.00	9.75	14.55
BH-5362522	125	44	48.00	9.75	14.55
BH-5371922	95	32	36.00	9.75	16.05
BH-5372222	110	36	42.00	9.75	16.05
BH-5372522	125	44	48.00	9.75	16.05

WJB	2	0305.02	6628
WJB	1	0304.02	----
NAME	ISS.	DATE	C/NOTE
APPROVED:			
CHECKED:			
DRAWN:	W. J. BOURNE		
CUSTOMER REF.:			
ASSEMBLY DRG.:			

HARWIN			THIS DRAWING AND ALL INFORMATION OR DESCRIPTIVE MATTER SET OUT HEREON ARE CONFIDENTIAL AND COPYRIGHT PROPERTY OF THE HARWIN GROUP AND MUST NOT BE DISCLOSED, LOANED, COPIED OR USED FOR MANUFACTURING, TENDERING OR FOR ANY OTHER PURPOSE WITHOUT THEIR WRITTEN PERMISSION.	TOLERANCES X. - ± 1 mm X.X - ± 0.25 mm X.XX - ± 0.10 mm X.XXX - ± 0.01 mm ANGLES = $\pm 5^\circ$ UNLESS STATED	MATERIAL: SEE ABOVE FINISH: SEE ABOVE S/AREA: mm ²	TITLE: 5-ROW HARD METRIC 2mm PITCH MALE CONNECTOR TYPE AB (+ SHIELD CONTACTS) DRAWING NUMBER:	SH2 2 OF 2
HARWIN INC U.S.A. TEL: (812) 285 0055 FAX: (812) 285 0056	HARWIN PLC UK. TEL: 023 9237 0451 FAX: 023 9231 4590	HARWIN PTE SINGAPORE TEL: 65 7791909 FAX: 65 7793868					