

Fine Pitch SMT Board to Board Connectors

Series 5047



Series 5047 is the board to board, fine pitch connector which meets the requirement for high density circuitry in the market and designed especially for portable equipment. Mated height between boards can be 5.0mm or 7.0mm.

FEATURES

Designed to have the strong resistance against torque forces on mating area to achieve the high reliability in the natural fall shock environment.

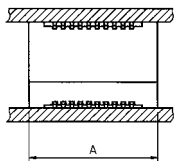
Adoption of bellows type contact with excellent contact reliability.

High durability to achieve 50 times of mating and unmating cycles.

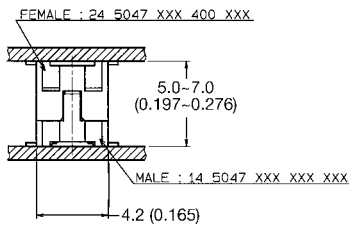
Parts are supplied in tape and reel with 800 pieces per reel.

SPECIFICATIONS

Series	5047
Mated Height	5.0, 7.0mm
Pitch	0.5mm
Current	0.4A Max
Voltage	50V Max
D.W. Voltage	500V rms/min
Mating Cycles	50



No. of Pos.	Dimension A
020	7.5 (0.295)
030	10.0 (0.394)
040	12.5 (0.492)
050	15.0 (0.591)
060	17.5 (0.689)
070	20.0 (0.787)
080	22.5 (0.886)
90	25.0 (0.984)
100	27.5 (1.083)



Series	Variation	Mated Height	Gold Plating	Strain Relief	Vacuum Cover	Part Number	Number of Positions									
							020	030	040	050	060	070	080	090	100	
5047	Plug	5.0mm	0.1µm	1	O	14 5047 XXX 9 50 856	O	O	O	O	O	O	O	O	O	O
						14 5047 XXX 4 50 856	O	O	O	O	O	O	O	O	O	O
		0.2µm	1	O	14 5047 XXX 9 50 861	O	O	O	O	O	O	O	O	O	O	
					14 5047 XXX 4 50 861	O	O	O	O	O	O	O	O	O	O	
	7.0mm	0.1µm	1	O	14 5047 XXX 9 70 856	O	O	O	O	O	O	O	O	O	O	
					14 5047 XXX 4 70 856	O	O	O	O	O	O	O	O	O	O	
		0.2µm	1	O	14 5047 XXX 9 70 861	O	O	O	O	O	O	O	O	O	O	
					14 5047 XXX 4 70 861	O	O	O	O	O	O	O	O	O	O	
Receptacle			0.1µm	1	1	24 5047 XXX 4 00 856	O	O	O	O	O	O	O	O	O	
						24 5047 XXX 4 00 861	O	O	O	O	O	O	O	O	O	O

O = Available
1 = Not available

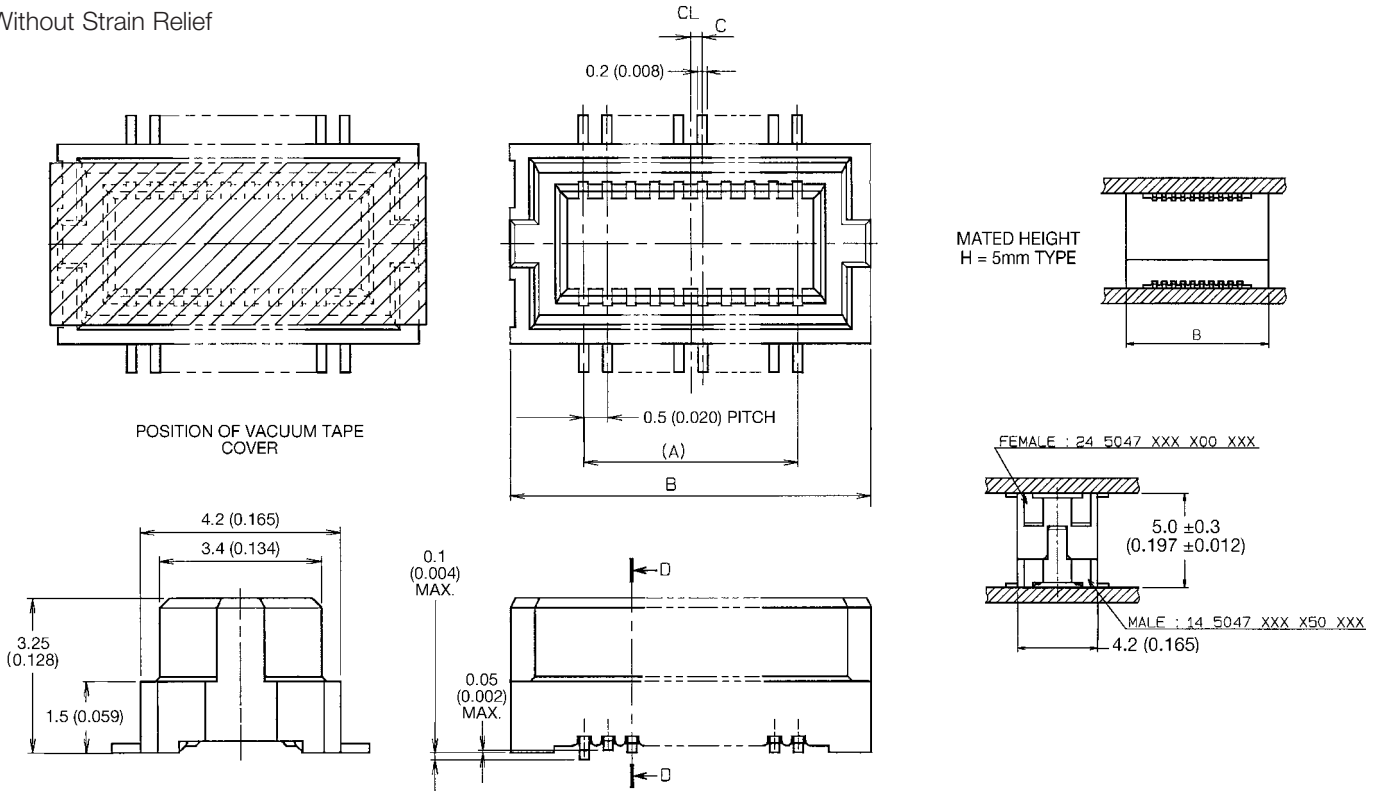
Fine Pitch SMT Board to Board Connectors



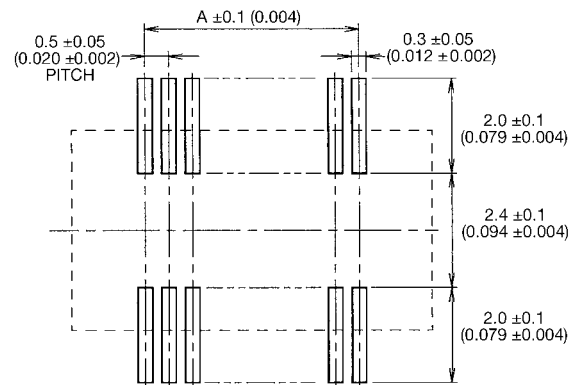
Series 5047

Plug for Mated Height with Receptacle of 5.0mm

Without Strain Relief



No. of Pos.	Dimension		
	A	B	C
020	4.5 (0.177)	7.5 (0.295)	0.25 (0.010)
030	7.0 (0.276)	10.0 (0.394)	0.5 (0.020)
040	9.5 (0.374)	12.5 (0.492)	0.25 (0.010)
050	12.0 (0.472)	15.0 (0.591)	0.5 (0.020)
060	14.5 (0.571)	17.5 (0.689)	0.25 (0.010)
070	17.0 (0.669)	20.0 (0.787)	0.5 (0.020)
080	19.5 (0.768)	22.5 (0.886)	0.25 (0.010)
090	22.0 (0.866)	25.0 (0.984)	0.5 (0.020)
100	24.5 (0.965)	27.5 (1.083)	0.25 (0.010)



RECOMMENDED P.C. BOARD LAYOUT

HOW TO ORDER

14	5047	XXX	X50	XXX
Prefix 14 = Male	Series Number	Number of Positions 020 030 040 050 060 070 080 090 100	Variation Code 9 = With vacuum cover 4 = Without vacuum cover	Finish Code 856 = A _μ 0.1μm/min. 861 = A _μ 0.2μm/min.

Mated Height	P/N	
	5.0mm	Female
	Male	14 5047 XXX X50 XXX

Parts are supplied in tape and reel packaging with 800 pieces per reel.



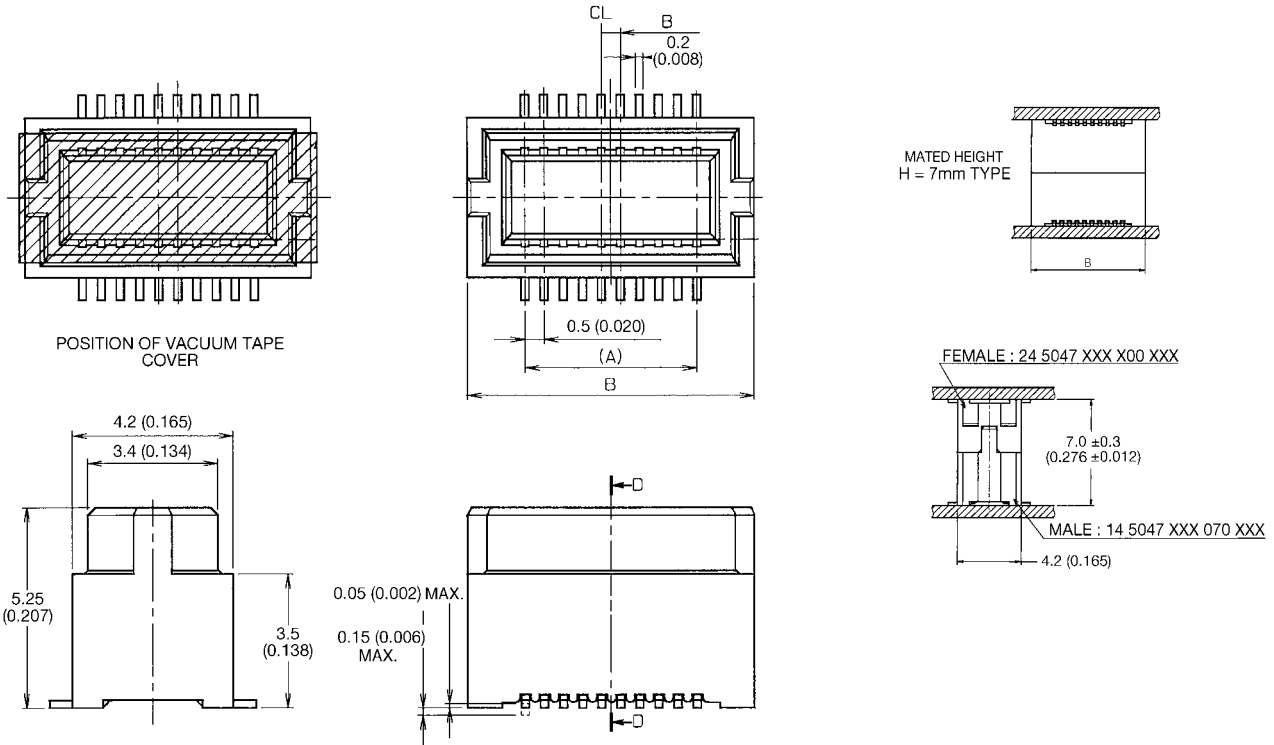
Fine Pitch SMT Board to Board Connectors



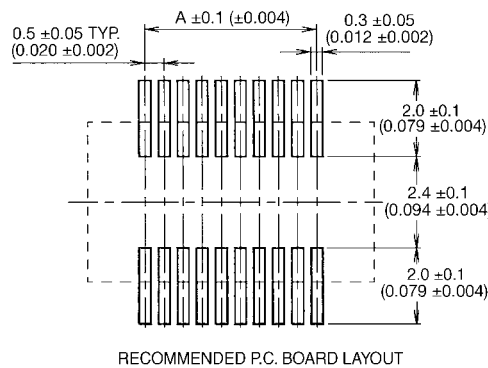
Series 5047

Plug for Mated Height with Receptacle of 7.0mm

Without Strain Relief



No. of Pos.	Dimension		
	A	B	C
020	4.5 (0.177)	7.5 (0.295)	0.25 (0.010)
030	7.0 (0.276)	10.0 (0.394)	0.5 (0.020)
040	9.5 (0.374)	12.5 (0.492)	0.25 (0.010)
050	12.0 (0.472)	15.0 (0.591)	0.5 (0.020)
060	14.5 (0.571)	17.5 (0.689)	0.25 (0.010)
070	17.0 (0.669)	20.0 (0.787)	0.5 (0.020)
080	19.5 (0.768)	22.5 (0.886)	0.25 (0.010)
090	22.0 (0.866)	25.0 (0.984)	0.5 (0.020)
100	24.5 (0.965)	27.5 (1.083)	0.25 (0.010)



HOW TO ORDER

14
Prefix
14 = Male

5047
Series Number

XXX
Number of Positions

X70
Variation Code
9 = With vacuum cover
4 = Without vacuum cover

XXX
Finish Code
856 = $\text{A}\mu$ 0.1 $\mu\text{m}/\text{min}$.
861 = $\text{A}\mu$ 0.2 $\mu\text{m}/\text{min}$.

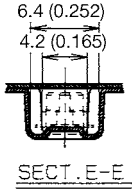
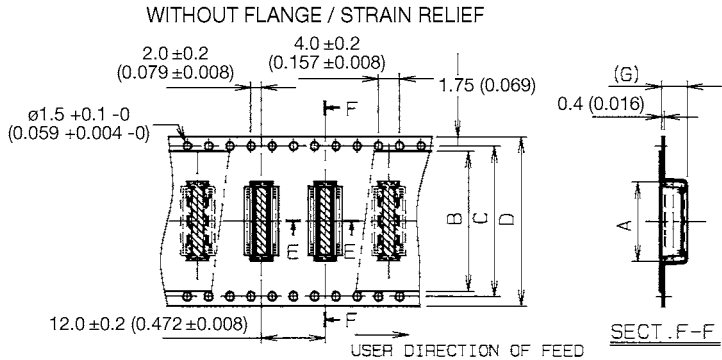
Parts are supplied in tape and reel packaging with 800 pieces per reel.

- 020
- 030
- 040
- 050
- 060
- 070
- 080
- 090
- 100



Fine Pitch SMT Board to Board Connectors

Series 5047 Plug Tape and Reel Package H=5.0, 7.0mm



Height	G
H=5.0	4.8 (0.189)
H=7.0	6.8 (0.268)

	No. of Pos.	A	B	C	D
32mm Tape	020	7.5 (0.295)	26.5 (1.043)	28.4 (1.118)	32.0 (1.260)
	030	10.0 (0.394)			
	040	12.5 (0.492)			
	050	15.0 (0.591)			
	060	17.5 (0.689)			
44mm Tape	070	20.0 (0.787)	38.5 (1.516)	40.4 (1.591)	44.0 (1.732)
	080	22.5 (0.886)			
	090	25.0 (0.984)			
	100	27.5 (1.083)			



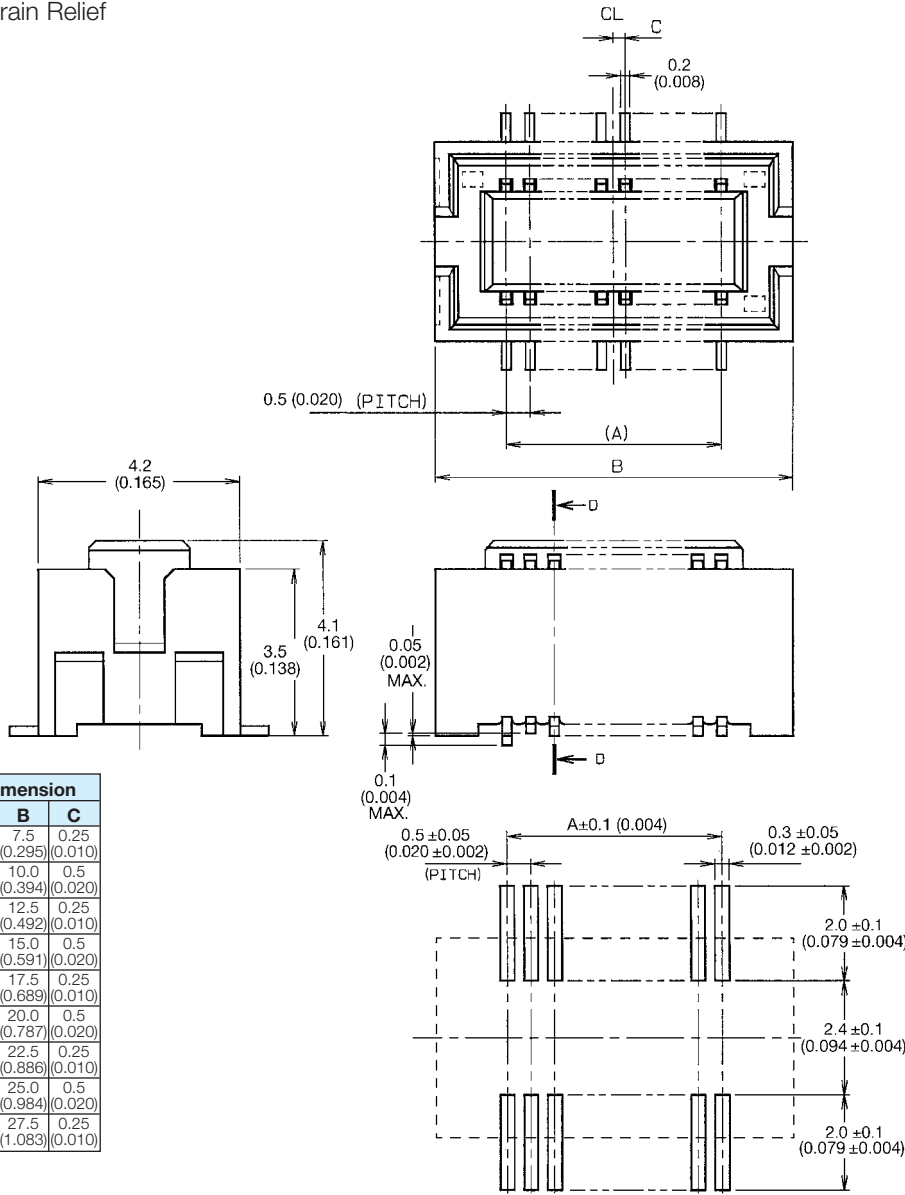
Fine Pitch SMT Board to Board Connectors



Series 5047

Receptacle for Mated Height with Plug of 5.0 or 7.0mm

Without Strain Relief



No. of Pos.	Dimension		
	A	B	C
020	4.5 (0.177)	7.5 (0.295)	0.25 (0.010)
030	7.0 (0.276)	10.0 (0.394)	0.5 (0.020)
040	9.5 (0.374)	12.5 (0.492)	0.25 (0.010)
050	12.0 (0.472)	15.0 (0.591)	0.5 (0.020)
060	14.5 (0.571)	17.5 (0.689)	0.25 (0.010)
070	17.0 (0.669)	20.0 (0.787)	0.5 (0.020)
080	19.5 (0.768)	22.5 (0.886)	0.25 (0.010)
090	22.0 (0.866)	25.0 (0.984)	0.5 (0.020)
100	24.5 (0.965)	27.5 (1.083)	0.25 (0.010)

RECOMMENDED P.C. BOARD LAYOUT

HOW TO ORDER

24

Prefix
24 = Female

5047

Series Number

XXX

Number of Positions

- 020
- 030
- 040
- 050
- 060
- 070
- 080
- 090
- 100

X00

Variation Code
4 = Without vacuum cover

XXX

Finish Code
856 = A_μ 0.1μm/min.
861 = A_μ 0.2μm/min.

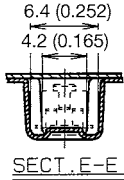
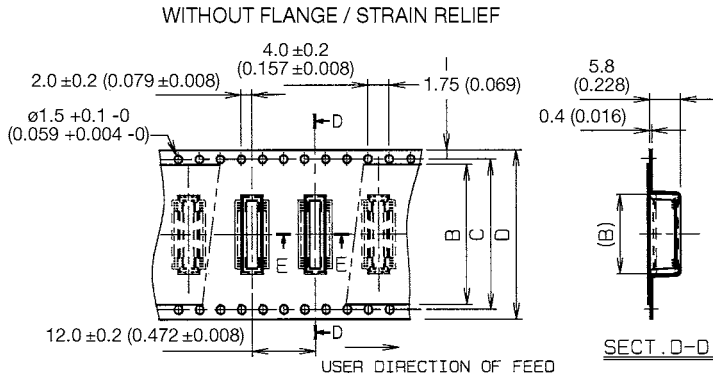
Parts are supplied in tape and reel packaging with 800 pieces per reel.

Mated Height	P/N	
5.0mm	Female	24 5047 XXX X00 829
	Male	14 5047 XXX X50 829
7.0mm	Female	24 5047 XXX X00 829
	Male	14 5047 XXX X70 829



Fine Pitch SMT Board to Board Connectors

Series 5047 Receptacle Tape and Reel Package



	No. of Pos.	A	B	C	D
32mm Tape	020	7.5 (0.295)	26.5 (1.043)	28.4 (1.118)	32.0 (1.260)
	030	10.0 (0.394)			
	040	12.5 (0.492)			
	050	15.0 (0.591)			
	060	17.5 (0.689)			
44mm Tape	070	20.0 (0.787)	38.5 (1.516)	40.4 (1.591)	44.0 (1.732)
	080	22.5 (0.886)			
	090	25.0 (0.984)			
	100	27.5 (1.083)			

