

SPECIFICATIONS

Mechanical

Contact Retention Force: 350g min.
Durability: 1000 Cycles

Electrical

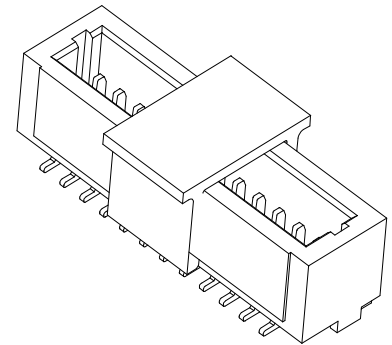
Voltage Rating: 50V
Current Rating: 1.0A per pin min.
Contact Resistance: 30mW max
Dielectric Withstanding Voltage: 250V AC
Insulation Resistance: 100MW min

Physical

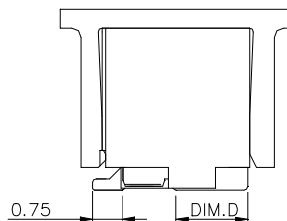
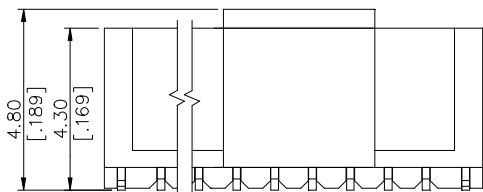
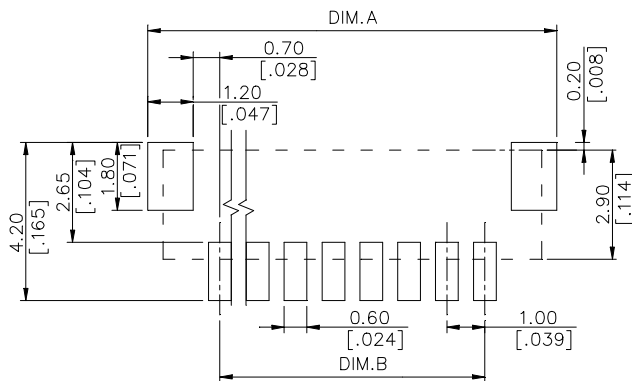
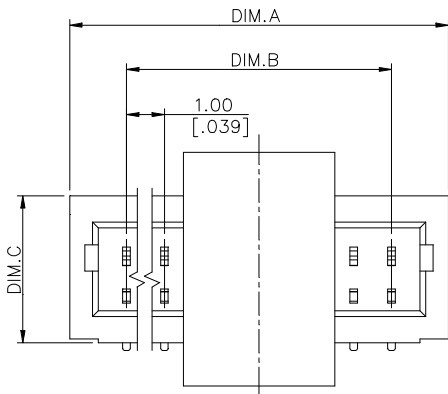
Housing: High temp thermoplastic, UL94V-0, rated in Ivory Color
Cap: High temp thermoplastic, UL94V-0, rated in Black Color
Contact: Copper Alloy
Plating: See "ORDERING INFORMATION"
Solder Pad: Copper Alloy
Operating Temperature: -25 to +85

Header Connector

HS61 Series
Vertical, SMT Type, Plug
1.00mm [.039"] Pitch

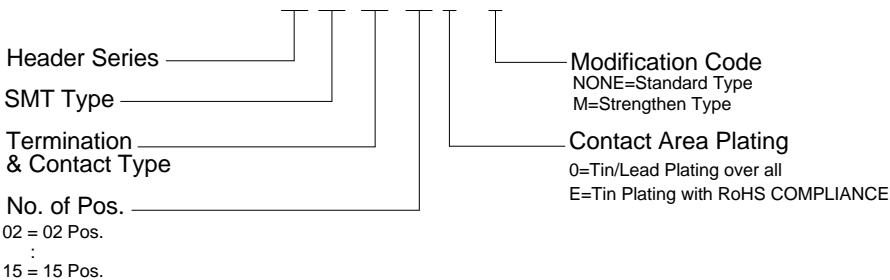


DRAWING



ORDERING INFORMATION

PRODUCT NO.: H S 61 ** * - *



See the Attachment

HS6115*	15	17.3 [.681]	14.00 [.551]	2.90 [.114]	1.50 [.059]
HS6114*	14	16.3 [.642]	13.00 [.512]		
HS6113*	13	15.3 [.602]	12.00 [.472]		
HS6112*	12	14.3 [.563]	11.00 [.433]		
HS6111*	11	13.3 [.524]	10.00 [.394]		
HS6110*	10	12.3 [.484]	9.00 [.354]		
HS6109*	9	11.3 [.445]	8.00 [.315]		
HS6108*	8	10.3 [.406]	7.00 [.276]		
HS6107*	7	9.3 [.366]	6.00 [.236]		
HS6106*	6	8.3 [.327]	5.00 [.197]		
HS6105*	5	7.3 [.287]	4.00 [.157]		
HS6104*	4	6.3 [.248]	3.00 [.118]		
HS6103*	3	5.3 [.209]	2.00 [.079]		
HS6102*	2	4.3 [.169]	1.00 [.039]		
P/N	POS.	DIM.A	DIM.B	DIM.C	DIM.D

HS6115*-M	15	17.3 [.681]	14.00 [.551]	3.90 [.154]	1.95 [.077]
HS6114*-M	14	16.3 [.642]	13.00 [.512]		
HS6113*-M	13	15.3 [.602]	12.00 [.472]		
HS6112*-M	12	14.3 [.563]	11.00 [.433]		
HS6111*-M	11	13.3 [.524]	10.00 [.394]		
HS6110*-M	10	12.3 [.484]	9.00 [.354]		
HS6109*-M	9	11.3 [.445]	8.00 [.315]		
HS6108*-M	8	10.3 [.406]	7.00 [.276]		
HS6107*-M	7	9.3 [.366]	6.00 [.236]		
HS6106*-M	6	8.3 [.327]	5.00 [.197]		
HS6105*-M	5	7.3 [.287]	4.00 [.157]		
HS6104*-M	4	6.3 [.248]	3.00 [.118]		
HS6103*-M	3	5.3 [.209]	2.00 [.079]		
HS6102*-M	2	4.3 [.169]	1.00 [.039]		
P/N	POS.	DIM.A	DIM.B	DIM.C	DIM.D