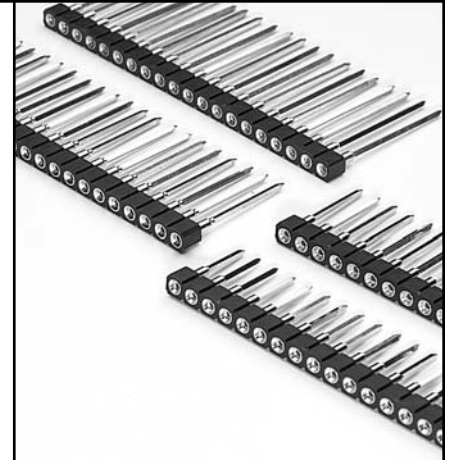


Fig. 1

- Wraposts available in 4 levels using M-M pin numbers:

- 1-Level uses pin # 0040-1
- 2-Level uses pin # 0089-2
- 3-Level uses pin # 0088-3
- 4-Level uses pin # 0086-4

- Hi-Rel, 4-finger BeCu #30 clip rated at 3 amps. See page 208 for details.



Ordering Information

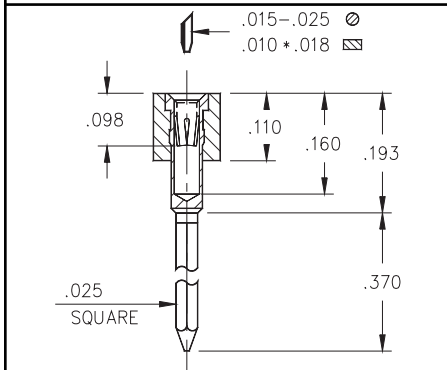


Fig. 2

Fig. 1

Series 321...001 1 Level Wrapost

321-XX-1__-41-001

Specify # of pins → 01-64

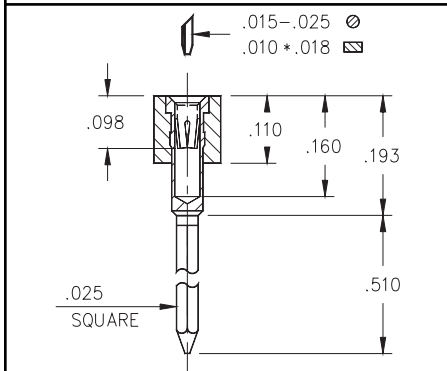


Fig. 3

Fig. 2

Series 322...001 2 Level Wrapost

322-XX-1__-41-001

Specify # of pins → 01-64

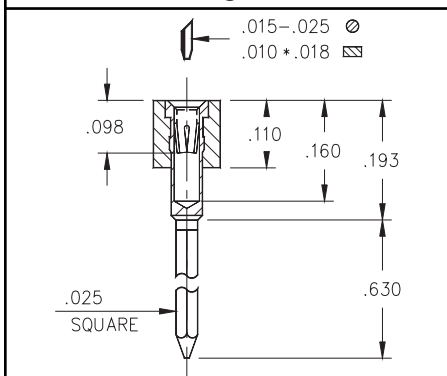


Fig. 4

Fig. 3

Series 323...001 3 Level Wrapost

323-XX-1__-41-001

Specify # of pins → 01-64

Series 324...002 4 Level Wrapost

324-XX-1__-41-002

Specify # of pins → 01-64

XX= Plating Code
See Below

SPECIFY PLATING CODE XX=	13		93	
Sleeve (Pin)	10μ" Au		200μ" Sn/Pb	
Contact (Clip)	30μ" Au		30μ" Au	