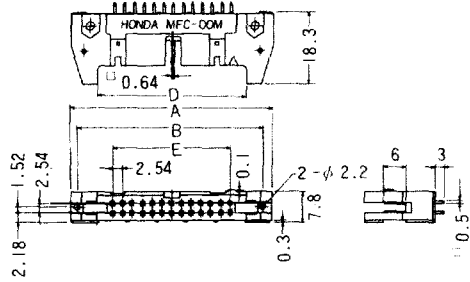
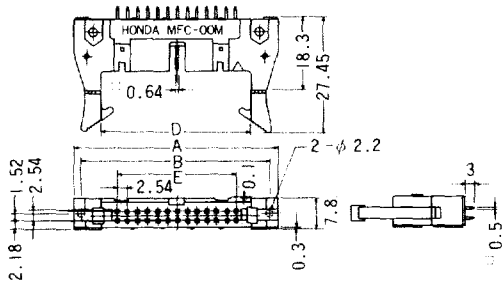


# 3-WALL MALE CONNECTOR FOR SOLDER DIP

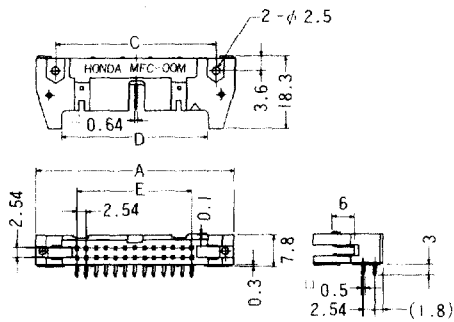
## MFC-( )M



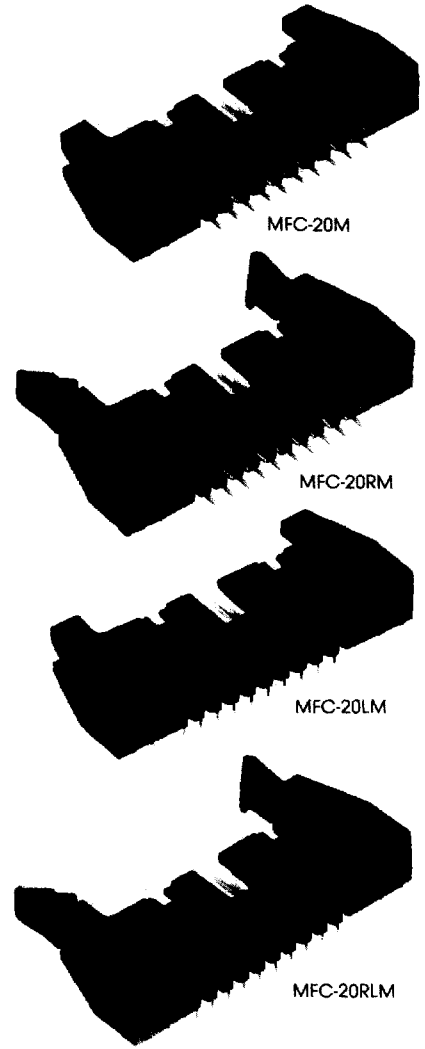
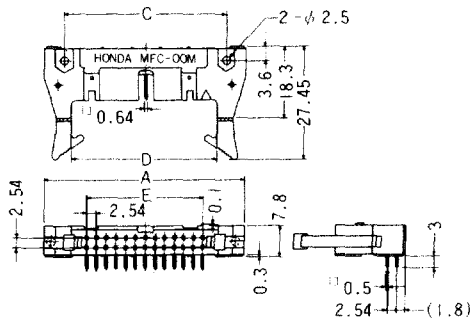
## MFC-( )RM



## MFC-( )LM



## MFC-( )RLM



Part No.	A	B	C	D	E
* MFC-10 M, LM RM, RLM	32.0	28.0	21.9	18.2	10.16
* MFC-14 M, LM RM, RLM	37.1	33.0	26.9	23.3	15.24
MFC-16 M, LM RM, RLM	39.6	35.5	29.4	25.8	17.78
MFC-20 M, LM RM, RLM	44.7	40.6	34.5	30.9	22.86
MFC-26 M, LM RM, RLM	52.3	48.3	42.2	38.5	30.48
* MFC-30 M, LM RM, RLM	57.4	53.3	47.2	43.6	35.56
MFC-34 M, LM RM, RLM	62.5	58.4	52.3	48.7	40.64
MFC-40 M, LM RM, RLM	70.1	66.0	59.9	56.3	48.26
MFC-50 M, LM RM, RLM	82.8	78.7	72.6	69.0	60.96
MFC-60 M, LM RM, RLM	95.5	91.4	85.3	81.7	73.66
MFC-64 M, LM RM, RLM	100.6	96.5	90.4	86.8	78.74

\* : planning stage

10-contact connectors have no groove for click key insertion.