

**STRAIGHT PLUGS AND JACKS**

Straight Clamp Plug

Part Number	Cable Numbers
050 - 007 - 0000220	RG174/U, 316/U

Straight Crimp Plug

Part Number	Cable Numbers
050 - 024 - 0000220	RG174/U, 316/U

Straight Crimp Bulkhead Jack

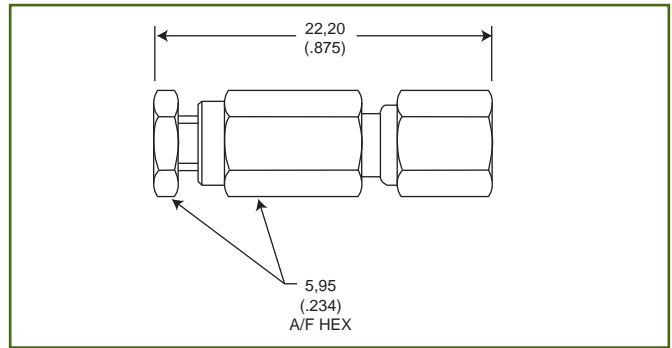
Part Number	Cable Numbers
050 - 027 - 0000220	RG174/U, 316/U

**RIGHT ANGLE PLUGS**

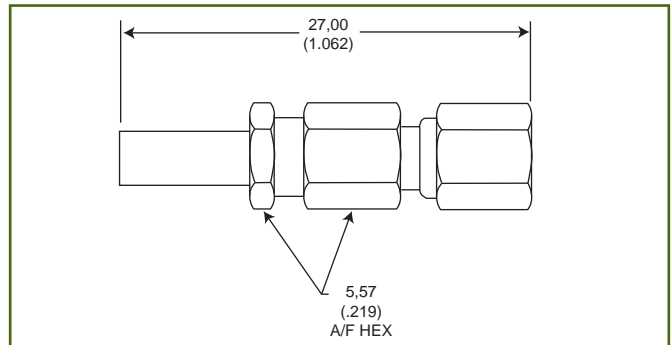
Right Angle Crimp Plug

Part Number	Cable Numbers
B50 - 328 - 3188220	RG174/U, 316/U
B50 - 328 - 9399220	RD316, 179

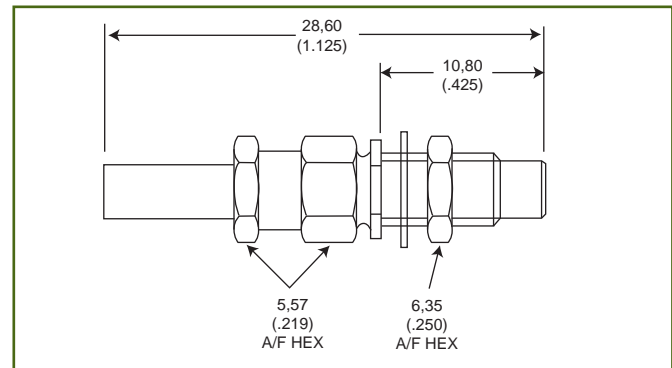
SMC CONNECTORS HAVE SOLDER CENTER CONTACTS



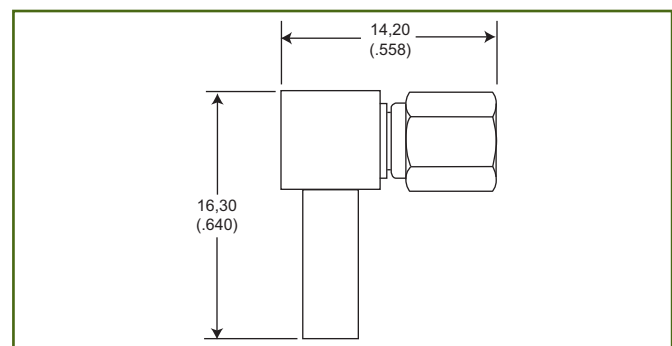
Assembly Instructions BAI-001 (Page 52)



Assembly Instructions BAI-003 (Page 50)



Mounting Plan V (Page 40)  
Assembly Instructions BAI-003 (Page 50)



Assembly Instructions  
BAI-015 (Page 49)

