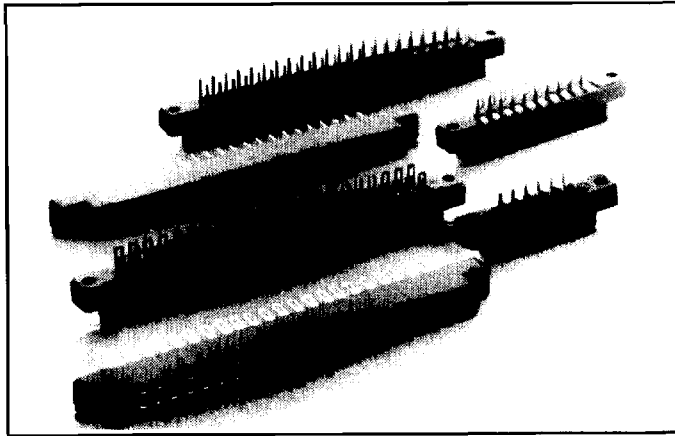


.156" (3.96mm) Series 181, 281, 183, 283 Single Readout Card Edge Connector



.156 (3.96) Centers
Card Edge
Series 181, 281, 183, 283
SINGLE READOUT



Features

- Single and dual readout bifurcated bellows contacts with maximum wiping area
- Will accept printed circuit board thickness variation of .054 to .070 (1.37 to 1.78)
- Terminal row spacing, .140 & .200 (3.56 & 5.08) spacing available
- In and between contact polarization
- Meets performance criteria of MIL-C-21097

Specifications

Operating Voltage: 600 VAC rms at sea level

Current Rating: 5 Amps continuous

Contact Resistance: 6 milliohms, 30 millivolts at rated current

Contact Material: Copper alloy

Contact Plating: See part number coding

Insulator Material: Diallyl phthalate, glass filled, flame resistant per MIL-M-14, Type SDG-F, green; phenolic, glass filled per MIL-M-14, Type MFH, black

In Contact Polarization Keys: P/N 116-1003-01, order separately

Between Contact Polarization Keys: P/N 116-1056-00, order separately

PART NUMBER CODING

X8X - XXX - 01

CONTACT PLATING
CONTACT SURFACE **TERMINATION**
01 = .000010 GOLD GOLD FLASH
GOLD PLATED OVER .000050
NICKEL
FOR OTHER PLATINGS CONSULT
FACTORY

NUMBER OF CONTACTS

0 = 6
1 = 8
2 = 10
3 = 12
4 = 15
5 = 18
6 = 22
7 = 24

TERMINATION STYLE

0 = SOLDER EYE
1 = DIP SOLDER

MOUNTING STYLE (SEE CHART NEXT PAGE)

0 = CLEARANCE HOLE — .128 DIA. (3.25)
1 = CLEARANCE HOLE — .142 DIA. (3.61)
2 = FLOATING GROMMET — .115 I.D. (2.92)
3 = THREADED INSERTS — #4-40
6 = NO MOUNTING EARS

CARD INSERTION DEPTH

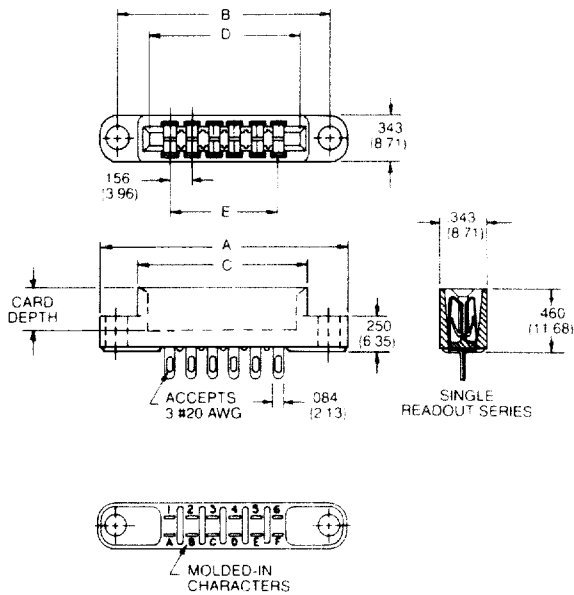
1 = .333 (.846) CARD DEPTH
3 = .300 (.762) CARD DEPTH

INSULATOR MATERIAL

1 = DIALLYL PHTHALATE — GREEN
2 = PHENOLIC — BLACK

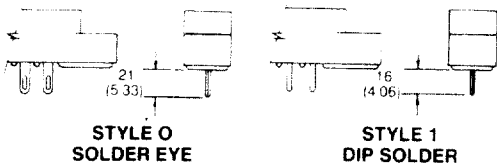


Single Readout

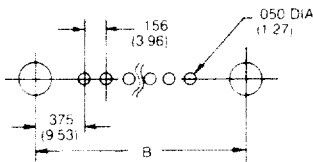


PART NUMBER	NUMBER OF CONTACTS	NUMBER				
		A	B	C	D	E
X8X-XX0-XX	6	1.785 (45.34)	1.531 (38.89)	1.239 (31.47)	1.099 (27.91)	781 (19.84)
X8X-XX1-XX	8	2.097 (53.26)	1.843 (46.81)	1.551 (39.40)	1.411 (35.84)	1.093 (27.76)
X8X-XX2-XX	10	2.410 (61.21)	2.156 (54.76)	1.664 (42.35)	1.724 (43.79)	1.406 (35.71)
X8X-XX3-XX	12	2.722 (69.14)	2.468 (62.69)	2.176 (55.27)	2.036 (51.71)	1.718 (43.64)
X8X-XX4-XX	15	3.191 (81.05)	2.937 (74.60)	2.645 (67.18)	2.505 (63.63)	2.187 (55.55)
X8X-XX5-XX	18	3.659 (92.94)	3.405 (86.49)	3.113 (79.07)	2.973 (75.51)	2.655 (67.44)
X8X-XX6-XX	22	4.284 (108.81)	4.030 (102.36)	3.738 (94.95)	3.598 (91.39)	3.280 (83.31)
X8X-XX7-XX	24	4.597 (116.76)	4.343 (110.31)	4.051 (102.90)	3.911 (99.34)	3.593 (91.26)

ALL DIMENSIONS ARE IN INCHES
DIMENSIONS IN () ARE IN MILLIMETERS

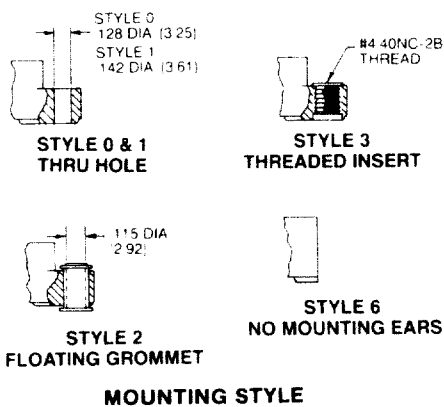


SINGLE READOUT TERMINATION STYLE

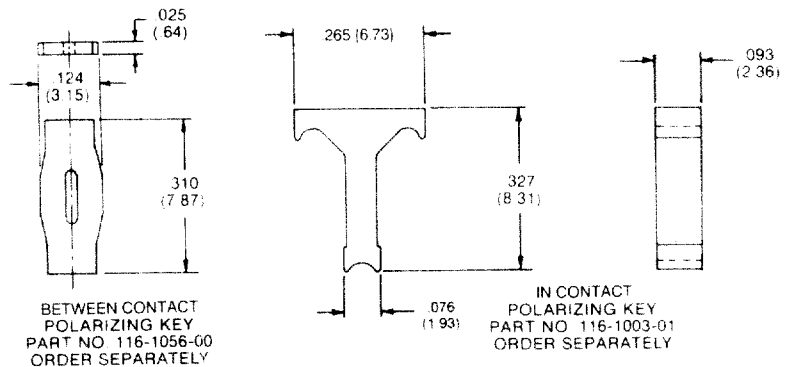


**MOUNTING PATTERN
SINGLE READOUT
DIP STYLE TERMINALS**

Single and Dual Readout



MOUNTING STYLE



POLARIZING KEYS

BETWEEN CONTACT
POLARIZING KEY
PART NO 116-1056-00
ORDER SEPARATELY

IN CONTACT
POLARIZING KEY
PART NO 116-1003-01
ORDER SEPARATELY