

# Dialight

## 586 Series Single Chip BASED LED T3 1/4 MINIATURE SCREW (E10)

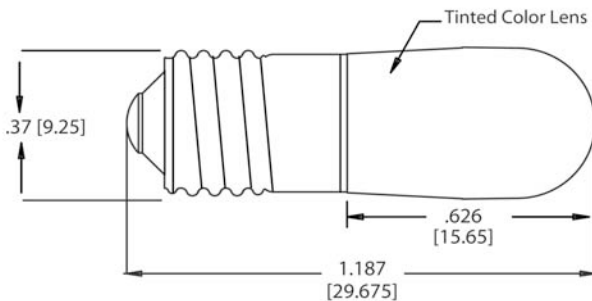


### FEATURES / BENEFITS

- ▲ High brightness with low current draw - uses up to 90% less energy than an incandescent
- ▲ Long life - typically 100K hours
- ▲ True non-polarized configuration
- ▲ No heat generated
- ▲ Mounts directly into industry standard socket
- ▲ Resistant to shock and vibration
- ▲ AllInGaP and InGaN technology
- ▲ Super bright single chip design
- ▲ Colors include red, green, yellow, blue and white

Dialight's line of based LED lamps is designed to directly replace many popular subminiature and miniature incandescent lamps. The benefits of LED technology over incandescent are significant: They offer long life, are shock resistant, withstand vibration and provide energy conservation.

### SPECIFICATIONS



*Measurements are typical  
Dimensions are inches [mm]*

- ▲ Operating voltages: 6, 14, and 28 VDC
- ▲ Non-polarized
- ▲ Operating temperature: -30°C to +85°C
- ▲ Storage temperature: -40°C to +100°C
- ▲ Replaces incandescent lamp numbers\*: 40, 46, 1481, 1487, 1821

**\*See Dialight's Incandescent lamp/based LED cross reference for a complete listing**

### CONSIDERATIONS

- ▲ Since lens caps act as filters for the light emitted from the based LED, it is important to match the emitting color of the LED. If not matched properly, the overall light output may be substantially reduced. Dialight recommends using transparent lenses, which will optimize the light output.
- ▲ Although these lamps can be operated at a lower voltage, which will increase the life, the intensity will be reduced.
- ▲ Operation of the based LED at a higher voltage should not exceed 10% above the recommended voltage.
- ▲ Dialight does not recommend that based LED lamps be used in neon sockets.

**Dialight reserves the right to make changes at any time in order to supply the best product possible.**



A4703



ISO 9001

Dialight Corporation

**Dialight Corporation**

1501 Route 34 South • Farmingdale, NJ 07727 USA

Tel: (1) 732-919-3119 • Fax: (1) 732-751-5778 • [www.dialight.com](http://www.dialight.com)



a Roxboro Group Company

MDEL586F001\_E

#### T3 1/4 MINIATURE SCREW (E10)

Part Number	Color	Peak Wavelength (nm)	Nominal Voltage (VDC)	Forward Current TYP.-(mA)	Intensity TYP.-(mcd)
586-2701-201	Red	630	6	15	1050
586-2702-201	Green	525	6	15	1650
586-2703-201	Yellow	592	6	15	1275
586-2705-201	Blue	470	6	15	487
586-2706-201	White	*	6	15	825
586-2701-203	Red	630	14	15	1050
586-2702-203	Green	525	14	15	1650
586-2703-203	Yellow	592	14	15	1275
586-2705-203	Blue	470	14	15	487
586-2706-203	White	*	14	15	825
586-2701-205	Red	630	28	7.5	525
586-2702-205	Green	525	28	7.5	825
586-2703-205	Yellow	592	28	7.5	637
586-2705-205	Blue	470	28	7.5	243
586-2706-205	White	*	28	7.5	412

\* Color Coordinates: x = 0.330, y = 0.365

### Based LEDs *SELECTION*

With the technological advancements in Light Emitting Diodes (LEDs) brightness can now rival the incandescent lamp when used in similar packages. These advancements have created a new type of product called the based LED - an LED with the functionality of an incandescent bulb.

The following styles are currently available in red, green, yellow, blue and white:

- ▲ T1 3/4 Midget Flange
- ▲ T1 3/4 Bi-Pin
- ▲ T1 3/4 Wedge (T5)
- ▲ T2 Telephone Slide
- ▲ T3 1/4 Miniature Bayonet (BA9s)
- ▲ T3 1/4 Miniature Screw (E10)
- ▲ T3 1/4 Wedge (T10)
- ▲ 15mm SC Bayonet (BA15s)

Dialight's line of based LEDs continues to grow.

Please visit our website for more information.

[www.dialight.com](http://www.dialight.com)



A4703



ISO 9001

Dialight Corporation

**Dialight Corporation**

1501 Route 34 South • Farmingdale, NJ 07727 USA

Tel: (1) 732-919-3119 • Fax: (1) 732-751-5778 • [www.dialight.com](http://www.dialight.com)



a Roxboro Group Company

MDEL586F001\_E