

PRODUCT NUMBER
6170XX2C185515LF

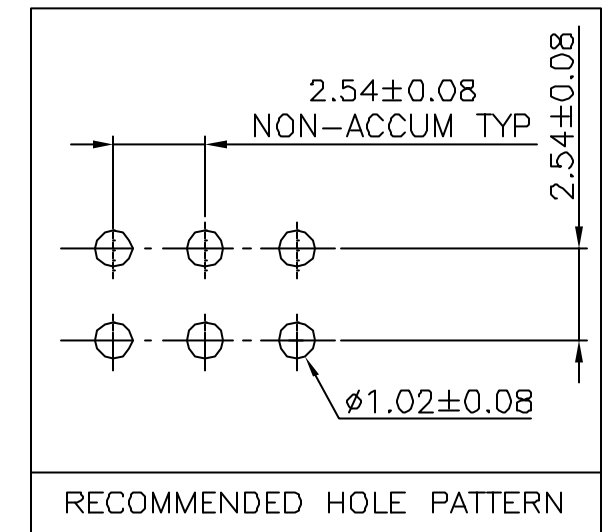
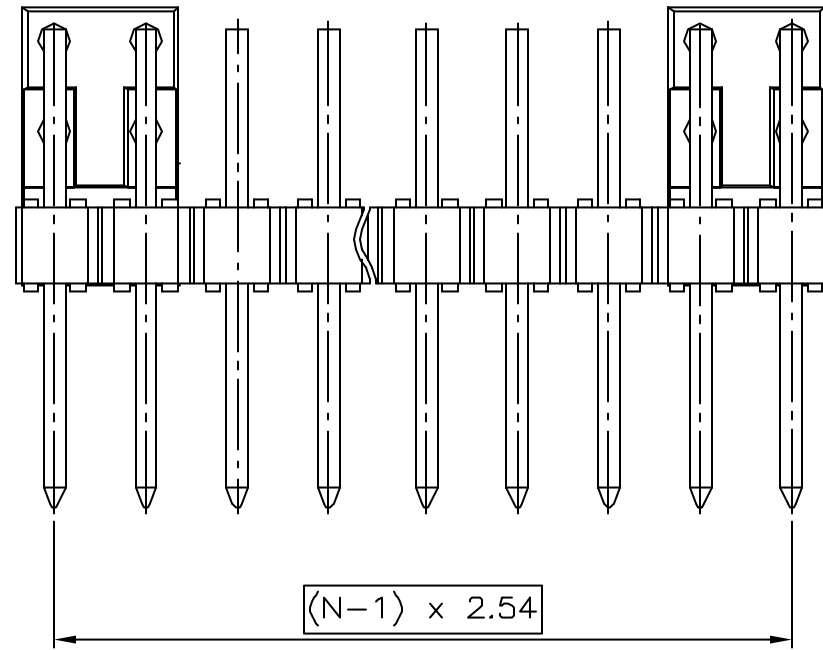
WHEN REQUIRED, ADD SUFFIX LETTER "LF"
INDICATES THE PRODUCT IS ROHS
COMPATIBLE, SEE NOTE 4

PLATING :

8 = 0.76µm GOLD ON CONTACT AREA
3.81µm TIN-LEAD ON TAIL
OVER 1.27µm MIN NICKEL IS

- WHEN "LF" IS REQUIRED, 2µm MATTE
TIN OVER 1.27µm MIN NICKEL IS
PROVIDED INSTEAD OF TIN-LEAD

NUMBER OF POS PER ROW
02 TO 26 POS



NOTES:

1. HOUSING MAT'L : HIGH TEMPERATURE THERMOPLASTIC. UL94V-0 COLOR: BLACK
2. PIN MATERIAL : PHOSPHOR BRONZE
3. PRODUCT PACKAGED IN BLIBOX.
4. 9N MIN RETENTION IN EITHER DIRECTION
5. TO DETERMINE DIMENSIONS :
N = NUMBER OF POSITIONS PER ROW
6. ROHS COMPATIBLE PRODUCT SPECIFICATIONS

a - PLATING:

- "LF" MEANS THE PRODUCT IS LEAD-FREE,
2µm MINIMUM MATTE TIN OVER 1.27µm
MINIMUM NICKEL UNDERPLATE.

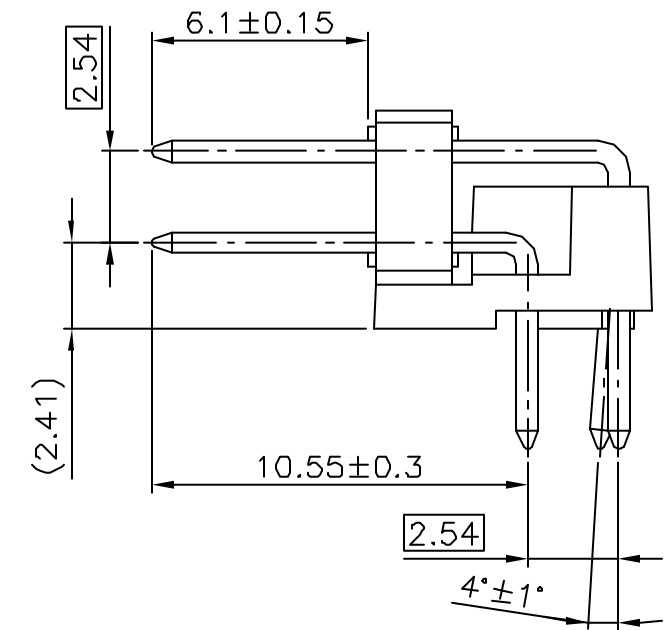
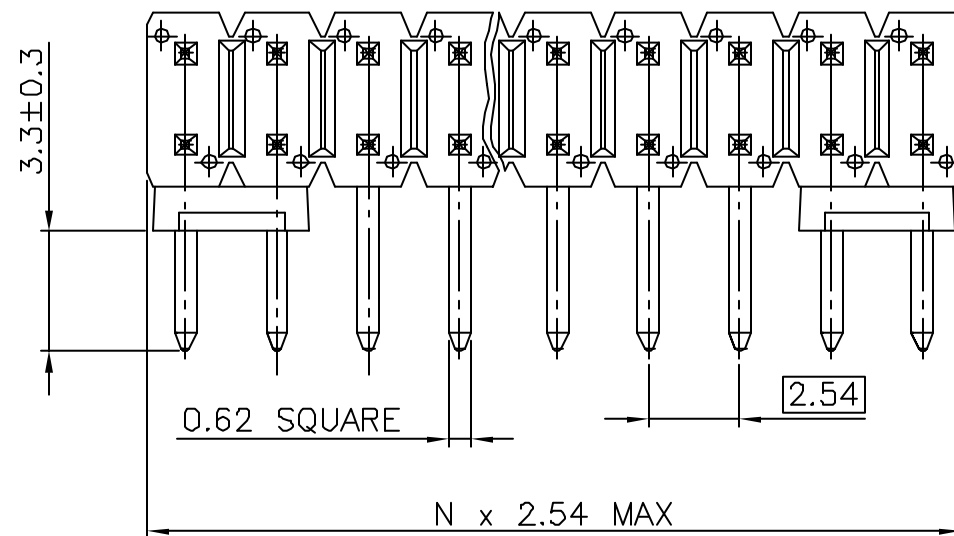
b - MANUFACTURING PROCESS COMPATIBILITY

- THE HOUSING WILL WITHSTAND EXPOSURE TO
260°C ±5°C SOLDER BATH TEMPERATURE FOR
5 SECONDS IN A WAVE SOLDER APPLICATION
WITH A 1.6mm MIN THICK CIRCUIT BOARD.

c - LABELING:

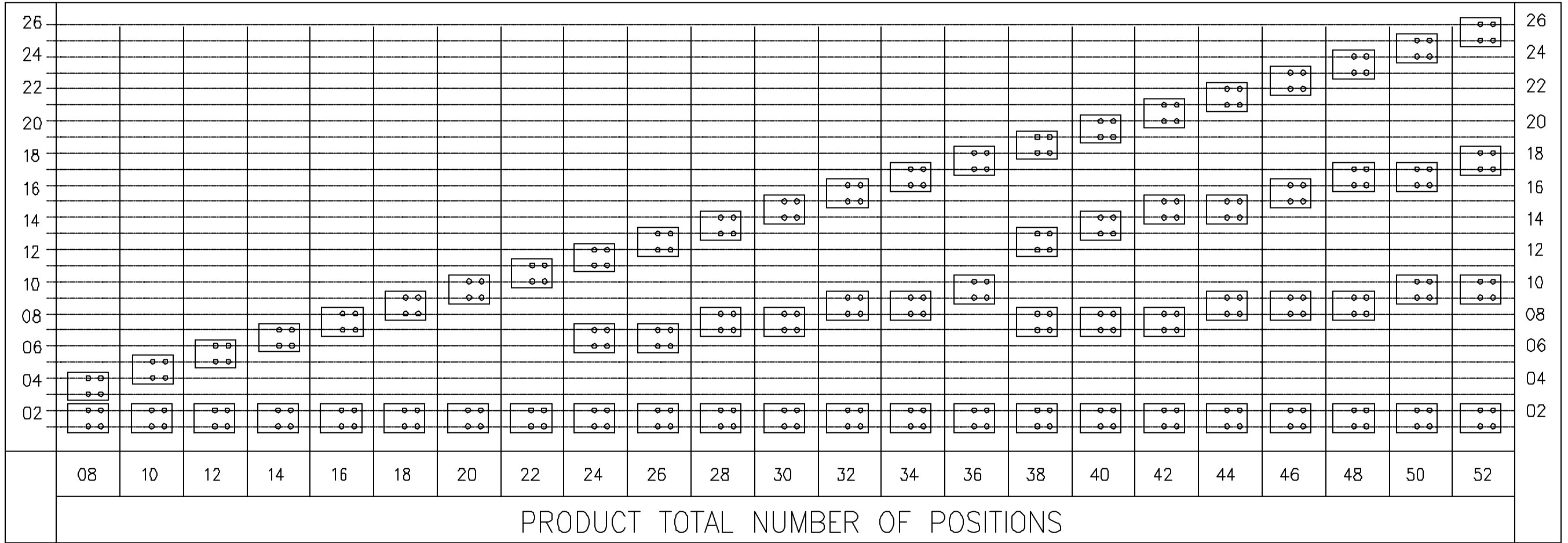
- MEETS PACKAGING SPECS AS PER GS-14-920

d - LEGAL STATEMENT: SEE GS-22-008



mat'l. code				surface ISO 1302 ✓		tolerance ISO 406 ISO 1101		projection mm		product family BSTIK	
ltr ecn no dr date				tolerances unless otherwise specified						title HEADER DR RA SPECIAL SPACER STYLE	
B	F10522	LMU	01.09.17	angles		Linear		scale 1:5		dwg no 55394	
C	F05-040	LMU	05.11.24					FCJ		sheet 1 of 2 A3	
D	F06-0207	LMU	06.07.27	dr		L.MULIN 05.11.24				size	
				enr		J.COMPAGNON 05.11.24				type CUSTOMER Drawing	
				chr							
				appd		JMC 05.11.24					
sheet index	revision sheet	D	D								
		1	2								

SPACER LOCATION PER PRODUCT SIZE



Copyright FCJ

mat'l. code				surface ISO 1302 ✓		tolerance ISO 406 ISO 1101		projection 		product family BSTIK			
ltr				ecn no		dr		date		tolerances unless otherwise specified		title HEADER DR RA SPECIAL SPACER STYLE	
B				F10522		LMU		01.09.17		angles		mm	
C				F05-0401		LMU		05.11.24		Linear		scale 1:5	
D				F06-0207		LMU		06.07.27				FCJ	
								dr		L.MULIN		05.11.24	
								engr		J.COMPAGNON		05.11.24	
								chr				dwg no	
								appd		JMC		05.11.24	
sheet index		revision sheet										sheet 2 of	
												55394	
												size A3	
												type CUSTOMER Drawing	

form: A3