

SPRING PROBES

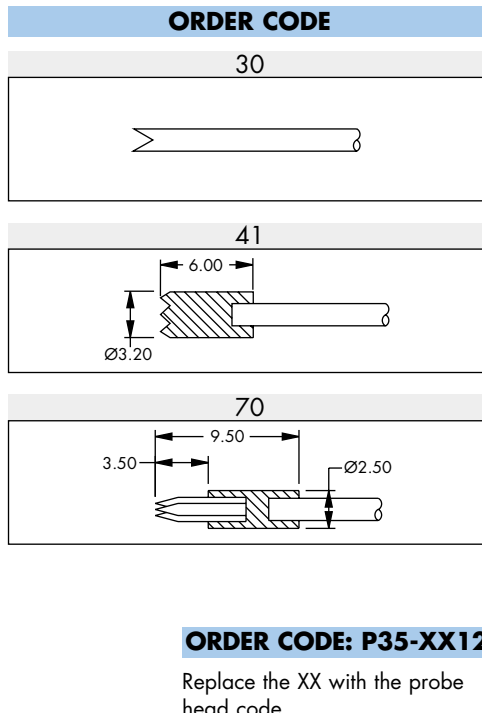
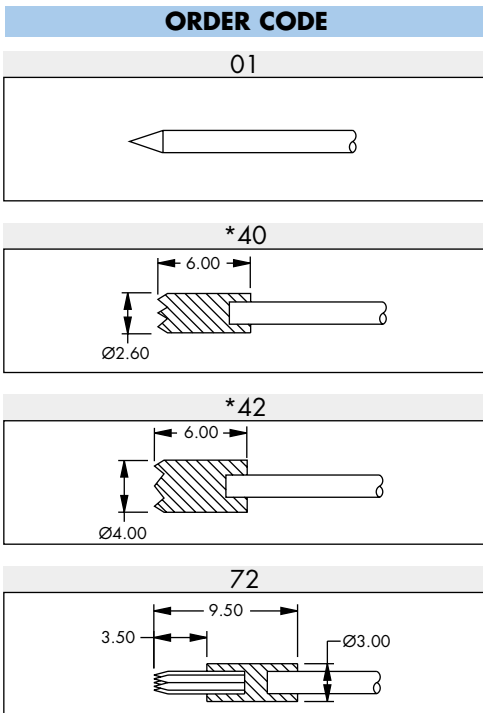
**ONE PART
SPRING PROBES**
3.50mm (0.138") CENTRES

TECHNICAL SUMMARY

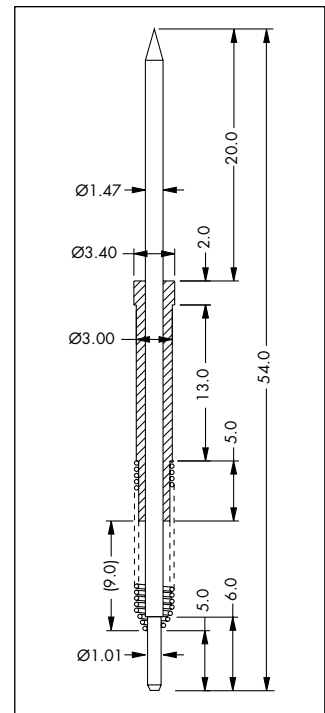
Plunger: High carbon steel
Barrel: Anti-wear resin
Spring: Stainless steel
2/3 Travel: 6-7mm
Spring Force: 2.65N @ 6.00mm

Recommended
Mounting Hole: $\varnothing 3.00\text{mm}$

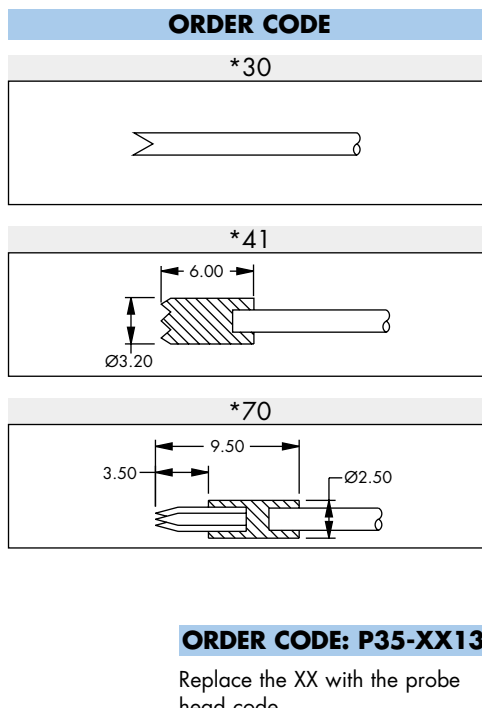
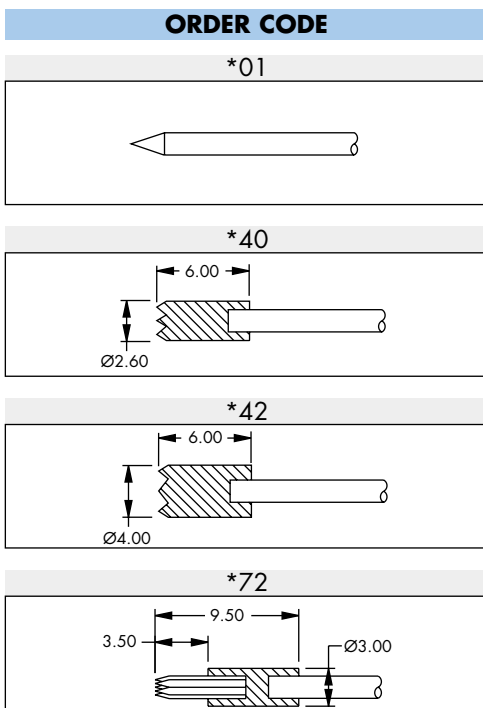
PROBE HEAD



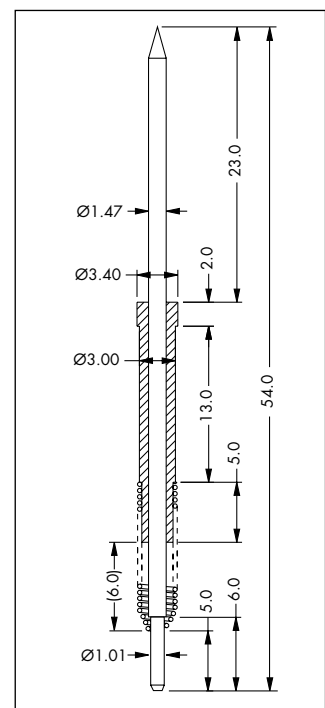
PROBE



PROBE HEAD



PROBE



* Please contact sales for availability