

New Products

UNIVERSAL SERIAL BUS CONNECTORS



DUSB SERIES CONNECTOR

P-DUSB-E01

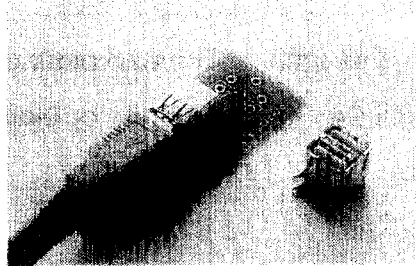
Series-A

Single-Port



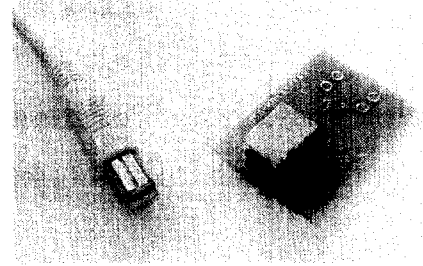
Series-A

Dual-Port (Double Decker)



Series-B

Single-Port



The Universal Serial Bus (USB) is a new standard for connecting multiple low and medium speed peripheral devices to computers using a signal port. DDK offers a family of external I/O connectors that meet this standard.

■ **APPLICATIONS** : Computers, Printers, Modems, Keyboards, Mice, Scanners, Joysticks, and other multi-media devices.

■ FEATURES

- For low to medium speed bus connections, 1.5 Mbps to 12 Mbps.
- 4 reliable ribbon style contacts, 2 signal and 2 power.
- Fully shielded design features protection from electrostatic discharge.
- Power and grounding contacts feature a pre-mating design for circuit protection.
- Hot pluggable for plug and play applications.



SALES OFFICES

DDK Ltd. (JAPAN)

MOKA, JAPAN

HONG KONG

SINGAPORE

DDK ELECTRONICS, INC. (U.S.A.)

SANTA CLARA, CALIFORNIA

TORONTO LIAISON, CANADA

DDK ELECTRONICS (EUROPE) LTD. (LONDON)

DDK (THAILAND) LTD.

Tel. 0285-84-7861

Tel. 2369-7028

Tel. 271-1151

Tel. 408-980-8344

Tel. 905-470-1346

Tel. 01959-5-81224

Tel. 02-529-1428

Fax. 0285-82-9036

Fax. 2368-7392

Fax. 271-2345

Fax. 408-980-9750

Fax. 905-470-1479

Fax. 01959-5-61034

Fax. 02-529-2160



■ SPECIFICATIONS

- Rated voltage 30V AC(r.m.s)
- Rated current 1A / contact
- Dielectric withstanding
voltage 750V AC(r.m.s),1 minute
- Insulation resistance 1000 megohms min. at 500V DC.
- Contact resistance 30 milliohms max.

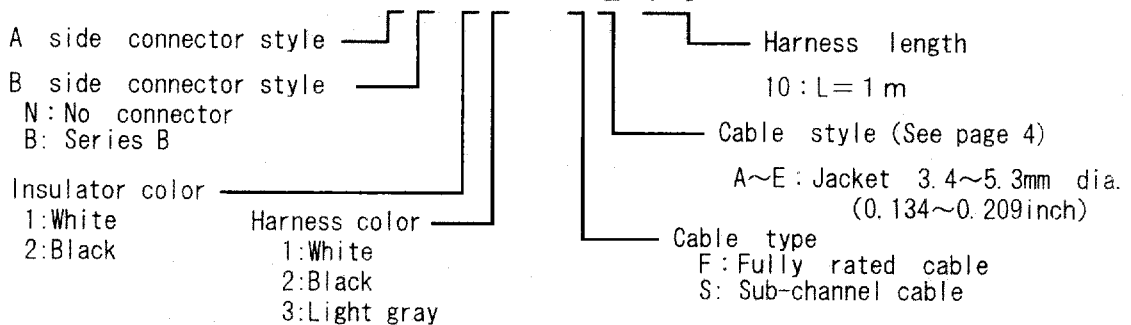
■ MATERIALS / FINISHES

- Contact . . . Copper alloy / Mating area:0.75 μ m(30 μ inch)Gold over Nickel plating
Tail area : Tin-lead plating
- Insulator . . . PBT resin / (UL94V-0) color white or black
- Shell Copper alloy or Steel / Tin-lead plating

■ PART NUMBERING CODE

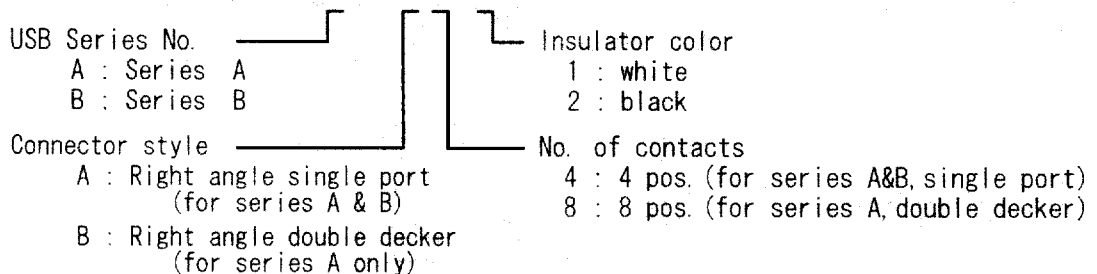
PLUG HARNESS

D U S B - H A N 2 1 - F B 1 0



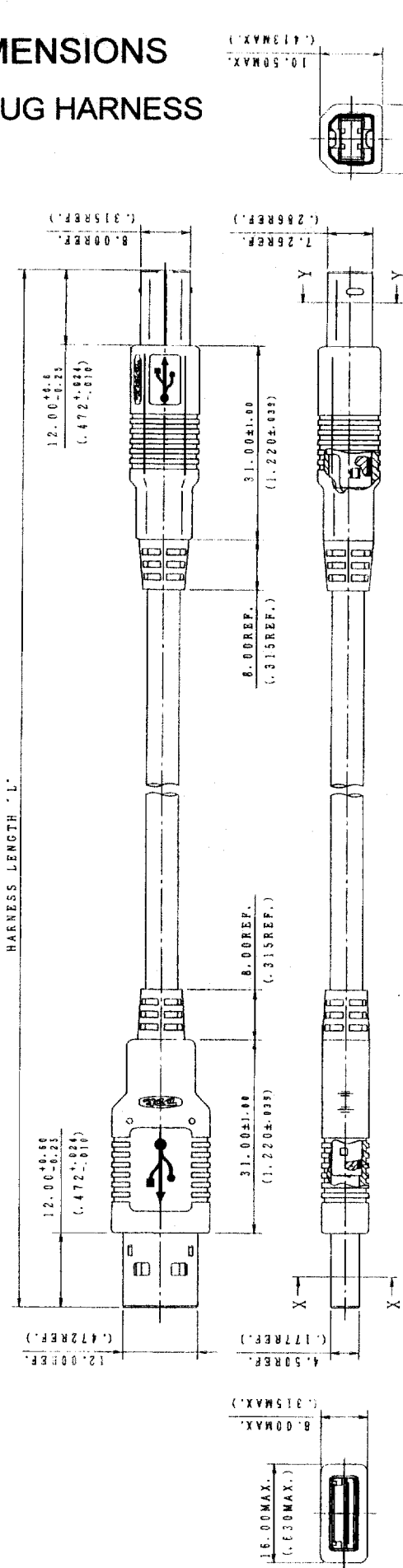
RECEPTACLE

D U S B - A R A 4 2 - T 1 1



UNIT:mm(inch)

DIMENSIONS PLUG HARNESS



A側コネクタ
A SIDE CONNECTOR

B側コネクタ
B SIDE CONNECTOR

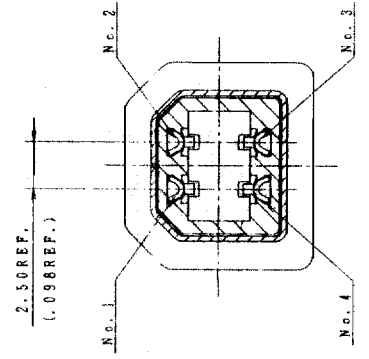
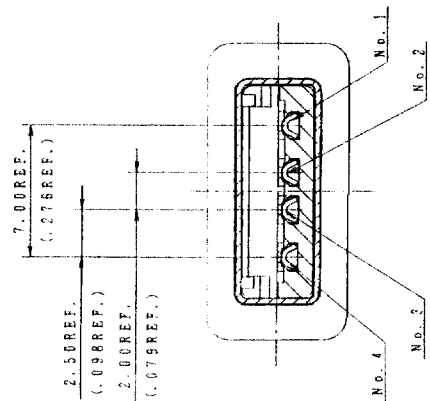


表-1 配線表

TABLE-1 WIRING STRUCTURE

A SIDE CONNECTOR CONTACT No.	COLOR OF INSULATOR (CABLE)	B SIDE CONNECTOR CONTACT No.
1	RED	1
2	WHITE	2
3	GREEN	3
4	BLACK	4

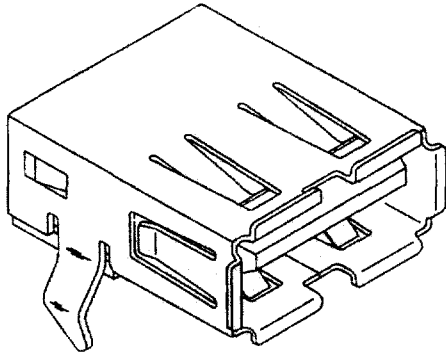
表-2 ケーブル スタイル

TABLE-2 CABLE STYLE

ケーブル CABLE	電源線ワイヤーサイズ POWER WIRE GAUGE	信号線ワイヤーサイズ SIGNAL WIRE GAUGE
A	電源線ワイヤーサイズ: AWG. 28より線 POWER WIRE GAUGE: AWG. 28 STRANDED WIRE	信号線ワイヤーサイズ: AWG. 28より線 SIGNAL WIRE GAUGE: AWG. 28 STRANDED WIRE
B	電源線ワイヤーサイズ: AWG. 26より線 POWER WIRE GAUGE: AWG. 26 STRANDED WIRE	
C	電源線ワイヤーサイズ: AWG. 24より線 POWER WIRE GAUGE: AWG. 24 STRANDED WIRE	
D	電源線ワイヤーサイズ: AWG. 22より線 POWER WIRE GAUGE: AWG. 22 STRANDED WIRE	
E	電源線ワイヤーサイズ: AWG. 20より線 POWER WIRE GAUGE: AWG. 20 STRANDED WIRE	

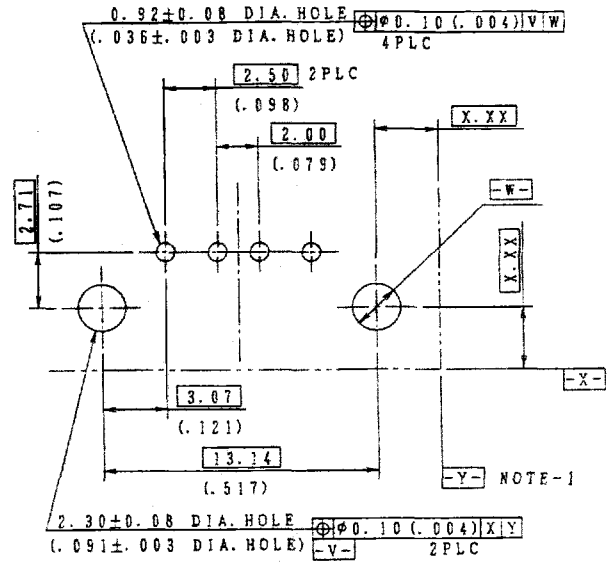
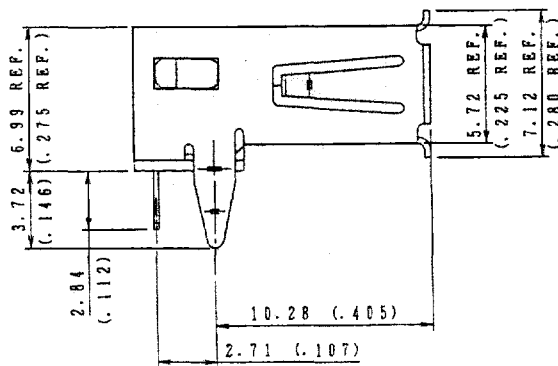
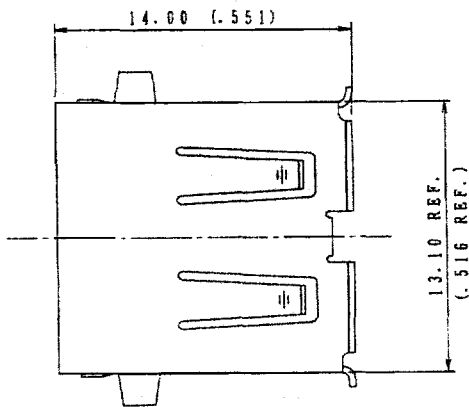
RECEPTACLE (SERIES A, SINGLE PORT)

UNIT:mm(inch)



イメージ参考図

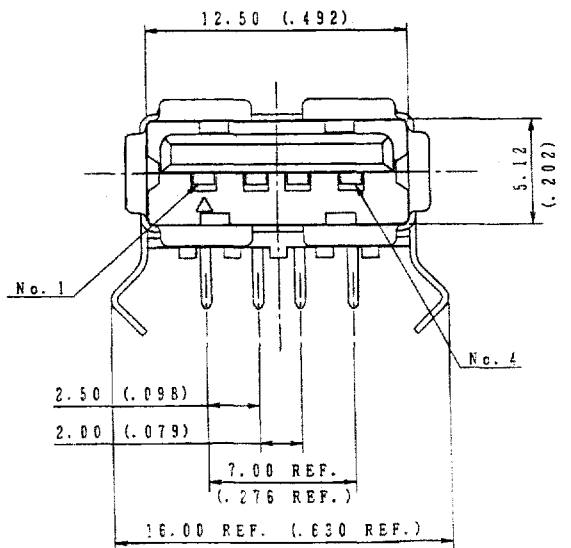
3D DRAWING (REFERENCE)



基板取り付け参考寸法

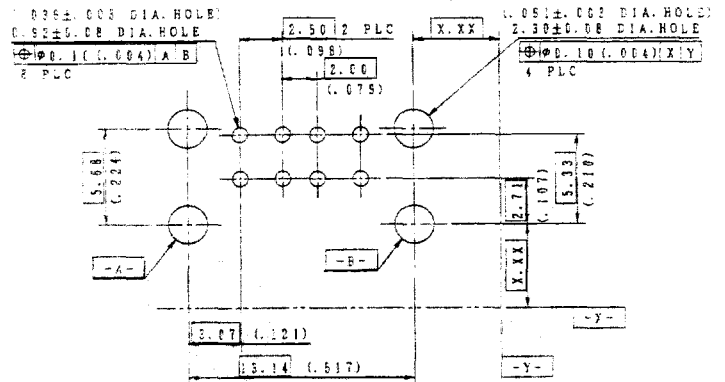
RECOMMENDED P. C. B. MOUNTING DIMENSIONS

適合基板厚 : 1.57±0.19
RECOMMENDED P. C. B. THICKNESS OF 1.57±0.19 (.062±.007)



RECEPTACLE (SERIES A, DOUBLE DECKER)

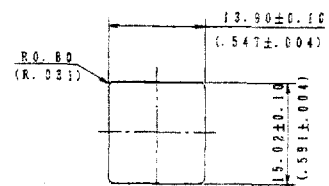
UNIT:mm(inch)



基板取り付け参考寸法

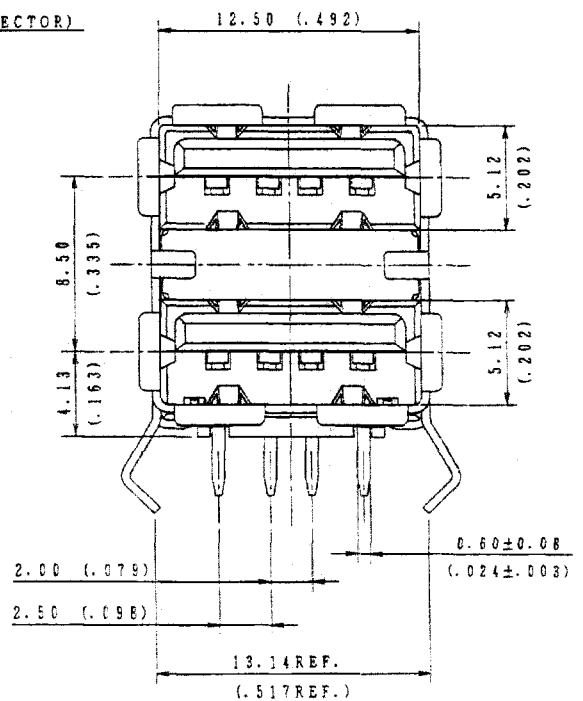
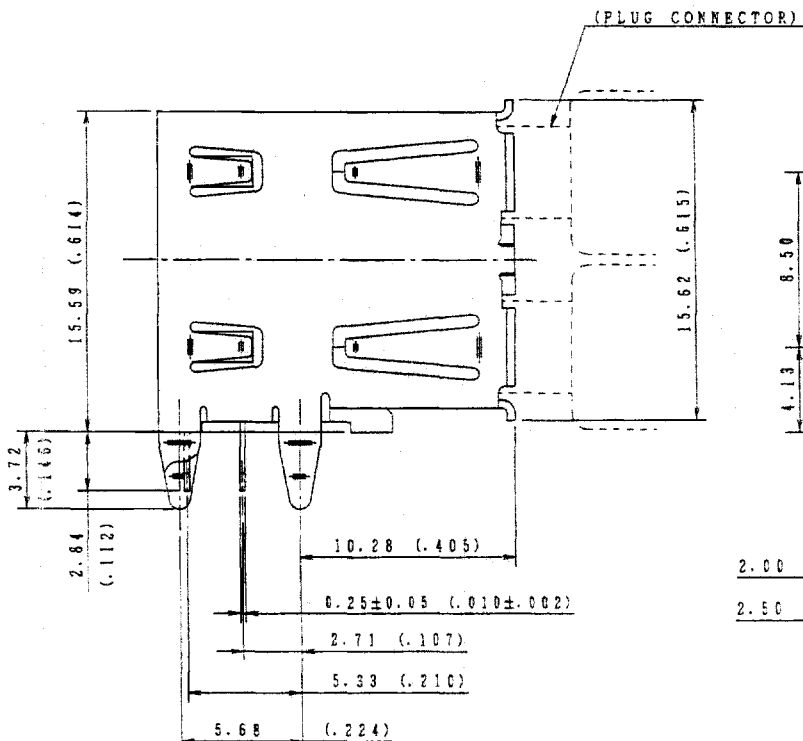
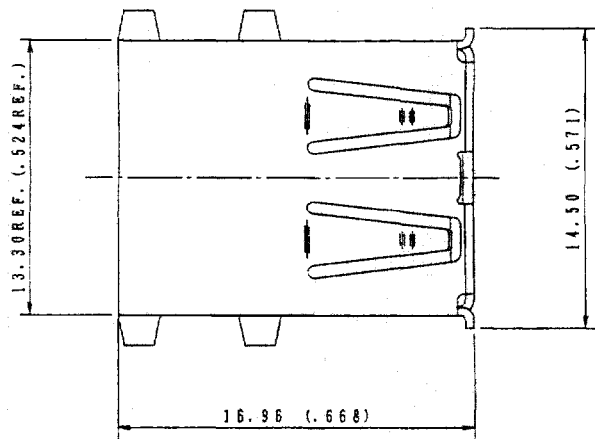
RECOMMENDED P.C.B. MOUNTING DIMENSIONS

適合基板厚 : 1.57±0.19
 RECOMMENDED P.C.B. THICKNESS OF 1.57±0.19 (.62±.007)



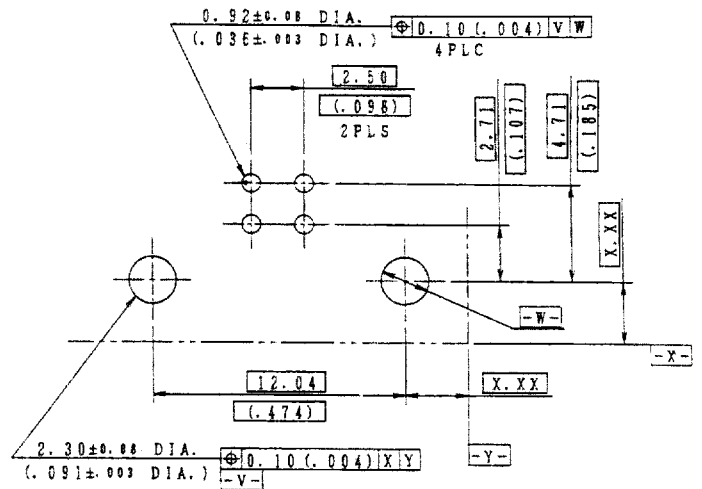
パネル取り付け参考寸法 (2/1)

RECOMMENDED PANEL CUTOUT DIMENSIONS (2/1)



RECEPTACLE (SERIES B, SINGLE PORT)

UNIT:mm(inch)



基板取り付け参考寸法

RECOMMENDED P. C. B. MOUNTING DIMENSIONS

推奨基板厚 : 1.57±0.19

RECOMMENDED P. C. B. THICKNESS OF 1.57±0.19 (0.062±0.007)

