
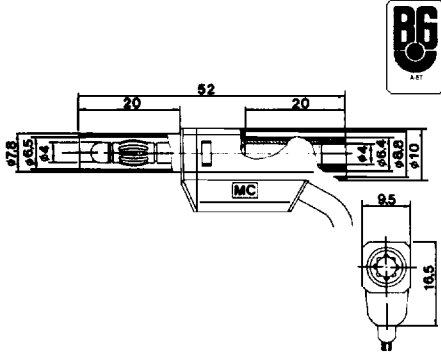
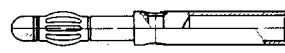
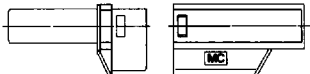

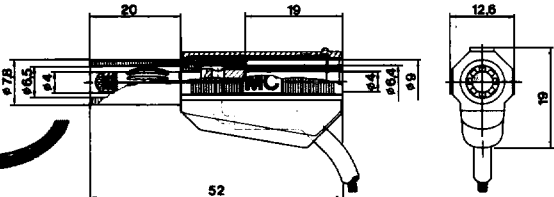

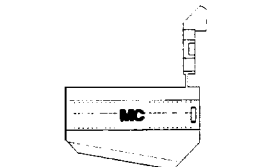
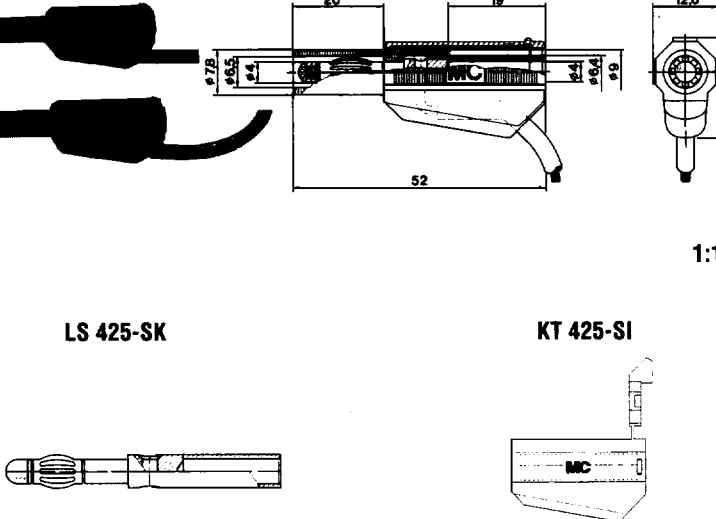
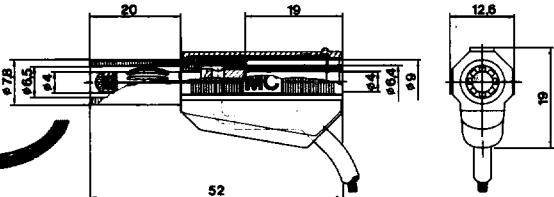

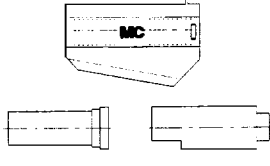
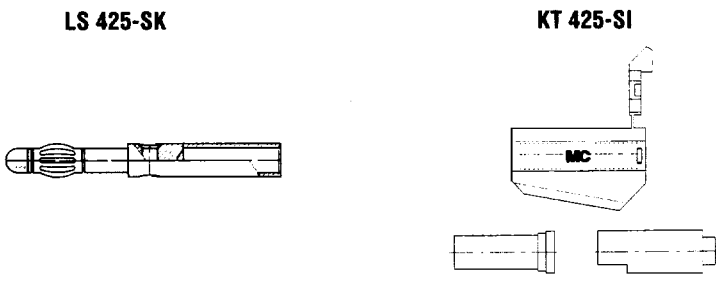
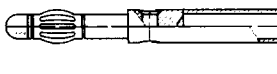
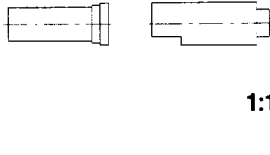
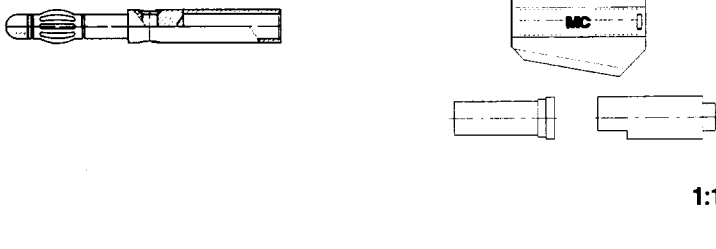


Part No.	Type	Nominal diameter	Withdraw. force	Rated current	Contact resistance			
21.5460 (25 cm)	SLK 410-K Sil   LS 425-SK  KT 425-SK  	4 mm	-	19 A	0.3 mΩ			
21.5470 (50 cm)		 LS 425-SK  KT 425-SI  	4 mm	-	32 A	0.3 mΩ		
21.5520 21.5640 (Sil) (25 cm)			 LS 425-SK  KT 425-SI  	4 mm	-	32 A	0.3 mΩ	
21.5530 21.5650 (Sil) (50 cm)				 LS 425-SK  KT 425-SI  	4 mm	-	32 A	0.3 mΩ
21.5540 21.5660 (Sil) (75 cm)					4 mm	-	32 A	0.3 mΩ
21.5550 21.5670 (Sil) (100 cm)	4 mm	-	32 A	0.3 mΩ				

Highly flexible safety patch cord with 4 mm (.160 in) dia. safety plugs with safety in-line socket 4 mm (.160 in) dia. Plugs machined brass, gold plated with MC®-Multilam™. Matching safety jacks 4 mm (.160 in) dia., silicone insulated wire 1.0 mm² (17 AWG).

For operating temperatures, see page 27.

Components and ratings:

- Multilam plug LS 425-SK # 22.1022
- Insulator (polyamide) KT 425-SK # 22.2300
- Wire HK 1 Sil 1000 # 22.1070
- Rated voltage: 1000 V
- Insulation coordination: 6000 V/2
- Test voltage: 3500 V / IEC 3250 V

Colors: • Sil: 1, 2, 4

Highly flexible safety patch cord with 4 mm (.160 in) dia. safety plugs with safety in-line socket 4 mm (.160 in) dia. Plugs machined brass, gold plated with MC®-Multilam™. Matching safety jacks 4 mm (.160 in) dia. PVC or silicone insulated wire 2.5 mm² (13 AWG).

For operating temperatures, see page 27.

Components and ratings for SLK 425-SI:

- Multilam™ plug LS 425-SK # 22.1022
- Insulator (polyamide) KT 425-SI # 22.2350
- Wire HK 2.5-D PVC (double insul.) # 22.0130
- Rated voltage: 1000 V
- Insulation coordination: 6000 V/2
- Test voltage: 4000 V

Components and ratings for SLK 425-SI Sil:

- Multilam™ plug LS 425-SK # 22.1022
- Insulator (polyamide) KT 425-SI # 22.2350
- Wire HK 2.5 Sil # 22.0080
- Rated voltage: 500 V
- Insulation coordination: 4000 V/2
- Test voltage: 2000 V

Colors: • PVC: 0 - 9 • Sil: 1, 2, 4, 5, 6

Nominal diameter **Withdraw. force** **Rated current** **Contact resistance**

4 mm - 35 A 0.3 mΩ

Highly flexible safety patch cord with 4 mm (.160 in) dia. safety plugs with safety in-line socket 4 mm (.160 in) dia. Plugs machined brass, gold plated with MC®-Multilam™. Matching safety jacks 4 mm (.160 in) dia. PVC insulated wire 2.5 mm² (13 AWG).

For operating temperatures, see page 27.

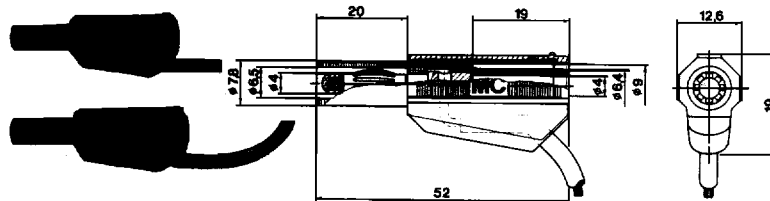
Components and ratings:

Plug and insulator without UL-identification.

- Multilam™ plug LS 425-SK # 22.1022
- Insulator (polyamide)KT 425-SU # 22.2290
- Wire HK 2.5-D PVC (double insul.) # 22.0140
- Rated voltage 500 V
- Test voltage 2000 V

Colors: 0, 1, 2, 4, 5, 6

UL-listed No. 353 Z



SLK 425-UL

21.4460
(25 cm)

21.4470
(50 cm)

21.4480
(75 cm)

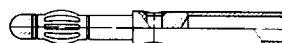
21.4490
(100 cm)

21.4500
(150 cm)

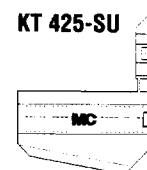
21.4510
(200 cm)

1:1.5

LS 425-SK



KT 425-SU



1:1.5



4 mm - 32 A 0.3 mΩ

Highly flexible safety patch cord with 4 mm (.160 in) dia. safety plugs. Plugs machined brass, gold plated with MC®-Multilam™. Matching safety jacks 4 mm (.160 in) dia. PVC or silicone insulated wire 2.5 mm² (13 AWG).

For operating temperatures, see page 27.

Components and ratings for SLK 425-L:

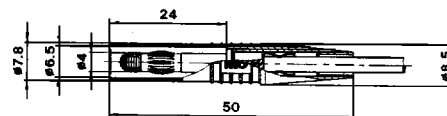
- Multilam™ plug LS 425-SL # 22.1025
- Insulator (polyamide) KT 425-SL # 22.2260
- Wire HK 2.5-D PVC (double insul.) # 22.0130
- Rated voltage: 1000 V
- Insulation coordination: 6000 V/2
- Test voltage: 4000 V / IEC 3250 V

Components and ratings SLK 425-L Sil:

- Multilam™ plug LS 425-SL # 22.1025
- Insulator (polyamide) KT 425-SL # 22.2260
- Wire HK 2.5 Sil # 22.0080
- Rated voltage: 500 V
- Insulation coordination: 4000 V/2
- Test voltage: 2000 V

Colors: • PVC: 1, 2, 4 • Sil: 1, 2, 4

(SLK 425-L only)



SLK 425-L
SLK 425-L Sil

21.5050
(Sil) **21.5250**
(25 cm)

21.5060
(Sil) **21.5260**
(50 cm)

21.5070
(Sil) **21.5270**
(75 cm)

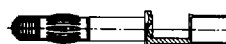
21.5080
(Sil) **21.5280**
(100 cm)

21.5090
(Sil) **21.5290**
(150 cm)

21.5100
(Sil) **21.5300**
(200 cm)

1:1.5

LS 425-SL



KT 425-SL



1:1.3

0 - green/yellow 1 - red 2 - blue 3 - white 4 - black 5 - yellow 6 - green 7 - brown 8 - gray 9 - violet