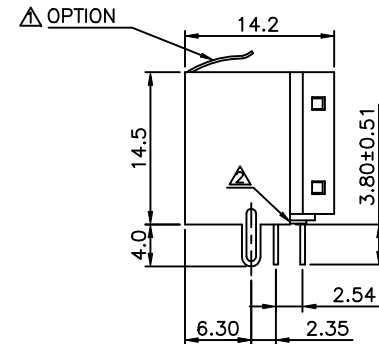
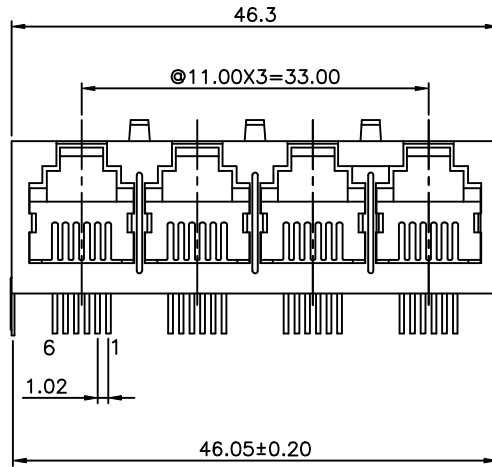


REVISION RECORD				
REV	ECO	DESCRIPTION	DRFT	CHKD
△		Drawing Modify	YUAN	
			01/02/01*	
△		Drawing Modify	liuzh	
			11/20/04*	



NOTES:

ELECTRICAL:

- VOLTAGE RATING : 125 VAC RMS MIN.
- CURRENT RATING : 1.5 AMP MIN.
- CONTACT RESISTANCE : 30 MILLIOHMS MAX.
- INSULATION RESISTANCE: 1000 MEGOHMS MIN @ 500 VDC.
- DIELECTRIC STRENGTH : 1000 VAC RMS 60Hz, 1MIN.

MECHANICAL:

- HOUSING MATERIAL : GLASS FILLED POLYESTER UL94V-0.
- CONTACT MATERIAL : PHOSPHOR BRONZE Ø0.46mm.
- PLATING : GOLD PLATING OVER NICKEL.
- OPERATING LIFE : 750 CYCLES MIN.
- PCB RETENTION PRE-SOLDER : 1 LB MIN.
- PCB RETENTION POST-SOLDER: 10 LBS MIN.

ENVIRONMENTAL:

- STORAGE : -40°C TO +85°C.
- OPERATION: 0°C TO 70°C.

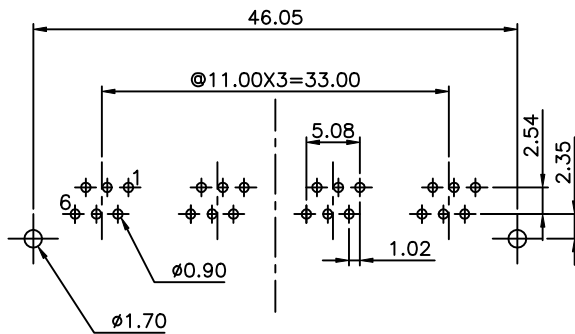
MATES WITH MODULAR PLUG CONFORMING TO

FCC PART 68, SUBPART F.

CUL FILE NO. E163191

PART NUMBER: E556X-2XCXEX

- 2-2 CONTACTS — 1- 3u" 2- 6u"
- 4-4 CONTACTS — 3-15u" 4-30u"
- 6-6 CONTACTS — 5-50u" 6-Pd 20u"
- △ 1-TIN (W/O TAB) — 5-A06-0080 (BK)
- 3-NICKEL (W/O TAB) — D-A06-0600 (GY)
- 4-NICKEL (W/ TAB)



PC Board Layout Component Side Shown

DETACHED LISTS	← MM (INCH) →		DFTO YUAN	DATE 8/29/00*	FULL RISE ELECTRONIC CO., LTD
	TOLERANCES EXCEPT AS NOTED		CHKD QIANFU	DATE 2004/11/20	
			MFO	DATE	
			APPVL LUSHENG	DATE 2004/11/22	
MM		±	MATERIAL :		TITLE
.0 ±0.2		±	QT'Y :		MINI L/P 4 PORTS PCB GANG JACK (6P)
.00 ±0.15		±	FINISH :		DRAWING NO. GE553A25
.000 ±0.075		±	SCALE : 2 : 1		/PART NO. SEE NOTE
ANGLES ± 0.5			DO NOT SCALE DRAWING		SIZE A3
THIRD ANGLE PROJECTION			SHEET OF		REV 11/20/04
					2