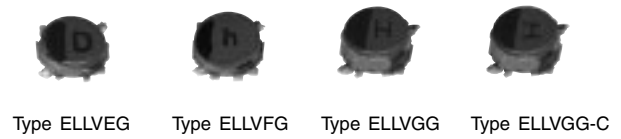


SMD Choke Coils

Series: **G**
 Type: **ELLVEG**
ELLVFG-C
ELLVGG
ELLVGG-C



■ Features

- Magnetic shielded structure
- Low DC resistance and large current capability
- Shock resistant
- RoHS compliant

■ Recommended Applications

- DC-DC converter circuitry for computer peripherals and cellular phones.
- Chopper circuit decoupling chokes for DC-DC converter circuitry.

■ Standard Packing Quantity

- 2000 pcs./Reel

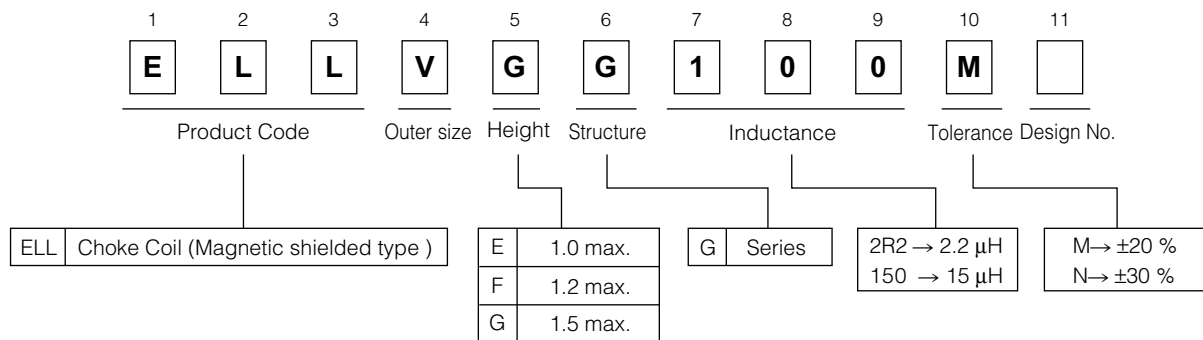
■ Soldering Conditions

Please see Page 169

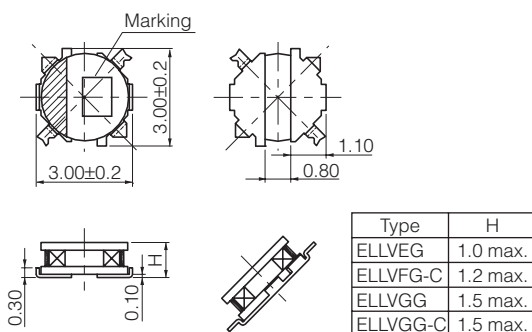
■ Safety Precautions

Please see Page 170

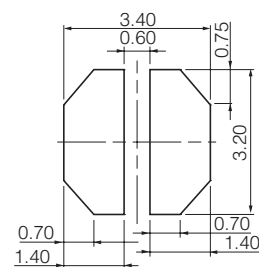
■ Explanation of Part Numbers



■ Dimensions in mm (not to scale)



■ Recommended land patterns in mm (not to scale)



Standard Parts

Series	Part Number	Inductance (100 kHz)		R _{DC} (at 20 °C)		Saturation Rated Current* ¹ (mA max.)	Temperature Rise Current* ² (mA max.)	Marking
		(μH)	Tol.	(mΩ)	Tol.			
VEG Series	ELLVEGR68N	0.68	±30 %	50	±20 %	1950	1800	7
	ELLVEG1R0N	1.0		61		1900	1600	A
	ELLVEG1R5N	1.5		74		1200	1400	C
	ELLVEG2R2N	2.2		110		1100	1250	D
	ELLVEG3R3N	3.3		210		1000	820	E
	ELLVEG4R7N	4.7		240		750	770	H
	ELLVEG6R8N	6.8	350	580		650	K	
	ELLVEG100M	10.0	±20 %	480		520	600	M
	ELLVEG150M	15.0		710		430	490	O
	ELLVEG220M	22.0		1200		330	400	R
	ELLVEG330M	33.0		2300		260	290	T
	ELLVEG470M	47.0		2700		220	250	V
	ELLVEG680M	68.0		3500		180	220	X
VFG-C Series	ELLVFG1R0NC	1.0	±30 %	50	1500	1700	a	
	ELLVFG1R5NC	1.5		61	1300	1550	c	
	ELLVFG2R2NC	2.2		87	1100	1400	d	
	ELLVFG3R3NC	3.3		110	980	1250	e	
	ELLVFG4R7NC	4.7		150	740	1050	h	
	ELLVFG6R8NC	6.8		230	600	840	k	
	ELLVFG100MC	10.0	±20 %	380	550	640	m	
	ELLVFG150MC	15.0		540	500	480	o	
	ELLVFG220MC	22.0		710	350	430	r	
	ELLVFG330MC	33.0		1160	280	330	t	
VGG Series	ELLVGG1R0N	1.0	±30 %	52	±20 %	2200	1800	A
	ELLVGG1R2N	1.2		61		2000	1600	B
	ELLVGG1R6N	1.6		73		1800	1550	C
	ELLVGG2R2N	2.2		92		1600	1400	D
	ELLVGG3R3N	3.3		130		1350	1100	E
	ELLVGG3R9N	3.9		150		1300	1000	F
	ELLVGG4R7N	4.7	170	1200		980	H	
	ELLVGG6R8N	6.8	230	1000		800	K	
	ELLVGG100M	10.0	±20 %	280		800	730	M
	ELLVGG120M	12.0		480		690	580	N
	ELLVGG150M	15.0		640		600	490	O
	ELLVGG220M	22.0		800		500	460	R
	ELLVGG330M	33.0		1330		450	340	T
ELLVGG470M	47.0	2100		350	270	V		
VGG-C Series	ELLVGG1R0NC	1.0	±30 %	47	1400	2000	A	
	ELLVGG2R2NC	2.2		79	1050	1500	D	
	ELLVGG3R3NC	3.3		110	1000	1300	E	
	ELLVGG4R7NC	4.7		130	900	1200	H	
	ELLVGG6R8NC	6.8		180	700	1000	K	
	ELLVGG100MC	10.0	±20 %	260	600	860	M	
	ELLVGG120MC	12.0		280	550	730	N	
	ELLVGG150MC	15.0		420	450	670	O	
	ELLVGG220MC	22.0		530	410	600	R	
	ELLVGG330MC	33.0		790	350	450	T	
	ELLVGG470MC	47.0		1200	260	360	V	
ELLVGG101MC	100	2950	180	250	Z			

*1 Saturation Rated Current : This DC current which causes a 30 % inductance reduction from its nominal value.

*2 Temperature Rise Current : This indicates the value of current when temperature rise dt/t= 40 °C (at 20 °C).

■ Embossed Carrier Tape Dimensions in mm (not to scale)

