

SPECIFICATIONS

Mechanical

Contact Retention Force: 0.91Kgf Min.

Electrical

Current Rating: 3.0A per pin min.

Dielectric Withstanding Voltage: 500V AC.

Insulation Resistance: 1000MΩ min.

Physical

Housing: Nylon 6.6, UL 94V-0, Color See "NOTES"

Contact: Copper alloy

Plating: See "ORDERING INFORMATION"

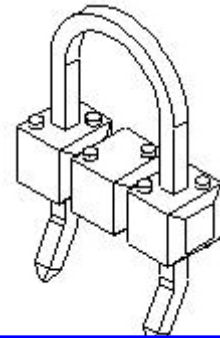
Operating Temperature: -55 to +105

Breakaway Header

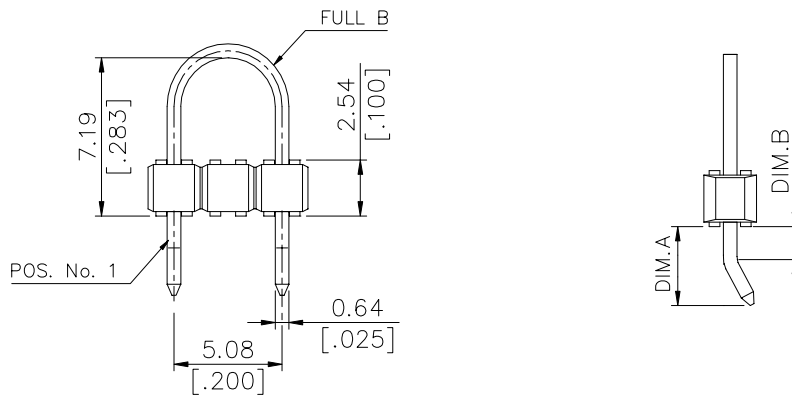
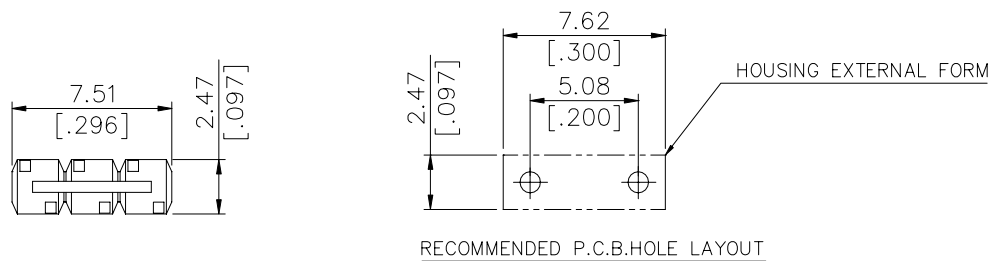
HB96 Series

T/H Type

5.08mm [.200"] Pitch



DRAWING



ORDERING INFORMATION

PRODUCT No. : HB 96 ** * - ** *

- Breakaway Header
- Termination&Contact Type
- No. Of Single Row Pos.
03 = 3 POS.
- Contact Area Plating
0=100u"min. Tin/Lead Plating Over All
1=Gold Flash Over All
E=100u"min. Tin Plating with Lead free
- Optional For Housing Color
None:Black
W:Ivory
- Tail Length
None: DIM.A=3.60 mm
5: DIM.A=4.57 mm
- Optional For Kinks
S: Without Kink
K:With 20 DEG of Kink,DIM.B=1.50
D:With 45 DEG of Kink,DIM.B=1.50
L:With 20 DEG of Kink,DIM.B=2.13
M:With 45 DEG of Kink,DIM.B=2.43