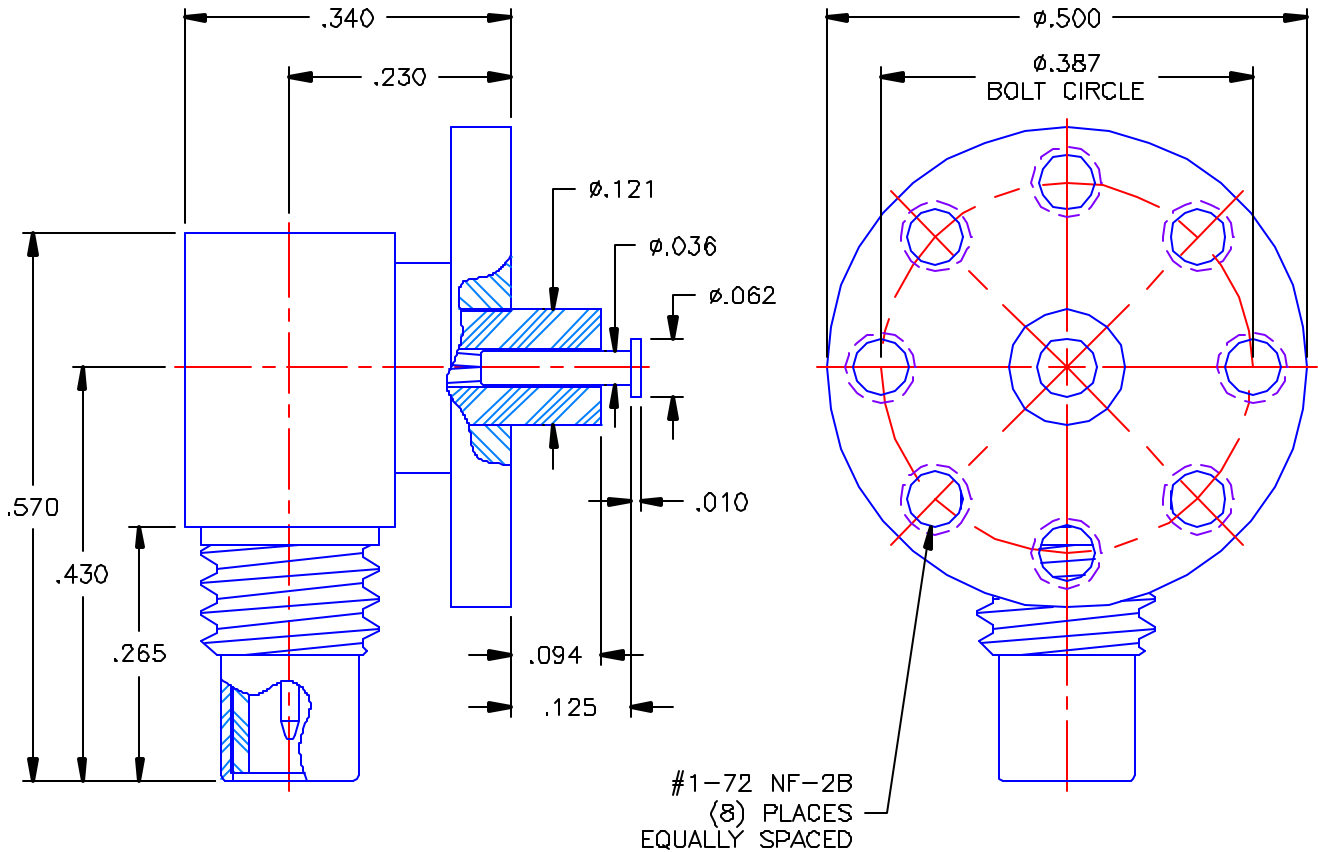


PROPRIETARY INFORMATION  
 NOT TO BE RELEASED  
 WITHOUT WRITTEN PERMISSION  
 FROM AN AUTHORIZED  
 REPRESENTATIVE OF  
 APPLIED ENGINEERING PRODUCTS

REVISIONS			
REV	DESCRIPTION	DATE	APPROVED
-	INITIAL RELEASE	12/30/02	A.D.M.




**NOTES:**

**MATERIALS:**

1. BODIES = STAINLESS STEEL PER ASTM A582, ALLOY 303, CONDITION "A".
2. INSULATORS = VIRGIN WHITE TEFLON PER ASTM D1710, GRADE 1, TYPE I, CLASS "B".
3. CONTACTS & CAP = BRASS PER ASTM B16, ALLOY C36000, TEMPER H02.
4. FEMALE CONTACT = BERYLLIUM COPPER PER ASTM B196, ALLOY C17300, TEMPER TD04.

**FINISHES:**

1. BODIES = GOLD PLATE PER MIL-G-45204, TYPE II, CLASS O, GRADE C, OVER .000050 TO .00010 STRESS FREE NICKEL PER QQ-N-290.
2. CONTACTS = GOLD PLATE PER MIL-G-45204, TYPE II, CLASS 1, GRADE C, OVER .00010 TO .00020 STRESS FREE SULFAMATE NICKEL PER QQ-N-290.
3. CAP = GOLD PLATE PER MIL-G-45204, TYPE II, CLASS O, GRADE C, OVER .00010 TO .00020 COPPER STRIKE PER MIL-C-14550.

UNLESS OTHERWISE SPECIFIED DIMENSIONS ARE IN INCHES TOLERANCES ON	DWN. A.D.M.	DATE 12/23/02	 <b>APPLIED ENGINEERING PRODUCTS</b> 104 John W. Murphy Dr. New Haven, CT 06513
	CHKD: D.N.	DATE 12/30/02	
DECIMAL	ANGLE	APVD: D.J.C.	DATE 12/30/02
REFERENCE:		MATERIALS & FINISHES: SEE NOTES	
ORIGINATOR: A.D.M DATE: 12/23/02		SIZE A	FSCM NO. 19505
		DWG NO. 1092-1513-403	REV -
		SCALE 5:1	SHEET 1 OF 1

1092-1513-403