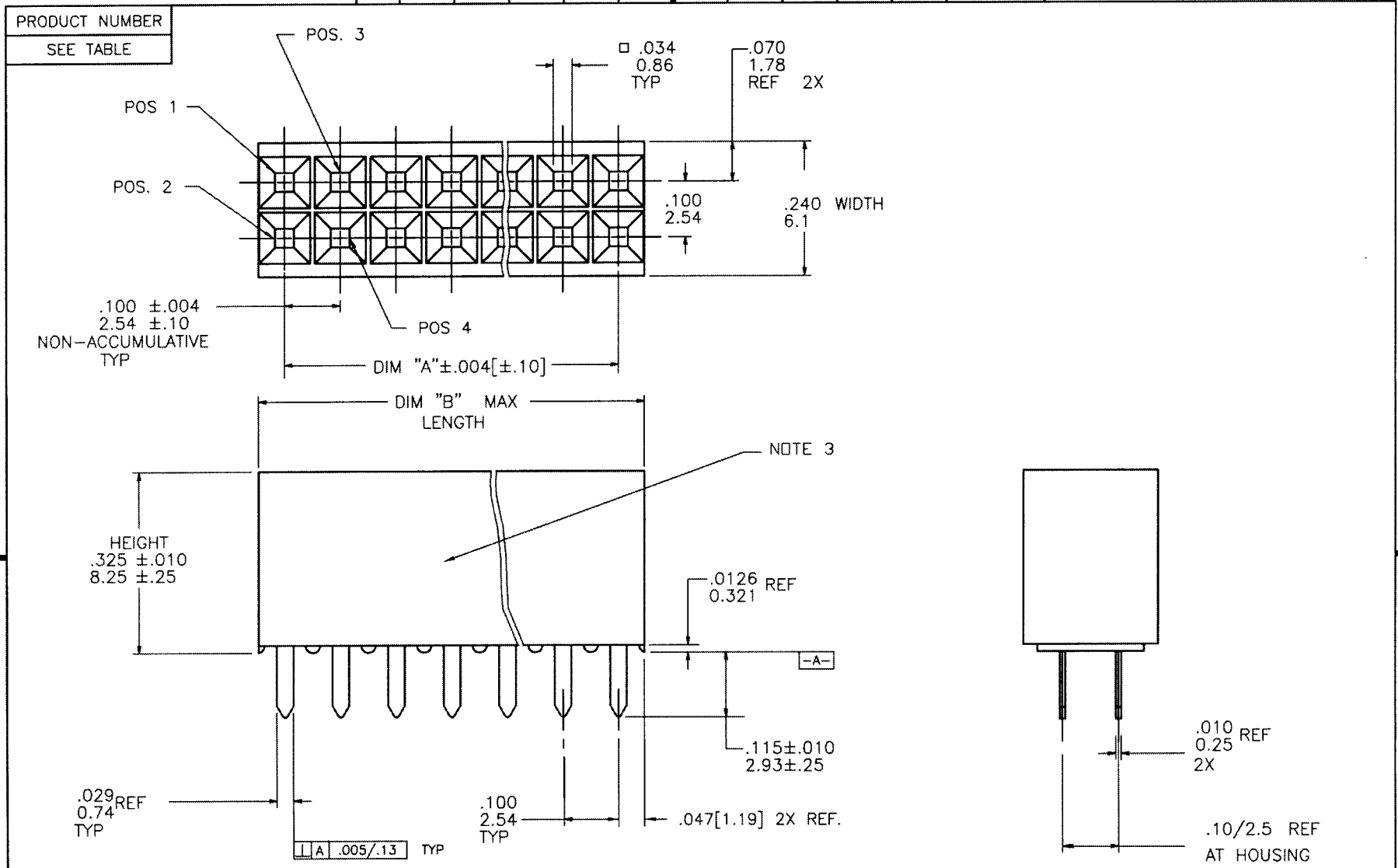


Tous droits strictement reserves. Reproduction ou communication a des tiers interdite sous quelque forme que ce soit sans autorisation ecrite du proprietaire.  
 Propriete de ©BERG ELECTRONICS. Droits de reproduction BERG ELECTRONICS INC.



All rights strictly reserved. Reproduction or issue to third parties in any form whatever is not permitted without written authority from the proprietor.  
 Property of ©BERG ELECTRONICS Copyright BERG ELECTRONICS INC.

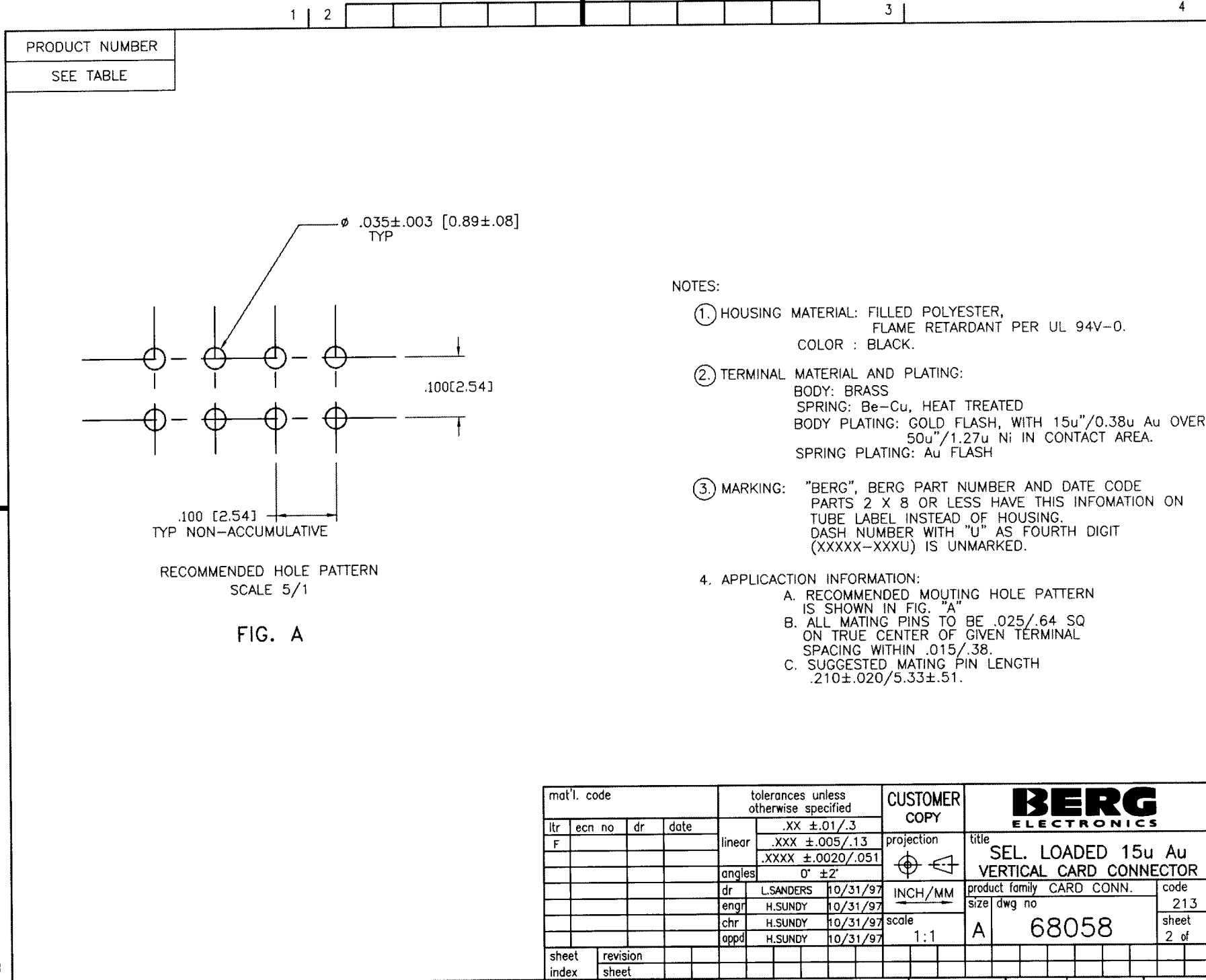


mat'l. code				tolerances unless otherwise specified		CUSTOMER COPY	<b>BERG ELECTRONICS</b>
ltr	ecn no	dr	date	linear	.XX $\pm .01 / .3$		
E	V23244	MRC	9/30/92		.XXX $\pm .005 / .13$		SEL. LOADED 15u Au VERTICAL CARD CONNECTOR
F	V70794	LSS	10/30/97	angles	.XXXX $\pm .0020 / .051$		
				dr	J.W.BAIR 10/3/88	scale	code
				engr	W. NORTHEY 9/30/92	4:1	213
				chr	C. GINGRICH 9/30/92		size
				appd	W. NORTHEY 9/30/92		dwg no
sheet	revision	F	F	F			A
index	sheet	1	2	3			68058
							1 of 3

Tous droits strictement reserves. Reproduction ou communication a des tiers interdite sous quelque forme que ce soit sans autorisation ecrite du propriétaire.  
 Propriete de ©BERG ELECTRONICS. Droits de reproduction BERG ELECTRONICS INC.

**BERG**  
ELECTRONICS

All rights strictly reserved. Reproduction or issue to third parties in any form whatever is not permitted without written authority from the proprietor.  
 Property of ©BERG ELECTRONICS Copyright BERG ELECTRONICS INC.



RECOMMENDED HOLE PATTERN  
SCALE 5/1

FIG. A

NOTES:

- ① HOUSING MATERIAL: FILLED POLYESTER, FLAME RETARDANT PER UL 94V-0. COLOR : BLACK.
- ② TERMINAL MATERIAL AND PLATING:  
 BODY: BRASS  
 SPRING: Be-Cu, HEAT TREATED  
 BODY PLATING: GOLD FLASH, WITH 15u"/0.38u Au OVER 50u"/1.27u Ni IN CONTACT AREA.  
 SPRING PLATING: Au FLASH
- ③ MARKING: "BERG", BERG PART NUMBER AND DATE CODE PARTS 2 X 8 OR LESS HAVE THIS INFORMATION ON TUBE LABEL INSTEAD OF HOUSING. DASH NUMBER WITH "U" AS FOURTH DIGIT (XXXX-XXXU) IS UNMARKED.
- 4. APPLICATION INFORMATION:  
 A. RECOMMENDED MOUNTING HOLE PATTERN IS SHOWN IN FIG. "A"  
 B. ALL MATING PINS TO BE .025/.64 SQ ON TRUE CENTER OF GIVEN TERMINAL SPACING WITHIN .015/.38.  
 C. SUGGESTED MATING PIN LENGTH .210±.020/5.33±.51.

mat'l. code				tolerances unless otherwise specified		CUSTOMER COPY		<b>BERG ELECTRONICS</b>	
ltr	ecn no	dr	date	linear	.XX ±.01/.3	projection		title	
F					.XXX ±.005/.13			SEL. LOADED 15u Au VERTICAL CARD CONNECTOR	
					.XXX ±.0020/.051			product family CARD CONN. code 213	
				angles	0° ±2'	INCH/MM		size	
				dr	L.SANDERS 10/31/97			A 68058	
				engr	H.SUNDY 10/31/97	scale 1:1			
				chr	H.SUNDY 10/31/97				
				appd	H.SUNDY 10/31/97				
sheet index	revision sheet							cage code 22526	

All rights strictly reserved. Reproduction or issue to third parties in any form  
 whatever is not permitted without written authority from the proprietor.  
 Property of © BERG ELECTRONICS Copyright BERG ELECTRONICS INC.



Tous droits strictement reserves. Reproduction ou communication a des tiers interdite  
 sous quelque forme que ce soit sans autorisation écrite du propriétaire.  
 Propriete de © BERG ELECTRONICS. Droits de reproduction BERG ELECTRONICS INC.

1 | 2 | 3 | 4

PRODUCT NO	SIZE	DIM "A"	DIM "B"	UNLOADED POSITIONS
68058-001	2 X 24	2.300/58.42	2.400/60.96	1,2,3,4,45,46,47,48
68058-002	2 X 30	2.900/73.66	3.000/76.20	1,2,3,4,57,58,59,60
68058-003	2 X 19	1.800/45.72	1.900/48.26	1,2,3,4,35,36,37,38
68058-004	2 X 28	2.700/68.58	2.800/71.12	1,2,3,4,53,54,55,56
68058-005	2 X 31	3.000/76.20	3.100/78.74	1,2,3,4,59,60,61,62
68058-006	2 X 27	2.600/66.04	2.700/68.58	1,2,24,25,26,27
68058-007	2 X 15	1.400/35.56	1.500/38.10	5,6

A

A

B

B

mat'l. code				tolerances unless otherwise specified		CUSTOMER COPY		<b>BERG ELECTRONICS</b>			
ltr	ecn no	dr	date	linear	.XX ±.01/.3	projection		title			
F					.XXX ±.005/.13			SEL. LOADED 15u Au		VERTICAL CARD CONNECTOR	
					.XXX ±.0020/.051			product family CARD CONN.		code	
				angles	0° ±2°	INCH/MM		size			
				dr	L.SANDERS 10/31/97			A 68058		213	
				enr	H.SUNDY 10/31/97	scale		sheet			
				chr	H.SUNDY 10/31/97	1:1		3 of			
				appd	H.SUNDY 10/31/97						
sheet index	revision sheet							cage code			
								22526			