



9 & 30 LED Cluster Index Dual Contact Automotive 15mm Bayonet Right-Angle Based Lamps

For after market use. May not comply with SAE or DOT standards.

Features

- Maintenance Free, Easy Installation
- Solid-State, High Shock/Vibration Resistant
- Built-in Current Limiting Resistors
- LED Operating Life: 100,000+ hrs (10+ Years)
- Low Power Consumption, High Intensity
- Major Power Savings
- Major Reduction in Heat Generation
- Three-Year Lamp Warranty

Options

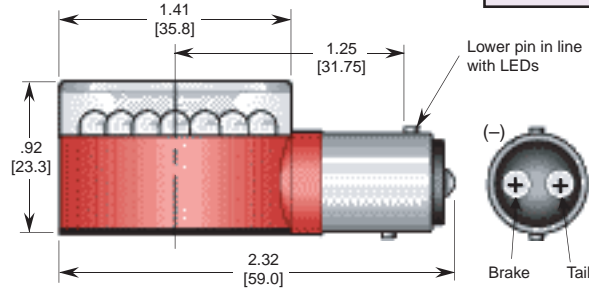
- Other Voltages Available
- Other Bases Available
- Other Colors Available

Applications

- Auto/Aircraft
- Auto Signal
- Recreation Vehicles
- Trucks

Note:

LED brake/tail lamps may not work with some older thermal flasher units.
An LED brake/tail lamp will require an electronic flasher/blinker unit which is commonly available at your local auto parts store.

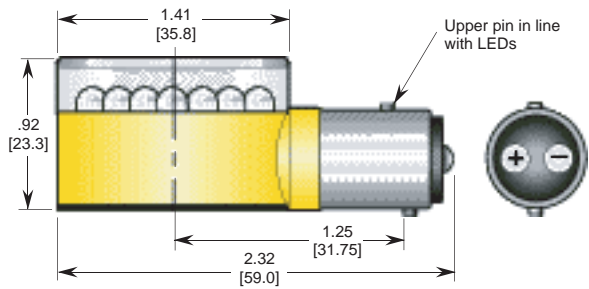


Red LED Brake/Turn/Tail

AUT1157R1-0ER-014V
Other Voltages: 24V, 28V, 36V, 48V

Replacement for: Incandescent Number 1157
Base Size: 15mm
Base Type: Index Dual Contact (DC) Bayonet
Output Color: Super Red 633nm
Operating Voltage: 12-14VDC
Total Light Output (End Lumens/End Footcandles): 120
Number of LEDs: 30

U.S. Patent No. 402,772

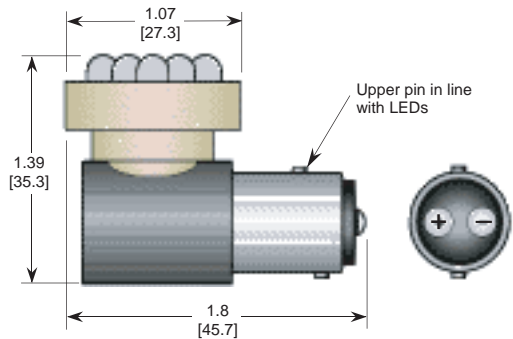


Yellow LED Turn Signal

AUT1157R1-0UY-014VR
Other Voltages: 24V, 28V, 36V, 48V

Replacement for: Incandescent Number 1157
Base Size: 15mm
Base Type: Reverse Index Dual Contact (DC) Bayonet
Output Color: Super Yellow 595nm
Operating Voltage: 12-14VDC
Total Light Output (End Lumens/End Footcandles): 90
Number of LEDs: 30

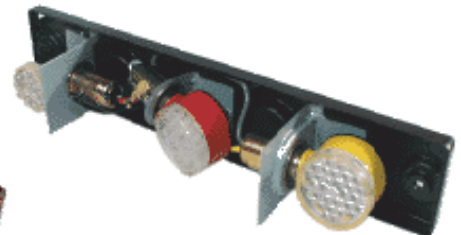
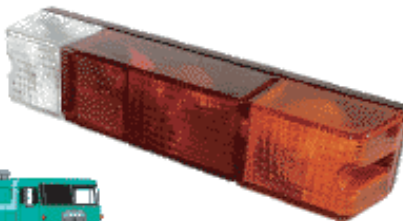
U.S. Patent No. 402,772



White LED Back-Up

AUT1157R1-0CW-014VR
Other Voltages: 24V, 28V, 36V, 48V

Replacement for: Incandescent Number 1157
Base Size: 15mm
Base Type: Reverse Index Dual Contact (DC) Bayonet
Output Color: Super Cool White 8000K
Operating Voltage: 12-14VDC
Total Light Output (End Lumens/End Footcandles): 45
Number of LEDs: 9



Log # 137B Rev 06-2001