

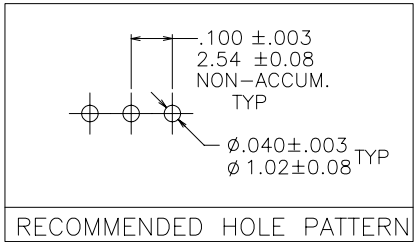
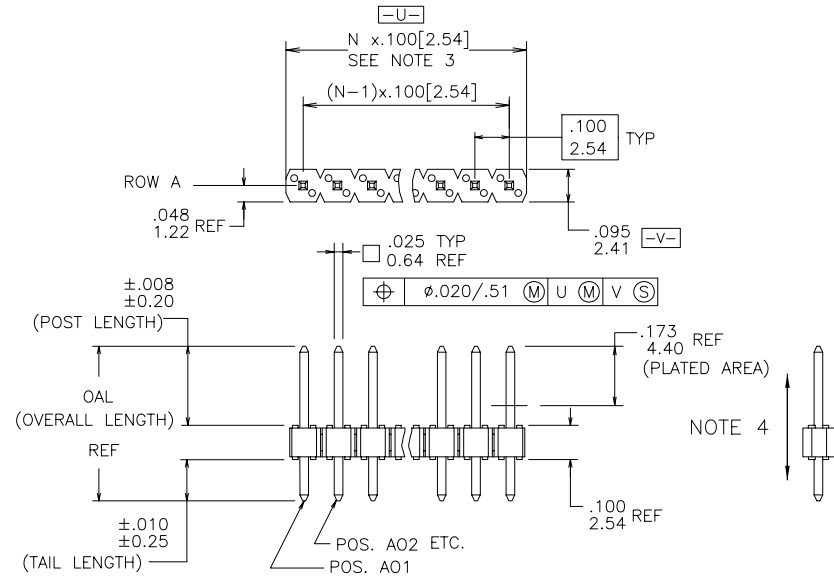
PRODUCT NUMBER

5 4 1 0 1 - X X X - X X - X X X X LF

PLATING  
 S= 15µ"[0.38µm]GOLD ON CONTACT AREA  
 100µ"[2.54µm]TIN ON TAIL.  
 G= 30µ"[0.76µm]GOLD ON CONTACT AREA  
 100µ"[2.54µm]TIN ON TAIL.  
 T= 100-160µ"[2.54-4.04µm]TIN ON CONTACT AREA AND ON TAIL (SEE NOTE 11 & 15)  
 F= 2µ"[0.05µm] GOLD ON CONTACT AREA & ON TAIL

LEAD FREE NOTE 12 & 13  
 RETENTION R=RETENTIVE LEG NOTE 5 & 7  
 POLARIZATION NOTE 7 & 9  
 BERGSTIK POSITIONS PER ROW 01 TO 36 NOTE 10  
 BERGSTRIIP POSITIONS PER REEL 00=36,000 PIN STYLES 5, 6, 8, 10, 30, 32 ONLY.

PIN STYLE	POST	TAIL	OAL
05	0.230/5.84	0.095/2.41	0.425/10.80
06	0.230/5.84	0.110/2.79	0.440/11.18
08	0.230/5.84	0.120/3.05	0.450/11.43
10	0.230/5.84	0.150/3.81	0.480/12.19
12	0.230/5.84	0.300/7.62	0.630/16.00
30	0.318/8.08	0.120/3.05	0.538/13.67
32	0.318/8.08	0.150/3.81	0.568/14.43
34	0.318/8.08	0.212/5.38	0.630/16.00



mat'l. code SEE NOTES 1 & 2		surface ISO 1302 ✓	tolerance ISO 406 ISO 1101	projection INCH/MM	product family BERGSTIK
ltr	ecn	no	dr	date	tolerances unless otherwise specified
K	M05-0118	MHT	6/30/05	angles	linear
L	M06-0094	MHT	2/27/06		
M	M06-0268	MHT	7/14/06	0°±2'	
N	M06-0346	MHT	9/04/06	dr	D.INGRAM 05/10/99
P	M07-0247	AGS	5/28/07	enr	H.SUNDY 07/15/99
R	M07-0337	MHT	7/23/07	chr	H.SUNDY 07/15/99
S	M07-0361	MHT	8/14/07	appd	H.SUNDY 07/15/99
sheet	revision	S	S		
index	sheet	1	2		

title  
 .100 UNSHROUDED HDR.  
 S/R VERT. THRU HOLE  
 scale 1:1  
 FCJ  
 sheet 1 of 2 size  
 54101 A3  
 type Product Customer Drawing

Copyright FCI  
 FCIconnect.com

1

2 3

4

5

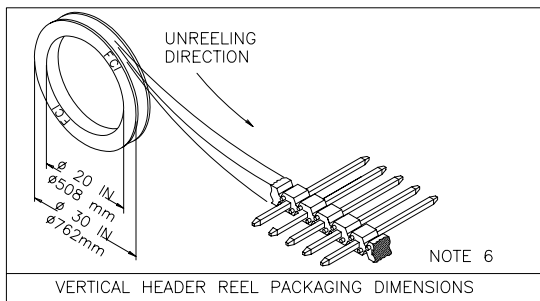
6

NOTES:

- ① HOUSING MAT'L: HIGH TEMPERATURE THERMOPLASTIC. UL94V-0, COLOR: BLACK
- ② PIN MATERIAL: PHOSPHOR-BRONZE
- ③ TO DETERMINE DIMENSIONS:  
N = NUMBER OF POSITIONS PER ROW.  
EXAMPLE: 10 POS., N x .100[2.54]=1.00[25.40].
- ④ 2LBS/0.9KG MIN. PIN RETENTION IN EITHER DIRECTION.
- ⑤ RETENTIVE LEG APPLICABLE TO TAIL LENGTH .120/3.05 ONLY. (4 PINS PER PART HAVE RETENTION)  
5LB/2.3KG MAX INSERTION FORCE AND .25LB./1KG MIN RETENTION FORCE PER RETENTIVE PIN  
USING .062/1.57 THICK CIRCUIT BOARD AND RECOMMENDED HOLE PATTERN. RETENTIVE LOCATION  
AT THE DISCRETION OF THE MANUFACTURER. IF FEATURE IS NOT APPLICABLE, REMOVE FROM PRODUCT  
NUMBER, 1x2 OR 1x3 PARTS NOT REFERENCED.
- ⑥ BERGSTIK PACKAGED IN POLY BAGS. BERGSTRIIP PACKAGED PER REEL.
- ⑦ POLARIZATION AND RETENTION NOT APPLICABLE TO BERGSTRIIP.
- ⑧ UNDERPLATING: 50μ"/1.27μm Ni.
- ⑨ FOR POLARIZATION SPECIFY POSITION NUMBER (i.e.. A03=ROW A POS. 3)  
TO OMIT PIN.  
IF FEATURE IS NOT APPLICABLE, REMOVE FROM PRODUCT  
NUMBER.
- ⑩ POSITIONS PER ROW 37 TO 50 CAN BE PRODUCED, BUT FLATNESS AND CURVATURE MAY NOT BE HELD  
AS CLOSE AS 36 POSITION.
- ⑪ PIN TIPS ON TIN PLATED PRODUCT MAY HAVE BARE METAL ON TWO SIDS, BOTH ENDS.
- ⑫ PART NUMBERS WITH "LF" AT THE END ARE LEAD FREE.
- ⑬ THIS PRODUCT MEETS EUROPEAN UNION DIRECTIVES AND OTHER  
COUNTRY REGULATION AS DESCRIBED IN GS-22-008.
- 14. THE HOUSING WILL WITHSTAND EXPOSURE TO 260°C PEAK TEMPERATURE  
FOR 20 SECONDS IN A CONVECTION, INFRA-RED OR VAPOR PHASE REFLOW  
OVEN. SEE APPLICATION NOTES/PROCEDURES IF THEY ARE AVAILABLE OR  
FOR 15 SECONDS IN A WAVE SOLDER APPLICATION WITH A 1.5mm  
MINIMUM THICK CIRCUIT BOARD.
- ⑮ "THIS PRODUCT HAS 100% PURE TIN PLATING IN THE INTERFACE AND  
HAS NOT BEEN TESTED FOR WHISKER GROWTH IN ALL INTERCONNECT  
ENVIRONMENTS."

Cross Reference

CORE RANGE	EXTENDED RANGE
77311-101-XXLF	54101-G05XXLF
77311-801-XXLF	54101-S05XXLF
77311-118-XXLF	54101-G08XXLF
77311-818-XXLF	54101-S08XXLF



mat'l. code SEE NOTES 1 & 2		surface ISO 1302 ✓	tolerance ISO 406 ISO 1101	projection ⊕	product family BERGSTIK
ltr	ecn no	dr	date	tolerances unless otherwise specified	title
S				angles linear XX±.01/XX±0.3 XXX±.005/XX±0.13 XXXX±.0020/XXX±0.051	.100 UNSHROUDED HDR. S/R VERT. THRU HOLE
				0'±2'	INCH/MM scale 1:1
		dr	D.INGRAM	05/10/99	dwg no
		enr	H.SUNDY	07/15/99	sheet 2 of 2 size
		chr	H.SUNDY	07/15/99	54101 A3
		appd	H.SUNDY	07/15/99	type Product Customer Drawing
sheet index	revision sheet				

FCJ  
FCJconnect.com

Copyright FCJ

1

2

3

4

5

6