

SPECIFICATIONS

Mechanical

Mating Force: 4 Pounds Max
Unmating Force: 4 Pounds Max
Durability: 1000 Cycles

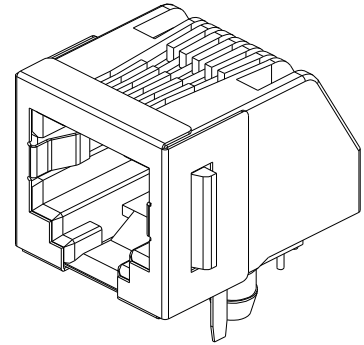
Electrical

Current Rating: 0.5A max.
Dielectric Withstanding Voltage: 1000V
Insertion Loss: -1.0dB max @1-100MHz
Return Loss: -12dB min @1-80MHz
Cross Talk: -35dB min @1-65MHz

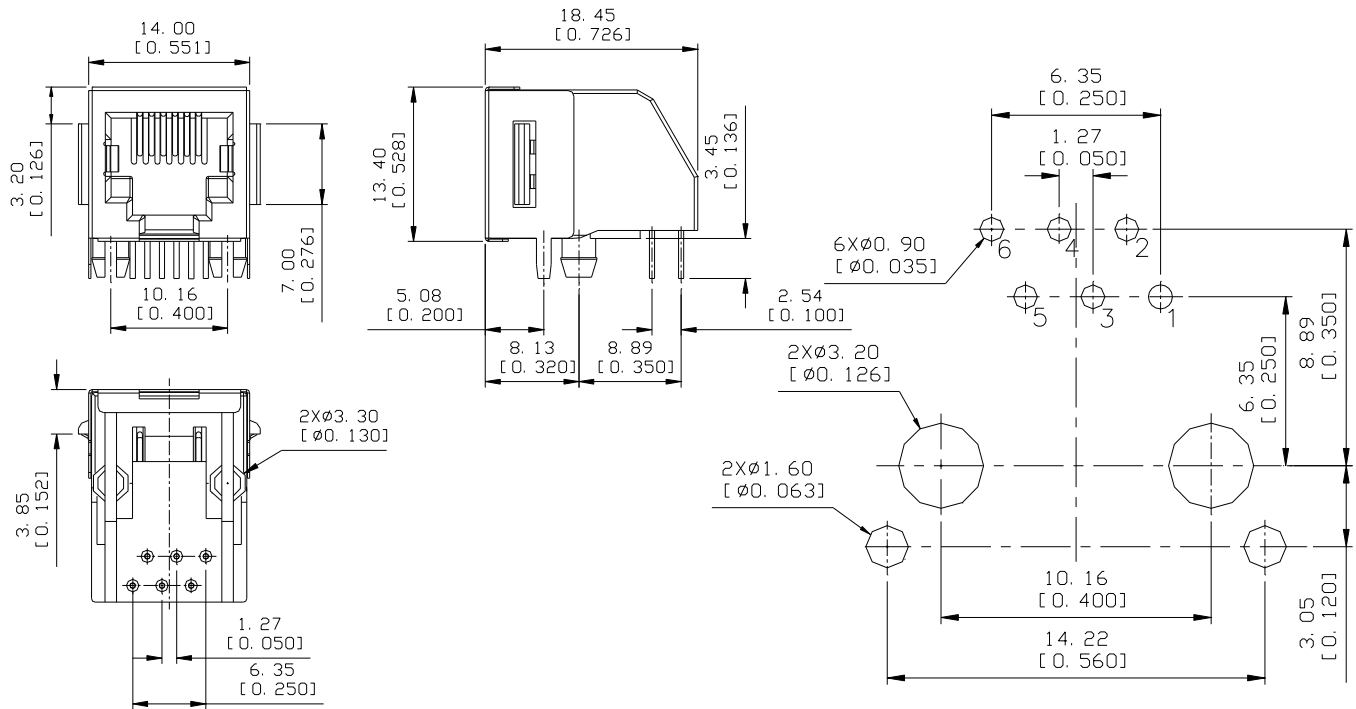
Physical

Housing: Thermoplastic, UL 94V-0 Rated in Pantone 373C Color
Contact: Copper Alloy
Shell: Copper Alloy
Operating Temperature: 0 to +70

JM Series
RJ45 1X1
R/A, T/H Type
1.27mm [.050"] Pitch



DRAWING



ORDERING INFORMATION

PRODUCT NO.: J M 5 6 3 1 1- K00*-4 *

SERIES PREFIX:
 JM=MODULAR JACK

BODY & TERMINATION:
 5=R/A HALF SHIELD T/D

Design TYPE:
 6=WITHOUT/TOP & SIDE PANEL-GND,

POS. TYPE:

NO. of Body:
 1=Single Port

LEAD FREE CODE:
 N=NONE
 F=LEAD-FREE

PACKAGE TYPE:
 4=SOFT TRAY

EXTENSION CODE:
 (* : COLOR of HOUSING)

K004= Pantone[®] 373C

CONTACT PLATING:
 1=GOLD FLASH