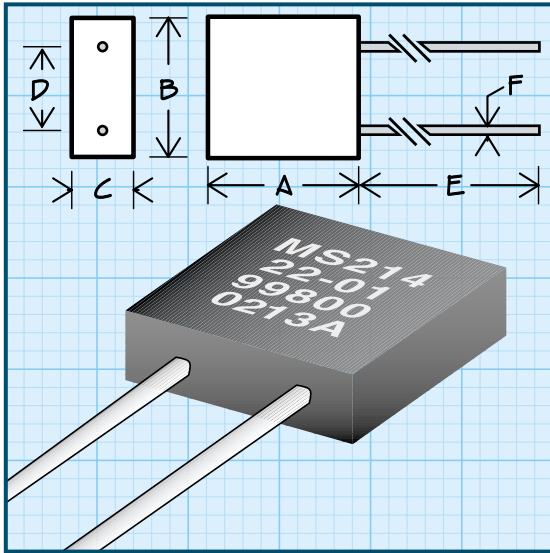


Radial Toroidal Inductors



Military Specifications MS-21422 (LT4K)

Physical Parameters

	Inches	Millimeters
A	0.200 to 0.230	5.08 to 5.84
B	0.190 to 0.210	4.83 to 5.33
C	0.090 to 0.110	2.29 to 2.79
D	0.090 to 0.110	2.29 to 2.79
E	1.00 Min.	25.40 Min.
F	0.0185 to 0.0215	0.47 to 0.55

Current Rating at 90°C Ambient 35°C Rise

Operating Temperature Range -55°C to +125°C

Maximum Power Dissipation at 90°C 0.2 W

Weight Max. (Grams) 0.5

Core Material Iron

Lead Size AWG #24 TCW

Note Inductance measured .25" from body

Packaging Bulk only

Made In the U.S.A.

DASH NUMBER*
MIL DASH #
INDUCTANCE (μH)
TOLERANCE
Q MINIMUM
TEST FREQUENCY (MHz)
SRF MINIMUM (MHz)
DC RESISTANCE MAXIMUM (OHMS)
CURRENT RATING MAXIMUM (mA)

MS21422- SERIES 2020 IRON CORE (LT4K)								
-00K	1	0.10	±10%	55	25.0	450	0.04	2200
-02K	2	0.12	±10%	60	25.0	400	0.05	2000
-04K	3	0.15	±10%	60	25.0	350	0.06	1800
-06K	4	0.18	±10%	60	25.0	320	0.07	1600
-08K	5	0.22	±10%	65	25.0	300	0.08	1500
-10K	6	0.27	±10%	65	25.0	280	0.10	1400
-12K	7	0.33	±10%	65	25.0	260	0.11	1300
-14K	8	0.39	±10%	65	25.0	240	0.14	1200
-16K	9	0.47	±10%	65	25.0	220	0.17	1100
-18K	10	0.56	±10%	70	25.0	200	0.22	1000
-20K	11	0.68	±10%	70	25.0	180	0.27	900
-22K	12	0.82	±10%	70	25.0	160	0.30	800
-24J	13	1.0	±5%	70	25.0	150	0.35	750
-26J	14	1.2	±5%	60	7.9	130	0.40	700
-28J	15	1.5	±5%	60	7.9	120	0.50	630
-30J	16	1.8	±5%	60	7.9	110	0.70	530
-32J	17	2.2	±5%	60	7.9	100	0.90	470
-34J	18	2.7	±5%	60	7.9	90	1.1	420
-36J	19	3.3	±5%	60	7.9	70	1.3	390
-38J	20	3.9	±5%	60	7.9	60	1.5	360
-40J	21	4.7	±5%	60	7.9	50	1.8	330
-42J	22	5.6	±5%	60	7.9	45	2.0	310
-44J	23	6.8	±5%	60	7.9	40	2.2	300
-46J	24	8.2	±5%	60	7.9	37	2.4	290
-48J	25	10.0	±5%	60	7.9	35	2.6	280

Parts listed above are QPL/MIL qualified

Optional Tolerances: J = 5% H = 3% G = 2% F = 1%

*Complete part # must include series # PLUS the dash #

For further surface finish information, refer to TECHNICAL section of this catalog.