

Power Cord with IEC Connector C17, Straight

**Description**

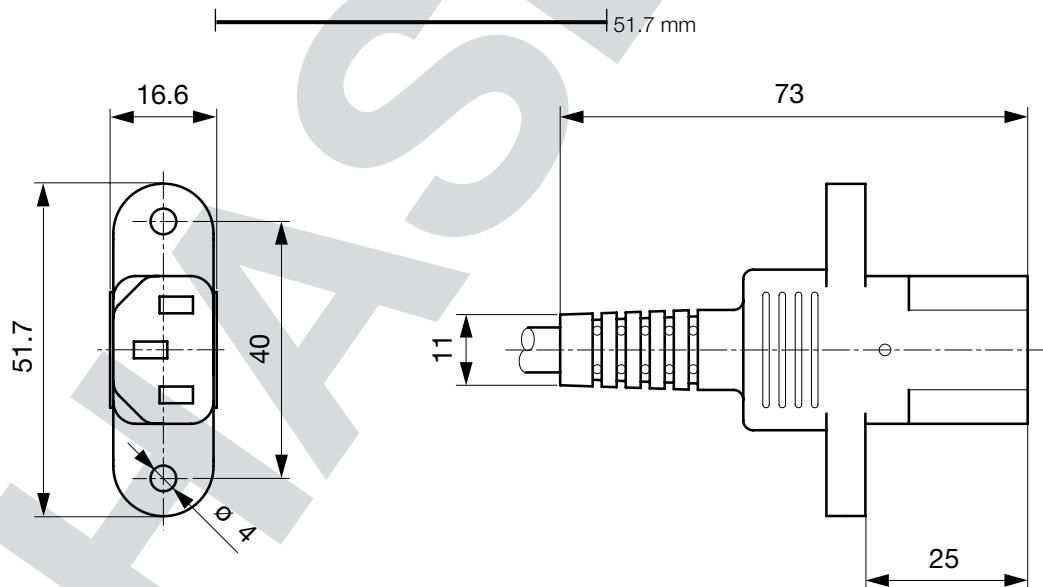
Power Supply Cord / Interconnection Cord, Protection class II, Pin temperature 70 °C, Cable

References**Weblinks**

[pdf](#), [General Product Information](#), [Approvals](#), [RoHS](#), [CHINA-RoHS](#), [Mating Connectors](#), [e-Store](#), [SCHURTER-Stock-Check](#), [Distributor-Stock-Check](#), [Accessories](#)

Technical Data

Ratings IEC	10A / 250VAC; 50Hz	Connector	C17 acc. to IEC/EN 60320-2-2
Ratings UL/CSA	15A / 250VAC; 60Hz		UL 498, CSA C22.2 no. 42 (for cold conditions) pin-temperature 70 °C, 10A, Protection Class 2
Dielectric Strength	> 2kVDC between L-N > 2kVAC between L/N-PE (1 min/50Hz)		
Allowable Operation Temp.	-25 °C to 70 °C		
Degree of Protection	from front side IP 20 acc. to IEC 60529		
Protection Class	Suitable for appliances with protection class 2 acc. to IEC 61140		
Terminal	moulded		
Material: Housing	PVC, black or grey		

Dimensions

Config. Code

Type - R - 3127 - D - Length

The characters are placeholders for the correspondingly keys of selections from the key tables. Typ is placed for the connector type on the second end, length is the cord length in mm.

Type - R - 3127 - D - Length = Cord end 2

Cord end 2

zzzz, 2225, 2228, 2343, 4121, 4142, 419C, 4190, 4191, 607B, 608B, 609B

Type - R - 3127 - D - Length = cord type

cord type

Configuration key

H03VV-F 2x0,75mm ²	A
H05VV-F 2x0,75mm ²	D
H05VV-F 2x1,0mm ²	F
SVT 2x18AWG	M

Cord definition is detailed in general product information XXX

Type - R - 3127 - D - Length = Color

Color

Configuration key

jet black; RAL9005	A
silver grey; RAL7001	B

Type - R - 3127 - D - Length = Cord length

Cord length

zzzz, 000500, 001000, 001500, 002000, 002500, 003000, 005000

Cord length in mm

Mating Inlets/Plugs

Category / Description

Appliance InletOverview complete



IEC Appliance Inlet C18, Screw-on Mounting, Rear Side, PCB Terminal	1005
IEC Appliance Inlet C18, Snap-in Mounting, Solder, Quick-connect, Screw- or PCB Terminal	6015
IEC Appliance Inlet C18, Screw-on Mounting, Front Side, Solder or Quick-connect, PCB or Screw Terminal	6065
IEC Appliance Inlet C18, Screw-on Mounting, Front Side, Solder or Quick-connect, PCB or Screw Terminal	6066
IEC Appliance Inlet C18, Screw-on Mounting, Front or Rear Side, Solder or Quick-connect Terminal	6102-3

Appliance Inletfurther types to3127

...

Interconnection CordOverview complete



Interconnection Cord with IEC Plug G, Angled	607B
Interconnection Cord with IEC Plug G, Angled	608B
Interconnection Cord with IEC Plug G, Straight	609B

Interconnection Cordfurther types to3127

Power Entry ModuleOverview complete



IEC Appliance Inlet C18 with Fuseholder 1-pole	1065
IEC Appliance Inlet C18 with Fuseholder 1- or 2-pole	1066
IEC Appliance Inlet C18 with Fuseholder 1-pole	6202

Power Entry Modulefurther types to3127