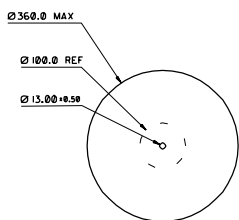


REFERENCE ONLY

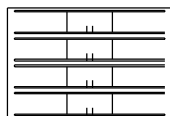
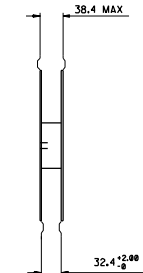


REEL DIMENSIONS  
DO NOT SCALE

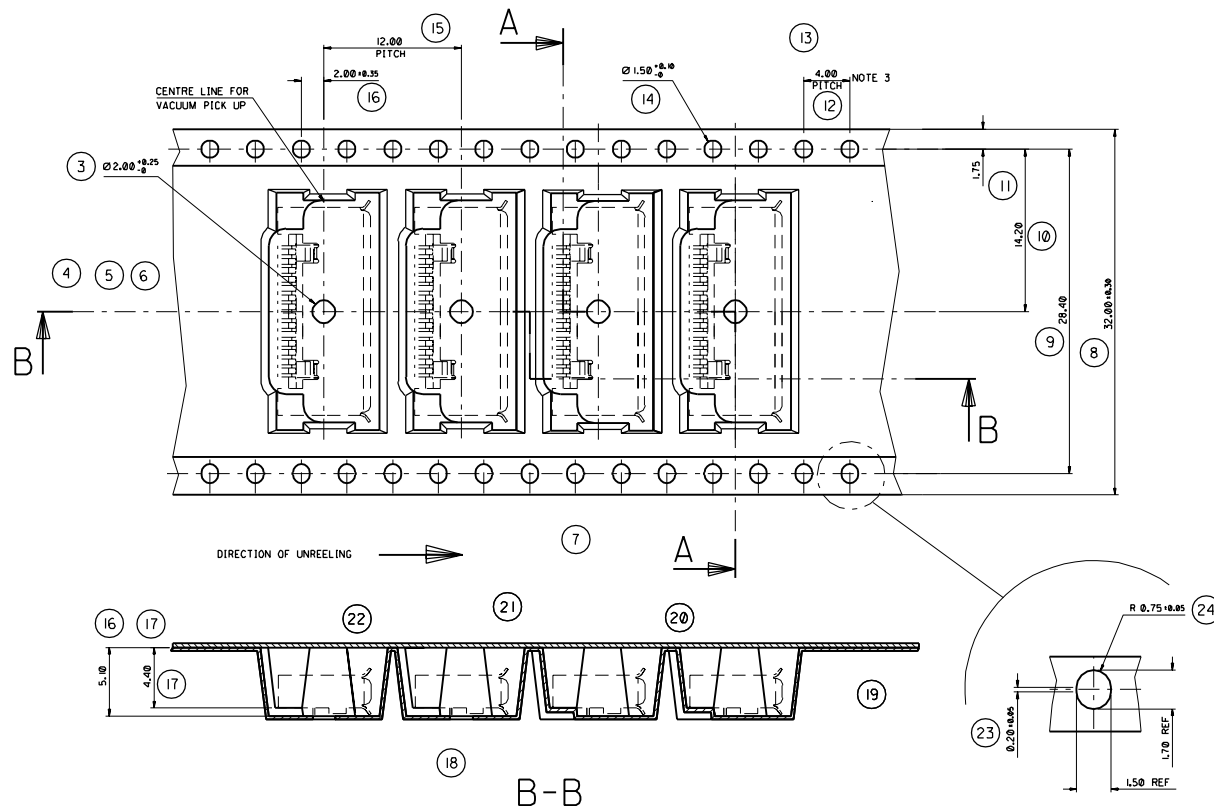
(1000) PIECES / REEL - SUBJECT TO CHANGE

(4) REELS / CARDBOARD BOX PCTN-40

(4000) PIECES / CARDBOARD BOX



TAPE ACCOMMODATES FOLLOWING PARTS	
PART NUMBER	DESCRIPTION
91109-2015	15 CCT 1/0 HANSET CONNECTOR
91109-2115	15 CCT INVERTED 1/0 HANSET CONNECTOR
91109-2215	15 CCT INVERTED 1/0 HANSET CONNECTOR



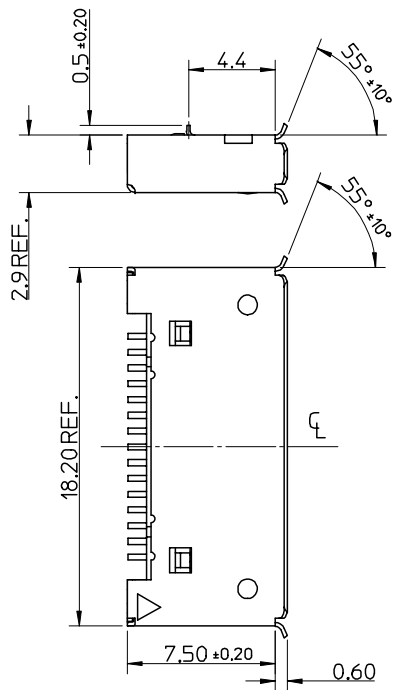
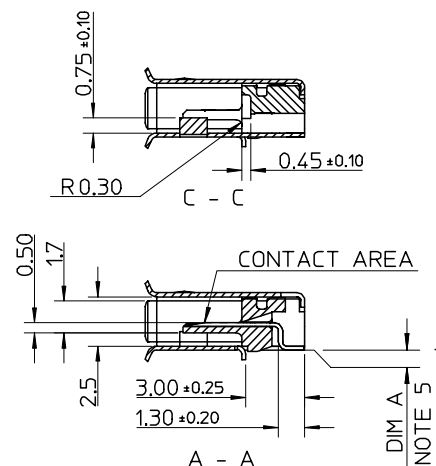
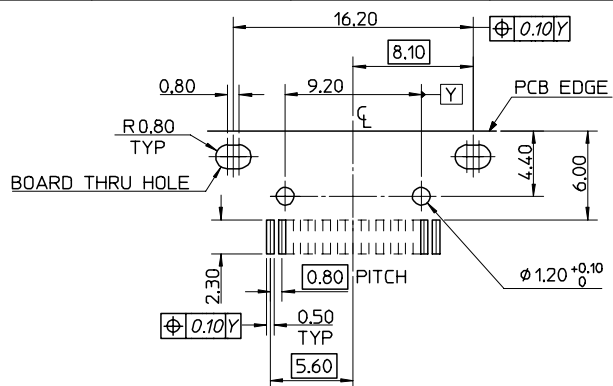
NOTES:

- D MATERIAL :  
CARRIER TAPE : VOLUME CONDUCTIVE POLYCARBONATE OR POLYSTYRENE, 0.37 REF THICK , BLACK  
COVER TAPE : COLD SEAL POLYESTER, 0.06 REF THICK, TRANSPARENT
- 2) PEEL FORCE OF THE COVER TAPE IS 0.1N TO 1.0N  
AT A MAXIMUM PEEL SPEED OF 300/min. ±10%
- 3) PITCH TOLERANCE OVER ANY 10 PITCHES ±0.2
- 4) PACKAGING SPEC. TBA.
- 5) REFERENCE TO IEC 286-3 EXCEPT WHERE NOTED

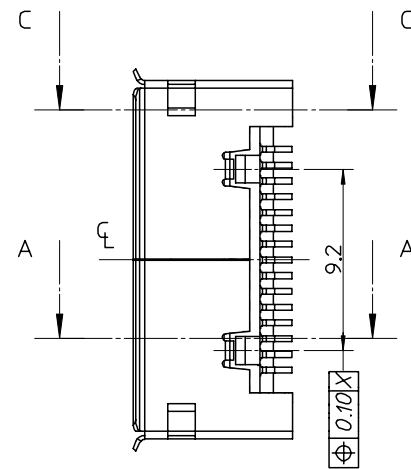
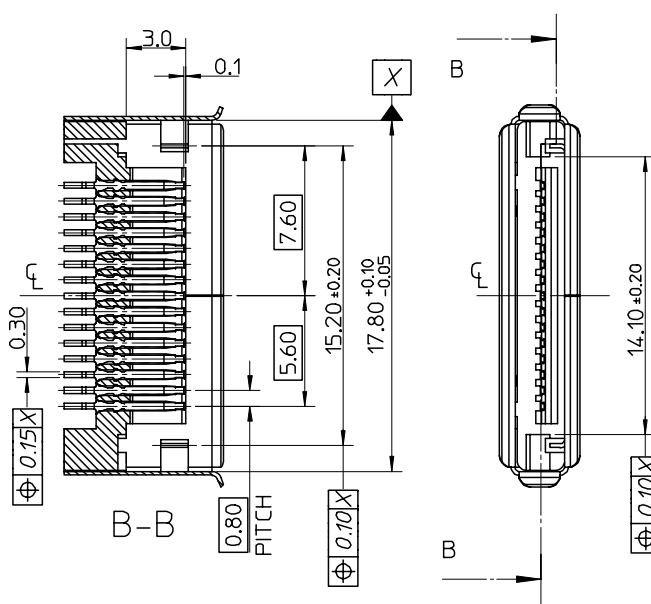
SCALE 10:1

VARIOUS CHANGES EC NO. E 193906/09 DRAWN/MURPHY 99/06/22 CHK: / / / / / APP: / / / / /	QUALITY SYMBOLS MAJOR = CRITICAL =	GENERAL TOLERANCES* (UNLESS SPECIFIED)		SCALE 5 : 1	DESIGN UNITS mm INCH	THIRD ANGLE PROJECTION	DIMENSIONS: mm INCH mm INCH	SHT	REV					
		4 PLACES ±0.1	3 PLACES ±0.1	2 PLACES ±0.10	1 PLACE ±0.20	ANGULAR: ±1/2°	DRAWN BY & DATE EFOLAN 97/10/13	CHECKED BY & DATE DOSULLIV 97/10/13	APPROVED BY & DATE MW/WHITE 97/10/14	CAD FILENAME S91109X8.DGN	MATERIAL NO. SEE CHART	DRAWING NO. SD-91109-003	SHEET NO. 1 OF 1	SIZE D
REV		DRAFT WHERE APPLICABLE MUST REMAIN WITHIN DIMENSIONS		THIS DRAWING CONTAINS INFORMATION THAT IS PROPRIETARY TO MOLEX INCORPORATED AND SHOULD NOT BE USED WITHOUT WRITTEN PERMISSION.		TITLE: BLISTER PACKAGING FOR 15 CCT 1/0 HANSET CONNECTOR		MOLEX INCORPORATED						

PART No:	DIM A	DESCRIPTION
91109-2115	0 +0.10 -0.10	15 CCT SHIELDED RECEPTACLE
91109-2215	0 +0 -0.15	15 CCT SHIELDED RECEPTACLE



RECOMMENDED PCB LAYOUT



NOTES:

1. MATERIALS:

HOUSING: 45% GF NYLON 46 UL94 V - 0, COLOUR: BLACK  
 SIGNAL CONTACTS: 0.20 THICK PHOSPHOR BRONZE  
 SHIELD: 0.20 THICK STAINLESS STEEL

2. PLATING:

SIGNAL CONTACTS: 0.10µm MIN Au OVER 1.0µm MIN Pd/Ni IN CONTACT AREA (ALL SIDES) OVER 1.27µm MIN Ni UNDERCOAT  
 SHIELD: BLACK COATING WITH 3 - 5µm Sn IN SOLDER AREA

3. PACKAGING: TAPE AND REEL PER SDA-91109-003

4. SEE PRODUCT SPECIFICATION PS-99020-0059

5. COPLANARITY BETWEEN ALL SIGNAL TAILS: 0.1MM

REMOVE LEAD FROM PLATING EC NO: E2004-0574 DRAWN:DCARTON 2004/04/20 CHKD: 2004/04/20 APPR:EFOLAN 2004/04/22	QUALITY SYMBOLS ▽ +0 ▽ -0	GENERAL TOLERANCES (UNLESS SPECIFIED)	SCALE 4:1	DESIGN UNITS METRIC	THIRD ANGLE PROJECTION	REVISE ON CAD ONLY	
			mm	INCH	DIMENSION STYLE MM ONLY		
		4 PLACES ± --- ± ---			DRAWN BY SFARKAS	DATE 2000/08/21	TITLE INVERTED SHIELDED 15 CCT RECEPTACLE I/O
		3 PLACES ± --- ± ---			CHECKED BY DMURPHY	DATE 2000/08/21	MATERIAL NO. 911092215
		2 PLACES ± 0.05 ± ---			APPROVED BY MWILHITE	DATE 2000/08/21	
		1 PLACE ± 0.10 ± ---			MOLEX INCORPORATED		
		ANGULAR ± 2 °	DRAFT WHERE APPLICABLE		DOCUMENT NO. SD-91109-007	SHEET NO. 1 OF 1	
		MUST REMAIN WITHIN DIMENSIONS	THIS DRAWING CONTAINS INFORMATION THAT IS PROPRIETARY TO MOLEX INCORPORATED AND SHOULD NOT BE USED WITHOUT WRITTEN PERMISSION				