

CIC Type (H=2.4mm) 1.0mm Spacing (SMT)



■ Features

1. 1.0mm-pitch SMT-ready FPC connector usable with CIC (Carbon in Circuit) printing.
2. Either upper or lower contact location available.
3. Of the ZIF structure.
4. Supplied in emboss-tape packaging for automatic mounting.
5. A lead-free product.

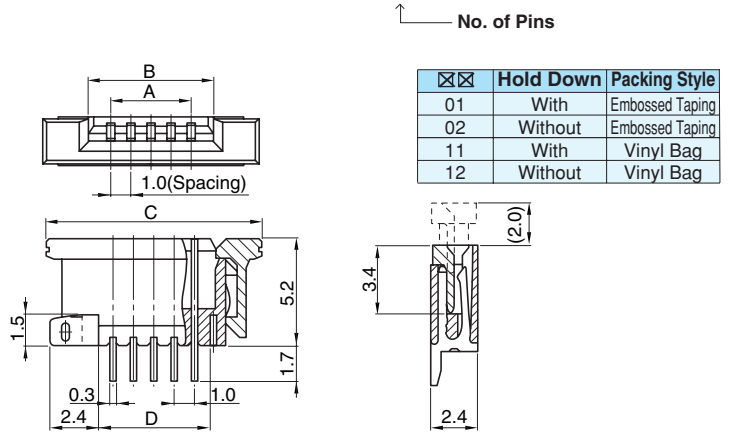
■ Specifications

1. Rating : 0.5A, 100V AC/DC
2. Contact Resistance : 30mΩ, max.
3. Insulation Resistance : 500MΩ, min. at 500V DC
4. Withstanding Voltage : 500V AC for one minute
5. Operating Temperature Range : -25°C to +70°C

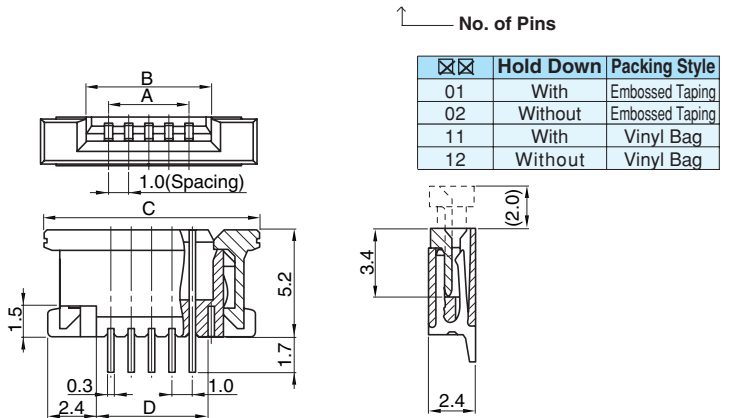
■ Material and Plating

- Housing : Polyphenylene Sulfide (PPS), Natural Color, 94V-0
- Cover : Polyphenylene Sulfide (PPS), Natural Color, 94V-0
- Contact : Phosphor Bronze, Tin Plating
- Frame : Phosphor Bronze, Tin Plating

● Upper Contact Type CFP24□□-01□□F

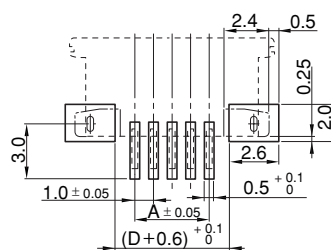


● Lower Contact Type CFP25□□-01□□F



| □□ No. of Pins | A | B | C | D | □□ No. of Pins | A | B | C | D |
|-------------------|------|------|------|------|-------------------|------|------|------|------|
| 04 | 3.0 | 5.1 | 9.7 | 4.5 | 16 | 15.0 | 17.1 | 21.7 | 16.5 |
| 05 | 4.0 | 6.1 | 10.7 | 5.5 | 17 | 16.0 | 18.1 | 22.7 | 17.5 |
| 06 | 5.0 | 7.1 | 11.7 | 6.5 | 18 | 17.0 | 19.1 | 23.7 | 18.5 |
| 07 | 6.0 | 8.1 | 12.7 | 7.5 | 19 | 18.0 | 20.1 | 24.7 | 19.5 |
| 08 | 7.0 | 9.1 | 13.7 | 8.5 | 20 | 19.0 | 21.1 | 25.7 | 20.5 |
| 09 | 8.0 | 10.1 | 14.7 | 9.5 | 21 | 20.0 | 22.1 | 26.7 | 21.5 |
| 10 | 9.0 | 11.1 | 15.7 | 10.5 | 22 | 21.0 | 23.1 | 27.7 | 22.5 |
| 11 | 10.0 | 12.1 | 16.7 | 11.5 | 24 | 23.0 | 25.1 | 29.7 | 24.5 |
| 12 | 11.0 | 13.1 | 17.7 | 12.5 | 26 | 25.0 | 27.1 | 31.7 | 26.5 |
| 13 | 12.0 | 14.1 | 18.7 | 13.5 | 28 | 27.0 | 29.1 | 33.7 | 28.5 |
| 14 | 13.0 | 15.1 | 19.7 | 14.5 | 29 | 28.0 | 30.1 | 34.7 | 29.5 |
| 15 | 14.0 | 16.1 | 20.7 | 15.5 | 30 | 29.0 | 31.1 | 35.7 | 30.5 |

■ P.C. Board Dimension



■ Applicable FPC Dimension (t=0.3±0.05)

