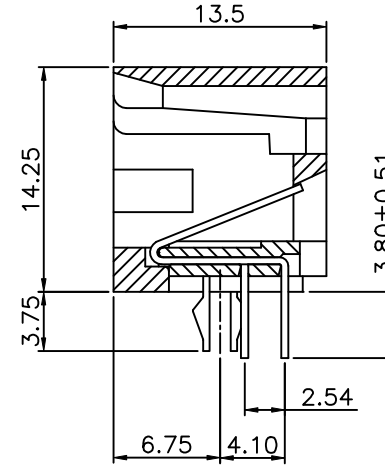
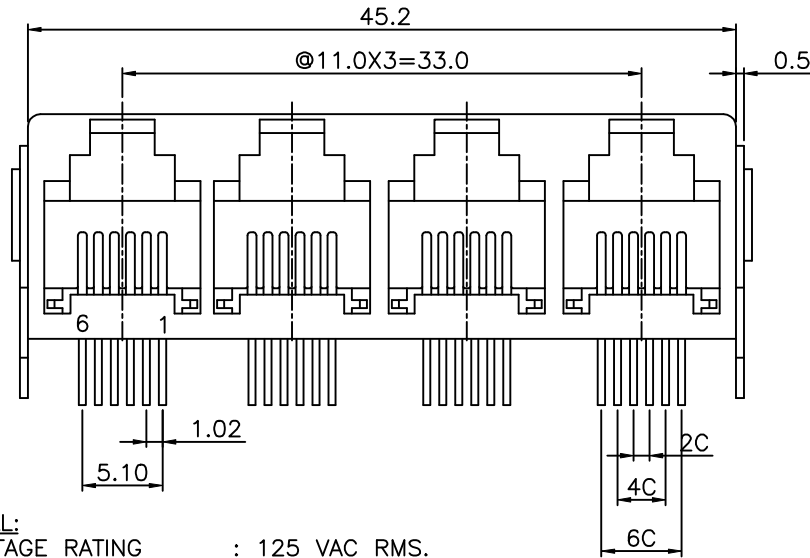


A1RFRD10

REVISION RECORD				
REV	ECO	DESCRIPTION	DRFT	CHKD
△		ADD PART NO	ULDRN 11/28/04	
△		ADD PART NO	ULDRN 12/14/04	



NOTES:

ELECTRICAL:

- VOLTAGE RATING : 125 VAC RMS.
- CURRENT RATING : 1.5 AMP.
- CONTACT RESISTANCE : 30 MILLIOHMS MAX.
- INSULATION RESISTANCE: 1000 MEGOHMS MIN @ 500 VDC.
- DIELECTRIC STRENGTH : 1000 VAC RMS 60Hz, 1MIN.

MECHANICAL:

- HOUSING MATERIAL : PBT OR FR52.
- CONTACT MATERIAL : PHOSPHOR BRONZE $\phi 0.46\text{mm}$.
- PLATING : GOLD PLATING OVER NICKEL.
- OPERATING LIFE : 750 CYCLES MIN.
- PCB RETENTION PRE-SOLDER : 1 LB MIN.
- PCB RETENTION POST-SOLDER: 10 LBS MIN.

ENVIRONMENTAL:

- STORAGE : -40°C TO $+85^{\circ}\text{C}$.
 - OPERATION: 0°C TO 70°C .
- MATES WITH MODULAR PLUG CONFORMING TO
FCC PART 68, SUBPART F.

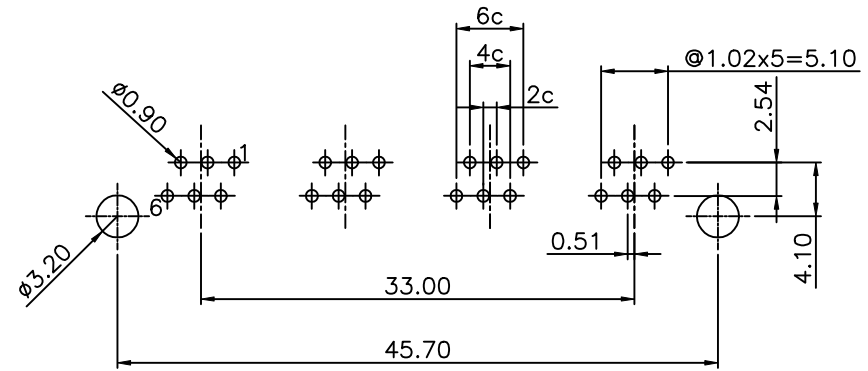
CUL FILE NO. E163191

PART NUMBER: E556X-20CXXX

NO. of Contacts	Gold Plating:
2- 2 Contacts	1- 3u" 2- 6u" 3-15u"
4- 4 Contacts	4- 30u" 5-50u" 6-Pd 20u"
6- 6 Contacts	Color of Housing:
	53-PBT Black △
	D3-PBT Gray △
	U3-FR52 Black △

LEAD FREE PART NUMBER: E556X-20CXXX-L △

NO. of Contacts	Gold Plating:
2- 2 Contacts	1- 3u" 2- 6u" 3-15u"
4- 4 Contacts	4- 30u" 5-50u" 6-Pd 20u"
6- 6 Contacts	Color of Housing:
	53-PBT Black △
	D3-PBT Gray △
	U3-FR52 Black △



PC Board Layout Component Side Shown

DETACHED LISTS	← MM (INCH) →	DFTO Christ	DATE 6/27/01'	FULL RISE ELECTRONIC CO., LTD	
	TOLERANCES EXCEPT AS NOTED	CHKD GMPU	DATE 2004/12/24		
	MM	MFO	DATE	TITLE MINI L/P METEL FOOT PCB JACK	
	.0 ± 0.20 ±	APPVLLUSHENG	DATE 2004/12/24		
.00 ± 0.15 ±	MATERIAL :		DRAWING NO. GE553A35	SIZE A3	REV 2
.000 ± 0.05 ±	ANGLES ±		/PART NO. SEE NOTE		
THIRD ANGLE PROJECTION	SCALE : 3 : 1		DO NOT SCALE DRAWING		SHEET 1 OF 1