

SPECIFICATIONS

Mechanical

Mating Force: 5Pounds max.
Unmating Force: 10Pounds max.
Durability: 3000 Cycles

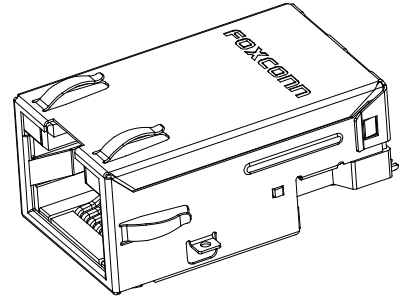
Electrical

Current Rating: 1.5A max.
Voltage Rating: 150VAC
Dielectric Withstanding Voltage: 1000VDC
Insulation Resistance: 500MΩ min.

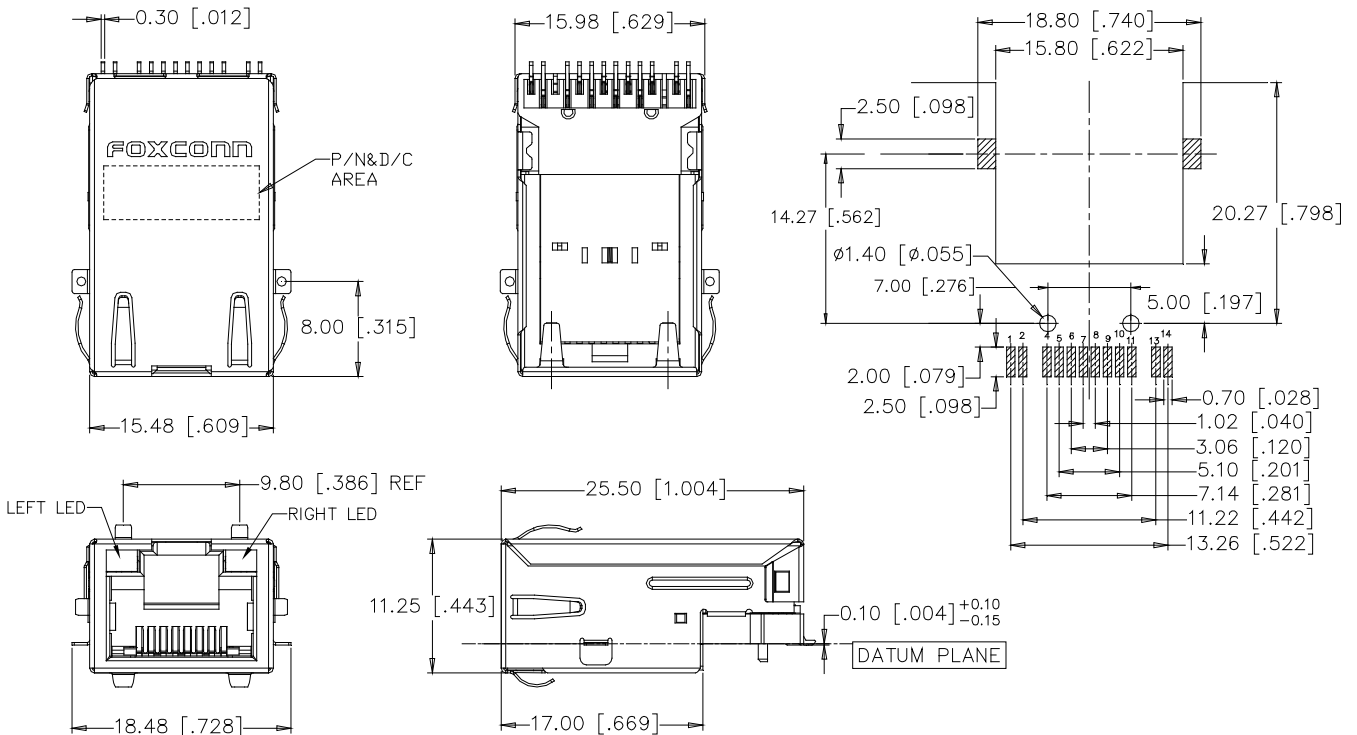
Physical

Housing: High Temp. Thermoplastic, UL 94V-0 Molded Black
Contact: Phosphor Bronze
Shell: Brass Alloy
Operating Temperature: 0°C to +70°C

JI Series
RJ45 1x1
T/U SMT Type
1.02mm [.040"] Pitch



DRAWING



ORDERING INFORMATION

REMARK:

SERIES PREFIX: JI = MODULAR JACK W/PCB
 INTEGRATION TYPE: 5 = CAT 5
 POSITION TYPE: 1 = 8P/8C
 CONFIGURATION: 1 = 1X1 T/U
 PCB ATTACHMENT METHOD: 2 = SMT
 PLATING CODE ON CONTACT AREA: 3 = 30u" GOLD

JI 5 1 1 2 3 - S F 0 1-4 F
 S = SHIELD
 LEDs

	LEFT	RIGHT
0	NONE	
1	YELLOW	GREEN
2	GREEN	GREEN
3	GREEN	YELLOW
4	YELLOW	YELLOW
5	RED	RED
6	RED	YELLOW
7	YELLOW	RED
8	RED	GREEN
9	GREEN	RED
F	GREEN	GREEN-ORANGE

FINISH:
F = LEAD FREE

PACKAGE TYPE:
4 = SOFT TRAY

FOXCONN SERIAL NO.