

Customer Information Sheet

DRAWING No.: F10-210XX06

SHEET 2 OF 2

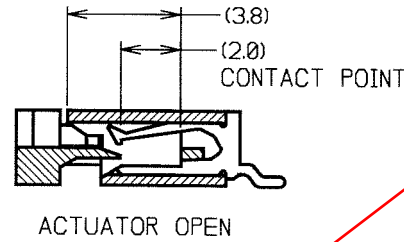
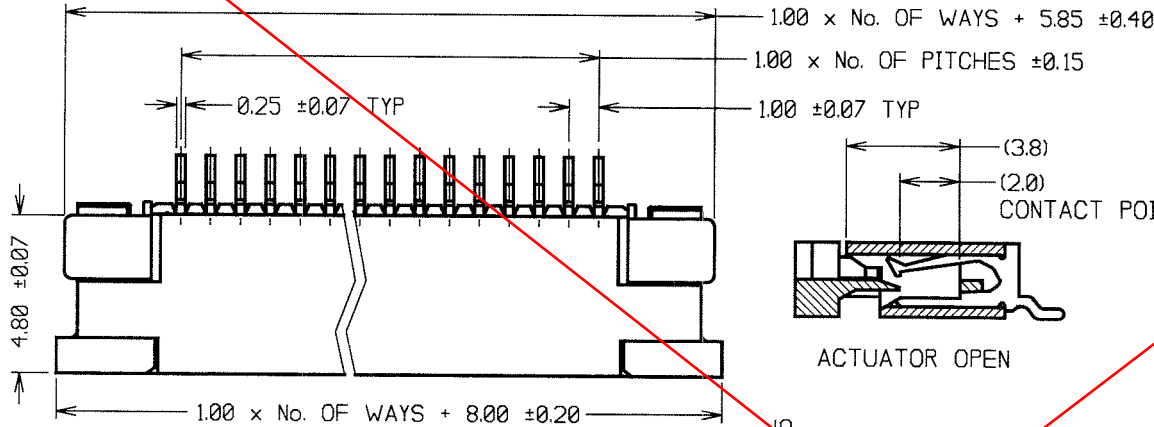
IF IN DOUBT - ASK

(C)

NOT TO SCALE

THIRD ANGLE PROJECTION

ALL DIMENSIONS IN mm



SPECIFICATION

MATERIALS:

HOUSING = LCP UL94V-0, NATURAL
 ACTUATOR = PPS UL94V-0, BLACK
 CONTACT = PHOSPHOR BRONZE
 HOLD DOWN = BRASS

FINISH:

CONTACT & HOLD DOWN = TIN

ELECTRICAL:

CURRENT RATING = 0.5A AC/DC MAX
 INSULATION RESISTANCE = 500 MEGOHMS MIN.
 CONTACT RESISTANCE = 30 MILLIOHMS MAX.

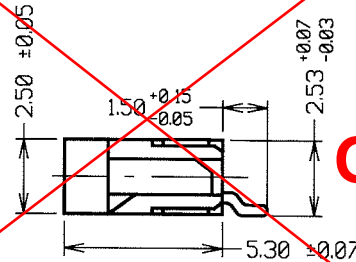
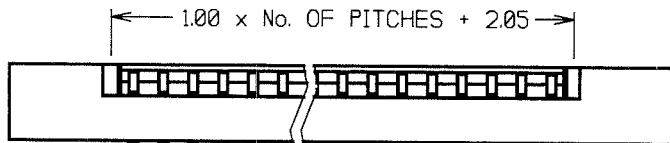
ENVIRONMENTAL:

OPERATING TEMPERATURE = -40°C TO +85°C

PACKING:

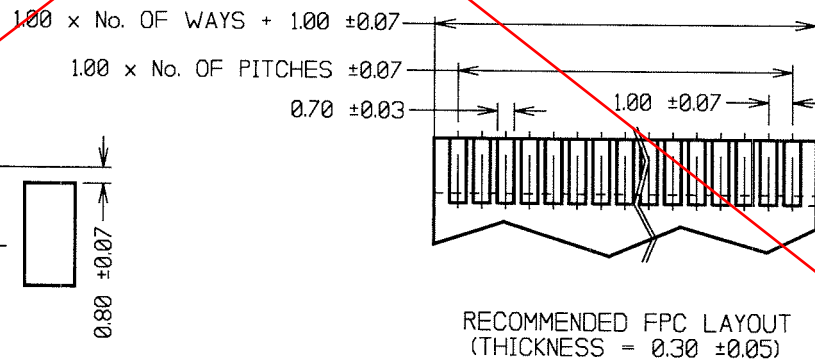
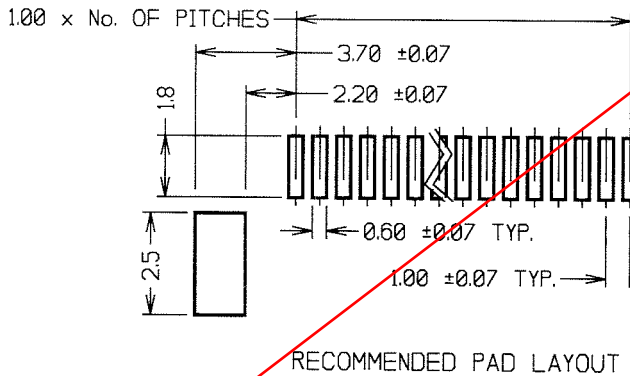
TUBE

FOR COMPLETE SPECIFICATION, SEE COMPONENT SPECIFICATION C030XX (LATEST ISSUE).



OBSOLETE

ORDER CODE:	
F10-210XX06	
No. OF WAYS	03 TO 32



JAE	8	23.11.04	8199
NAME	ISS.	DATE	C/NOTE
APPROVED: <i>[Signature]</i>			
CHECKED: <i>[Signature]</i>			
DRAWN: W. J. BOURNE		CUSTOMER REF.:	
ASSEMBLY DRG:			

HARWIN

HARWIN USA
 TEL: 603 893 5376
 FAX: 603 893 5396
 mis@harwin.com

HARWIN Europe (UK)
 TEL: 023 9231 4545
 FAX: 023 9231 4590
 mis@harwin.co.uk

HARWIN Asia
 TEL: +65 6 779 4909
 FAX: +65 6 779 3868
 mis@harwin.com.sg

THIS DRAWING AND ANY INFORMATION OR DESCRIPTIVE MATTER SET OUT HEREON ARE CONFIDENTIAL AND COPYRIGHT PROPERTY OF THE HARWIN GROUP AND MUST NOT BE DISCLOSED, LOANED, COPIED OR USED FOR MANUFACTURING, TENDERING OR FOR ANY OTHER PURPOSE WITHOUT THEIR WRITTEN PERMISSION.

TOLERANCES
 X - ±1mm
 X.X - ±0.25mm
 X.XX - ±0.10mm
 X.XXX - ±0.01mm
 ANGLES - ±5°
 UNLESS STATED

MATERIAL:
 SEE ABOVE

FINISH:
 SEE ABOVE

S/AREA:
 mm²

TITLE:
 1.00mm HORIZONTAL TOP CONTACT FPC CONNECTOR

DRAWING NUMBER:
 F10-210XX06

SHT 2 OF 2