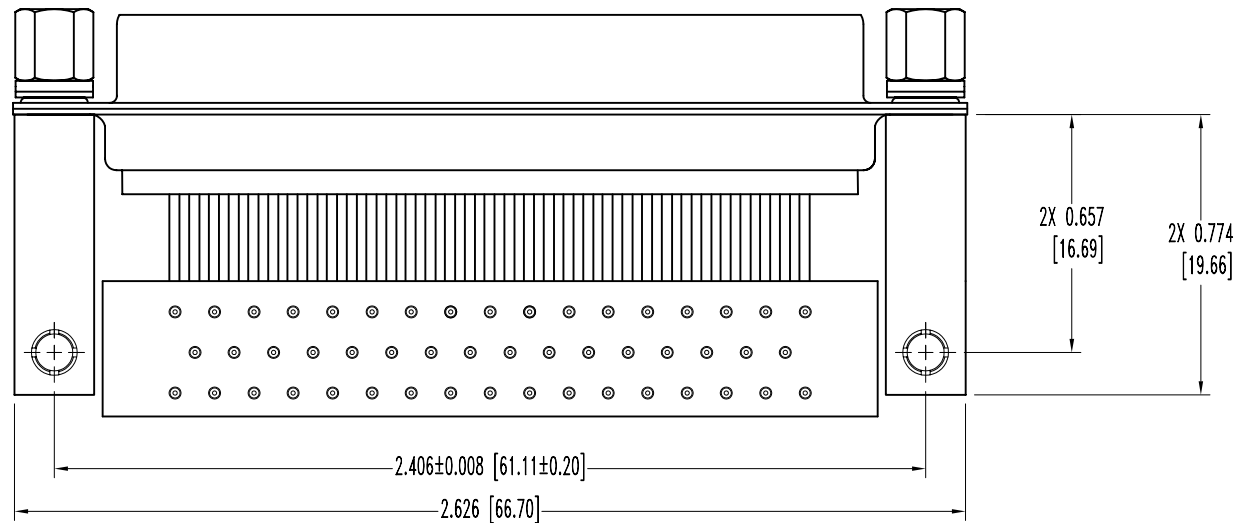
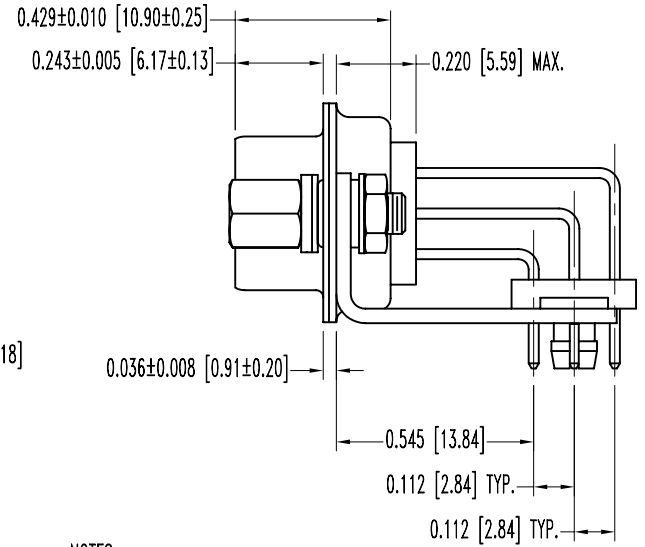
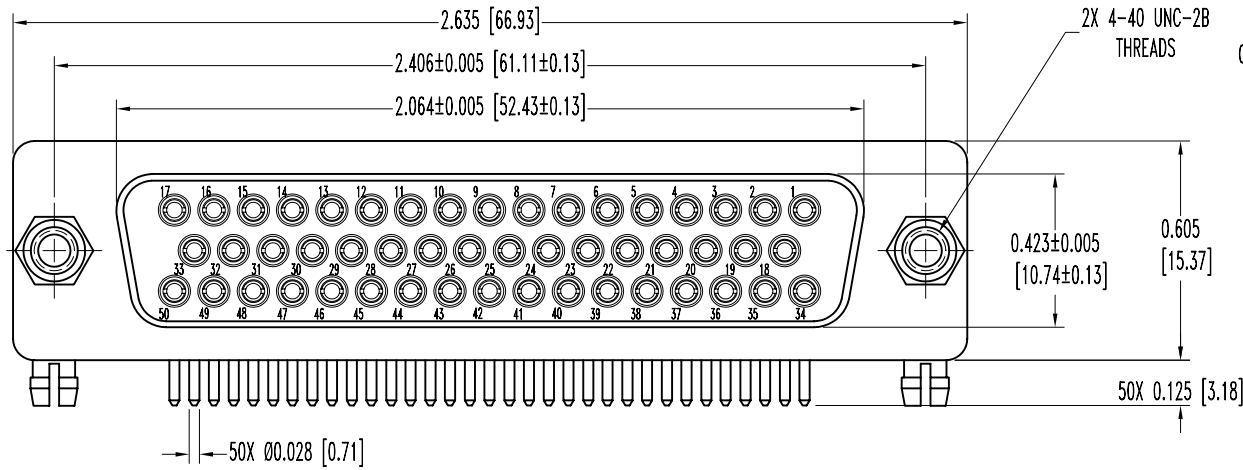
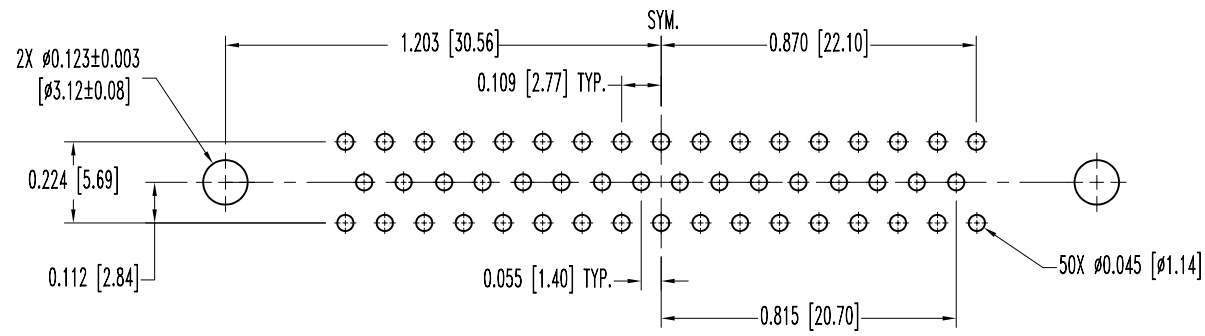


POSITRONIC INDUSTRIES BELIEVES THE DATA ON THIS DRAWING TO BE RELIABLE. SINCE THE TECHNICAL INFORMATION IS GIVEN FREE OF CHARGE, THE USER EMPLOYS SUCH INFORMATION AT HIS OWN DISCRETION AND RISK. POSITRONIC INDUSTRIES ASSUMES NO RESPONSIBILITY FOR RESULTS OBTAINED OR DAMAGES INCURRED FROM USE OF SUCH INFORMATION IN WHOLE OR IN PART.

DATE	REV	REVISION RECORD	APP	DR	CK
2-3-05	NC	ECO 23611		YK	



- NOTES:
- MATERIALS AND FINISHES:
 INSULATOR: NYLON RESIN, UL 94V-0, BLACK COLOR.
 CONTACTS: PRECISION MACHINED HIGH TENSILE PHOSPHOR BRONZE, GOLD FLASH OVER NICKEL PLATE.
 SHELLS: STAINLESS STEEL, PASSIVATED.
 ANGLE BRACKET: BRASS, ZINC PLATE WITH DICHROMATE SEAL.
 ALIGNMENT BAR: NYLON, COLOR BLACK.
 JACKSCREWS: STEEL, ZINC PLATE WITH DICHROMATE SEAL.
 WASHERS: STAINLESS STEEL, PASSIVATED.
 PUSH ON FASTENERS: BERYLLIUM COPPER, TIN PLATE.
 - ELECTRICAL CHARACTERISTICS:
 CONTACT CURRENT RATING: 7.5 AMPS NOMINAL.
 INITIAL CONTACT RESISTANCE: 0.008 OHMS MAX.
 INSULATOR RESISTANCE: 5 G OHMS.
 WORKING VOLTAGE: 300 V. r.m.s.
 - TEMPERATURE RANGE: -55°C TO +125°C.
 - DIMENSIONS ARE IN INCHES [MILLIMETERS].



CONTACT HOLE PATTERN

POSITRONIC INDUSTRIES INC. www.connectpositronic.com		SCALE: N.T.S. DRAWN BY: YK APPROVED BY:	
DECIMAL TOL. ±0.015 [0.38]		TITLE: MD SERIES	
ANGULAR TOL. ±5°		DATE: 2-3-05 DRAWING NUMBER: SK5976 REV. NC	
MD50F59R6NT2S			