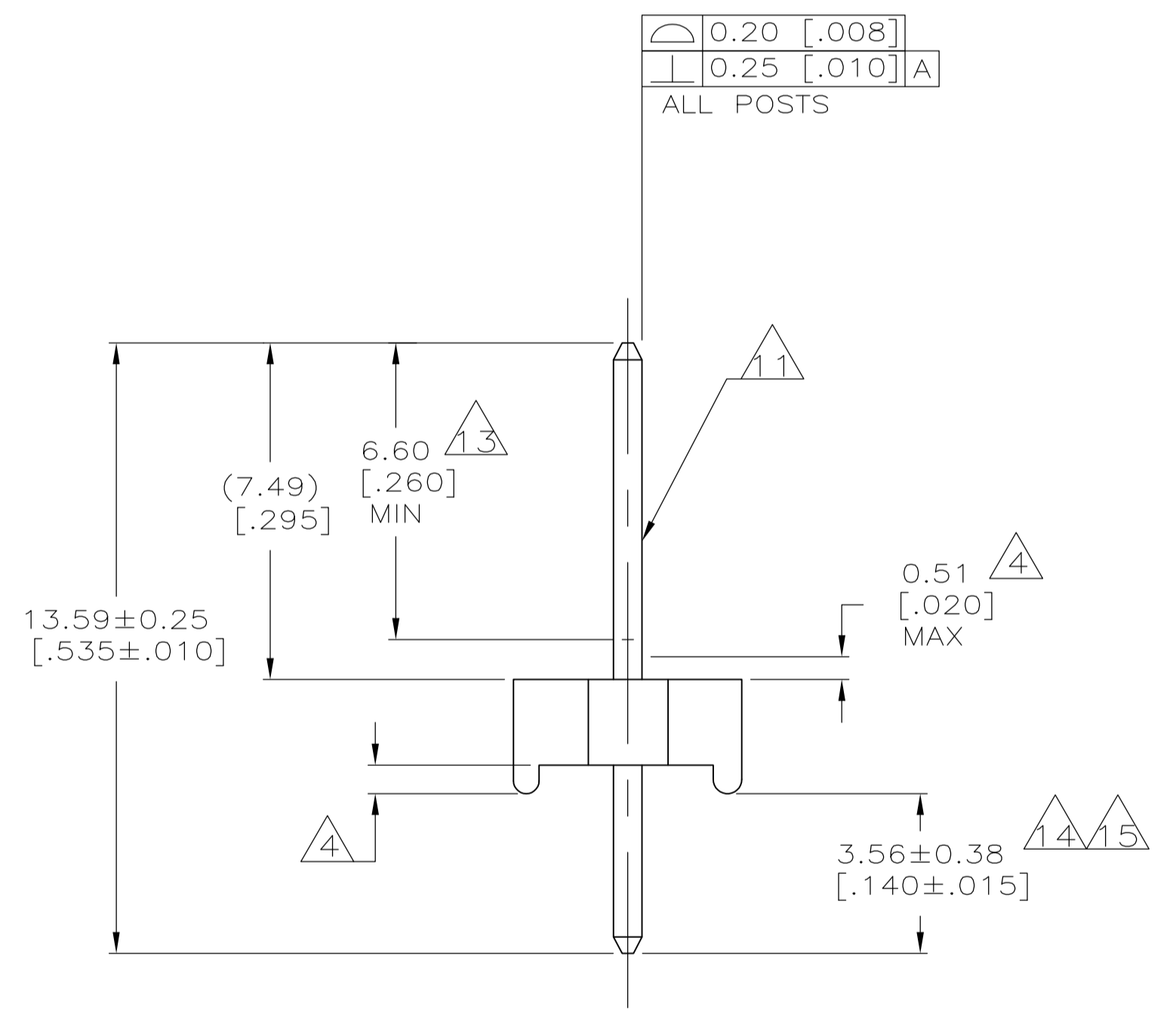
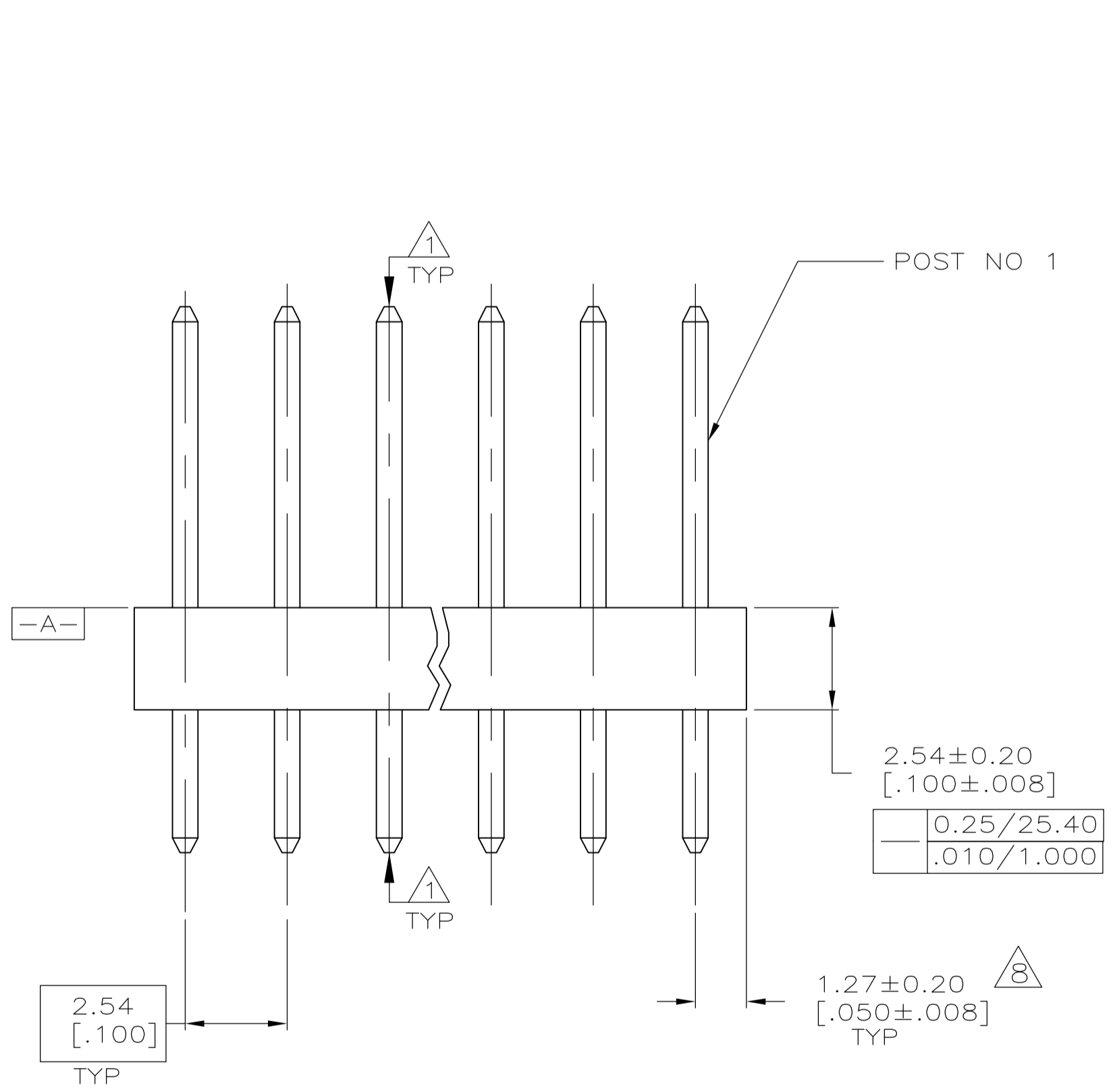


- 1 POST TO WITHSTAND 13 NEWTONS (3 LBS) MINIMUM AXIAL FORCE IN BOTH DIRECTIONS SHOWN WITHOUT DISLODGING.
- 2 TOLERANCES APPLY TO SOLDER SIDE OF BOARD.
- 3 MEASURED AT  $-A-$
- 4 PLASTIC FLASH PERMITTED IN THIS AREA.
- 5 PARTS COMPLY WITH AMP SOLDERABILITY SPEC. NO. 109-11-2.
- 6 ONE HOLE MAY BE UNDERSIZED 0.81-0.89 [0.032-.035] DIA. FOR ASSEMBLY RETENTION DURING WAVE SOLDERING.
- 7 MATERIAL: HEADER-THERMOPLASTIC POLYESTER 94V-0 (NATURAL) POST-COPPER ALLOY FINISH-USE PLATING NOTES 13 & 14 FOR -2 THRU -28 AND NOTES 13 & 15 FOR -32 THRU -58
- 8 COORDINATE DIMENSION APPLIES FROM CENTER OF ACTUAL FEATURE.
- 9 PLASTIC BURRS CAUSED BY CUT-OFF TOOLING ARE PERMITTED WITHIN THE MAXIMUM TOLERANCE ENVELOPE.
- 10 POSTS TO BE MEASURED WHEN STRIP IS HELD FLAT.
- 11 POST MUST WITHSTAND TWO 90° BENDS AGAINST EXTRUSION WITHOUT BREAKING.
- 12 DIMENSION SHOULD BE 3.05 [0.120] MIN WHEN MATING WITH A MTA-100 CONNECTOR ASSEMBLY OR A CST-100 CONNECTOR ASSEMBLY.
- 13 PLATING: GOLD PLATE AREA, 0.00038 [0.000015] GOLD OR 0.00008 [0.000003] MIN GOLD FLASH OVER 0.00030 [0.000012] PALLADIUM NICKEL, PER TE CONNECTIVITY'S DISCRETION, ALL SIDES, OVER NICKEL UNDERPLATE, .00127 [0.000050] MIN, ALL SIDES AND ENTIRE LENGTH OF POST.
- 14 PLATING: BRIGHT TIN/LEAD (93/7) PLATE AREA, 0.00381-0.00889 [0.000150-.000350] THICK, ALL FOUR SIDES 3.56 [0.140] MINIMUM.
- 15 PLATING: MATTE TIN PLATE AREA, 0.00381-0.00889 [0.000150-.000350] THICK, ALL FOUR SIDES 3.56 [0.140] MINIMUM.
- 16 OBSOLETE PARTS: OBSOLETE CIS STREAMLINING PER D.RENAUD/D.SINISI



DIM (L)	NO.OF POSN	ASSEMBLY
71.12 [2.800]	28	5-641122-8
68.58 [2.700]	27	5-641122-7
66.04 [2.600]	26	5-641122-6
63.50 [2.500]	25	5-641122-5
60.96 [2.400]	24	5-641122-4
58.42 [2.300]	23	5-641122-3
55.88 [2.200]	22	5-641122-2
53.34 [2.100]	21	5-641122-1
50.80 [2.000]	20	5-641122-0
48.26 [1.900]	19	4-641122-9
45.72 [1.800]	18	4-641122-8
43.18 [1.700]	17	4-641122-7
40.64 [1.600]	16	4-641122-6
38.10 [1.500]	15	4-641122-5
35.56 [1.400]	14	4-641122-4
33.02 [1.300]	13	4-641122-3
30.48 [1.200]	12	4-641122-2
27.94 [1.100]	11	4-641122-1
25.40 [1.000]	10	4-641122-0
22.86 [0.900]	9	3-641122-9
20.32 [0.800]	8	3-641122-8
17.78 [0.700]	7	3-641122-7
15.24 [0.600]	6	3-641122-6
12.70 [0.500]	5	3-641122-5
10.16 [0.400]	4	3-641122-4
7.62 [0.300]	3	3-641122-3
5.08 [0.200]	2	3-641122-2

DIM (L)	NO.OF POSN	ASSEMBLY	REVISIONS
71.12 [2.800]	28	2-641122-8	SUPERSEDED BY 5-641122-8
68.58 [2.700]	27	2-641122-7	SUPERSEDED BY 5-641122-7
66.04 [2.600]	26	2-641122-6	SUPERSEDED BY 5-641122-6
63.50 [2.500]	25	2-641122-5	SUPERSEDED BY 5-641122-5
60.96 [2.400]	24	2-641122-4	SUPERSEDED BY 5-641122-4
58.42 [2.300]	23	2-641122-3	SUPERSEDED BY 5-641122-3
55.88 [2.200]	22	2-641122-2	SUPERSEDED BY 5-641122-2
53.34 [2.100]	21	2-641122-1	SUPERSEDED BY 5-641122-1
50.80 [2.000]	20	2-641122-0	SUPERSEDED BY 5-641122-0
48.26 [1.900]	19	1-641122-9	SUPERSEDED BY 4-641122-9
45.72 [1.800]	18	1-641122-8	SUPERSEDED BY 4-641122-8
43.18 [1.700]	17	1-641122-7	SUPERSEDED BY 4-641122-7
40.64 [1.600]	16	1-641122-6	SUPERSEDED BY 4-641122-6
38.10 [1.500]	15	1-641122-5	SUPERSEDED BY 4-641122-5
35.56 [1.400]	14	1-641122-4	SUPERSEDED BY 4-641122-4
33.02 [1.300]	13	1-641122-3	SUPERSEDED BY 4-641122-3
30.48 [1.200]	12	1-641122-2	SUPERSEDED BY 4-641122-2
27.94 [1.100]	11	1-641122-1	SUPERSEDED BY 4-641122-1
25.40 [1.000]	10	1-641122-0	SUPERSEDED BY 4-641122-0
22.86 [0.900]	9	-641122-9	SUPERSEDED BY 3-641122-9
20.32 [0.800]	8	-641122-8	SUPERSEDED BY 3-641122-8
17.78 [0.700]	7	-641122-7	SUPERSEDED BY 3-641122-7
15.24 [0.600]	6	-641122-6	SUPERSEDED BY 3-641122-6
12.70 [0.500]	5	-641122-5	SUPERSEDED BY 3-641122-5
10.16 [0.400]	4	641122-4	
7.62 [0.300]	3	-641122-3	SUPERSEDED BY 3-641122-3
5.08 [0.200]	2	-641122-2	SUPERSEDED BY 3-641122-2

**METRIC**

THIS DRAWING IS A CONTROLLED DOCUMENT.

DIMENSIONS: mm (INCHES)	TOLERANCES UNLESS OTHERWISE SPECIFIED:	0 PLC ±	1 PLC ±	2 PLC ±	3 PLC ±	4 PLC ±	ANGLES ±
		±	±	± 0.13 [0.025]	±	±	±

MATERIAL: 7) FINISH: 7)

APPROVED: D. ROSSI 26-JAN-2005

TE Connectivity

MTA-.100 HEADER ASSEMBLY, PLAIN, .025 SQUARE STRAIGHT POST, .000015 GOLD PLATED

SIZE: A1 CAGE CODE: 00779 DRAWING NO: 641122

SCALE: 8:1 SHEET: 1 OF 1 REV: U