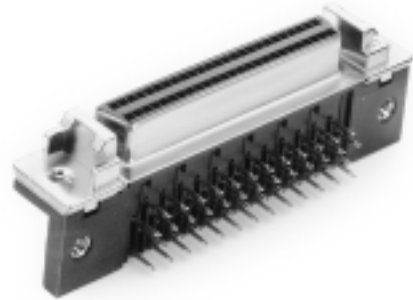


FINE PITCH "D" CONNECTOR RIGHT ANGLE RECEPTACLE



PHYSICAL PROPERTIES

INSULATION MATERIAL: Glass reinforced thermoplastic rated UL 94V-0

COLOR: Black

CONTACTS: High strength copper alloy

CONTACT PLATING: 50 microinches nickel underplate with 30 microinches gold in the mating area, 100 microinch minimum tin/lead on tails

LATCH BLOCK MATERIAL: Nickel plated zinc alloy

METAL SHELL MATERIAL: Tin plated steel

SNAP LATCH MATERIAL: High strength copper alloy

ELECTRICAL PROPERTIES

CURRENT RATING: 1 Amp

INSULATION RESISTANCE: >1000 Megohms

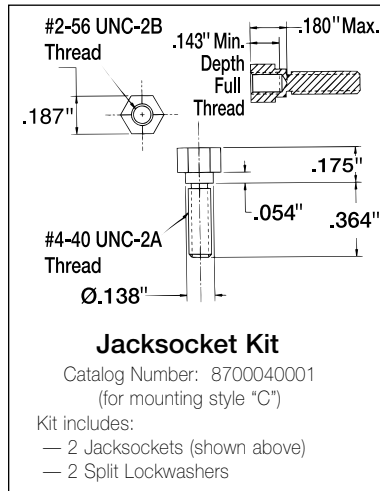
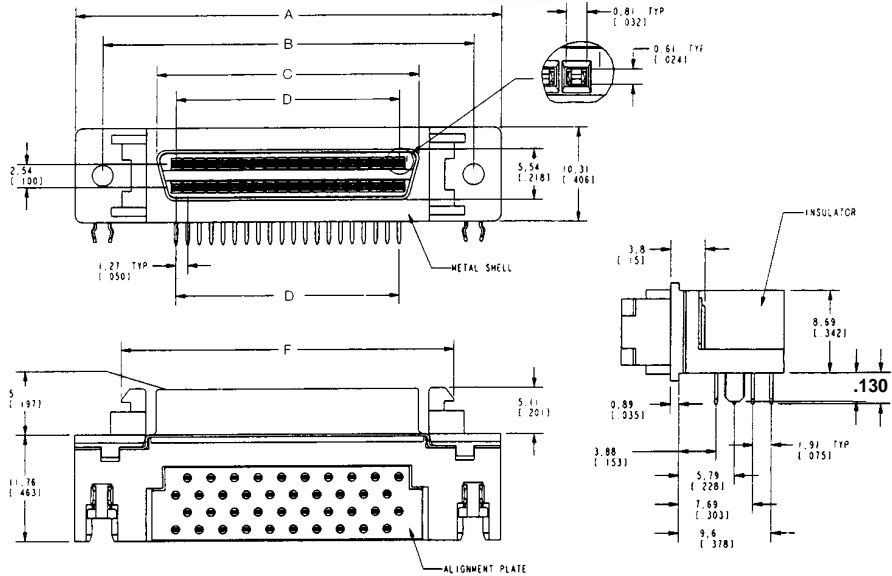
DIELECTRIC STRENGTH: >1000 VDC (Sea Level)

ENVIRONMENTAL PROPERTIES

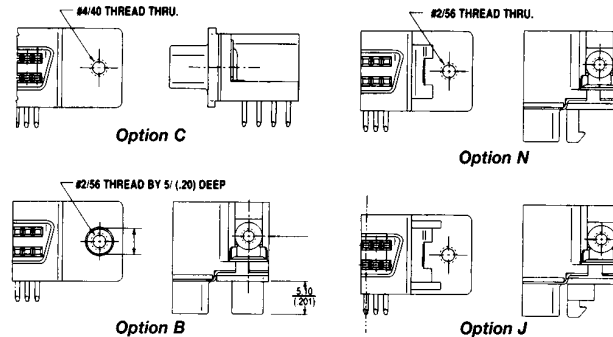
TEMPERATURE RATING: -55 C to 125 C

MOUNTING HARDWARE

FEMALE JACKSOCKET: 8700040001 (For mounting style C)



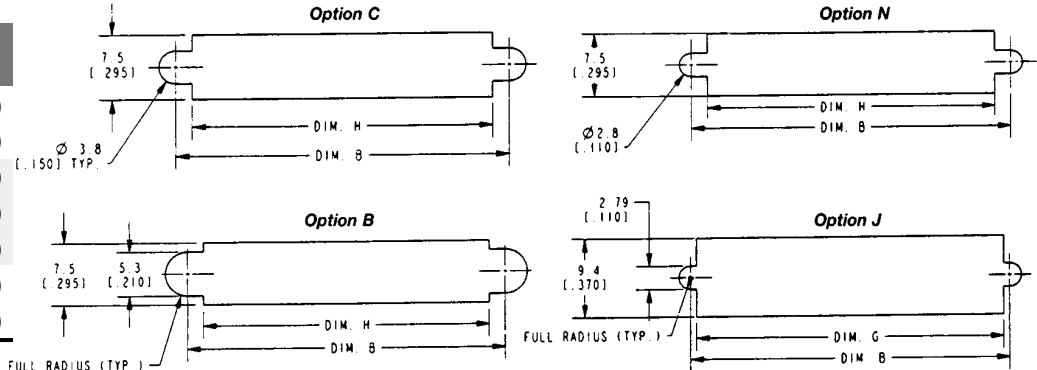
Panel Mounting Options



Panel Cut-Outs

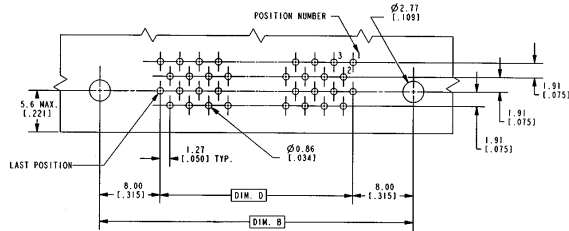
POS.	DIMENSIONS	
	G	H
26	29.8 (1.175)	27.6 (1.085)
40	38.7 (1.525)	36.5 (1.435)
50	45.1 (1.775)	42.8 (1.685)
68	56.5 (2.225)	54.2 (2.135)
80	64.1 (2.525)	61.8 (2.435)
100	76.8 (3.025)	74.5 (2.935)
120	89.5 (3.525)	87.2 (3.435)

Recommended Panel Cut-Outs

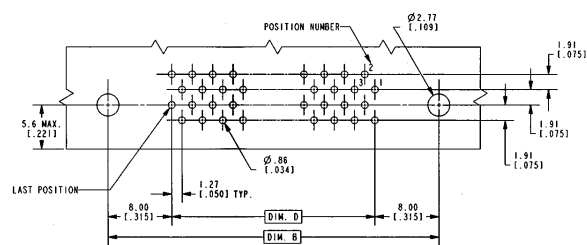


RECOMMENDED PRINTED CIRCUIT BOARD LAYOUTS

For 26 and 50 Position Parts



For 40, 68, 80, 100 and 120 Position Parts



Ordering Information

BULKHEAD MOUNTING STYLE	SIZE	DIMENSIONS					CATALOG NUMBER	
		A	B	C	D	E	2-56 PCB MOUNTING	GROUNDED SNAPLATCH
2-56 Stand-Off	26	37.2 (1.465)	31.2 (1.230)	19.5 (.766)	15.24 (.600)	27.1 (1.065)	HFR026RA29BX1	HFR026RA29BS1
4-40 Flush							HFR026RA29CX1	HFR026RA29CS1
2-56 Cable Latch with Rails							HFR026RA29JX1	HFR026RA29JS1
2-56 Cable Latch w/o Rails							HFR026RA29NX1	HFR026RA29NS1
2-56 Stand-Off	40	46.1 (1.815)	40.1 (1.580)	28.3 (1.116)	24.13 (.950)	35.9 (1.415)	HFR040RA29BX1	HFR040RA29BS1
4-40 Flush							HFR040RA29CX1	HFR040RA29CS1
2-56 Cable Latch with Rails							HFR040RA29JX1	HFR040RA29JS1
2-56 Cable Latch w/o Rails							HFR040RA29NX1	HFR040RA29NS1
2-56 Stand-Off	50	52.5 (2.065)	46.5 (1.830)	34.7 (1.366)	30.48 (1.200)	42.3 (1.665)	HFR050RA29BX1	HFR050RA29BS1
4-40 Flush							HFR050RA29CX1	HFR050RA29CS1
2-56 Cable Latch with Rails							HFR050RA29JX1	HFR050RA29JS1
2-56 Cable Latch w/o Rails							HFR050RA29NX1	HFR050RA29NS1
2-56 Stand-Off	68	63.9 (2.515)	57.9 (2.280)	46.1 (1.816)	41.91 (1.650)	53.7 (2.115)	HFR068RA29BX1	HFR068RA29BS1
4-40 Flush							HFR068RA29CX1	HFR068RA29CS1
2-56 Cable Latch with Rails							HFR068RA29JX1	HFR068RA29JS1
2-56 Cable Latch w/o Rails							HFR068RA29NX1	HFR068RA29NS1
2-56 Stand-Off	80	71.5 (2.815)	65.6 (2.580)	53.7 (2.116)	49.53 (1.950)	61.3 (2.415)	HFR080RA29BX1	HFR080RA29BS1
4-40 Flush							HFR080RA29CX1	HFR080RA29CS1
2-56 Cable Latch with Rails							HFR080RA29JX1	HFR080RA29JS1
2-56 Cable Latch w/o Rails							HFR080RA29NX1	HFR080RA29NS1
2-56 Stand-Off	100	84.2 (3.315)	78.2 (3.080)	66.4 (2.616)	62.23 (2.450)	74.0 (2.915)	HFR100RA29BX1	HFR100RA29BS1
4-40 Flush							HFR100RA29CX1	HFR100RA29CS1
2-56 Cable Latch with Rails							HFR100RA29JX1	HFR100RA29JS1
2-56 Cable Latch w/o Rails							HFR100RA29NX1	HFR100RA29NS1
2-56 Stand-Off	120	96.9 (3.815)	90.9 (3.580)	79.1 (3.116)	74.9 (2.950)	86.7 (3.415)	HFR120RA29BX1	HFR120RA29BS1
4-40 Flush							HFR120RA29CX1	HFR120RA29CS1
2-56 Cable Latch with Rails							HFR120RA29JX1	HFR120RA29JS1
2-56 Cable Latch w/o Rails							HFR120RA29NX1	HFR120RA29NS1

DUST COVER PART #: 311-068SM2DCB (5000 PER BAG)

DUST COVER PART #: 311-068SM2DC (200 PER BAG)