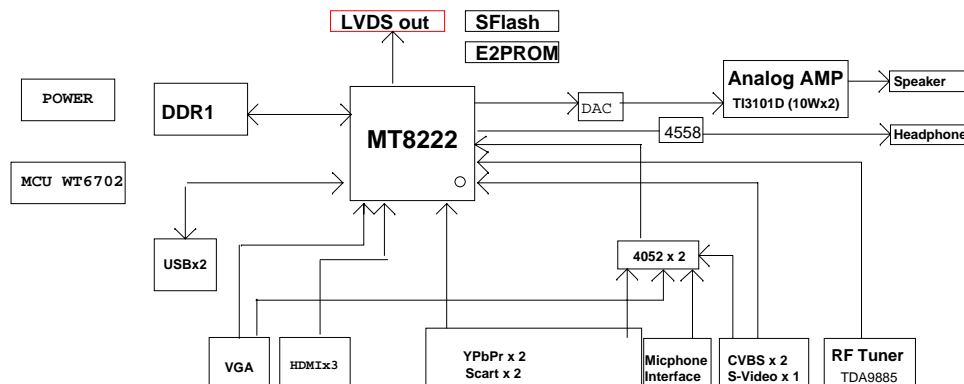


## MT8222\_P1V1 (DDR1) VERSION V1.0

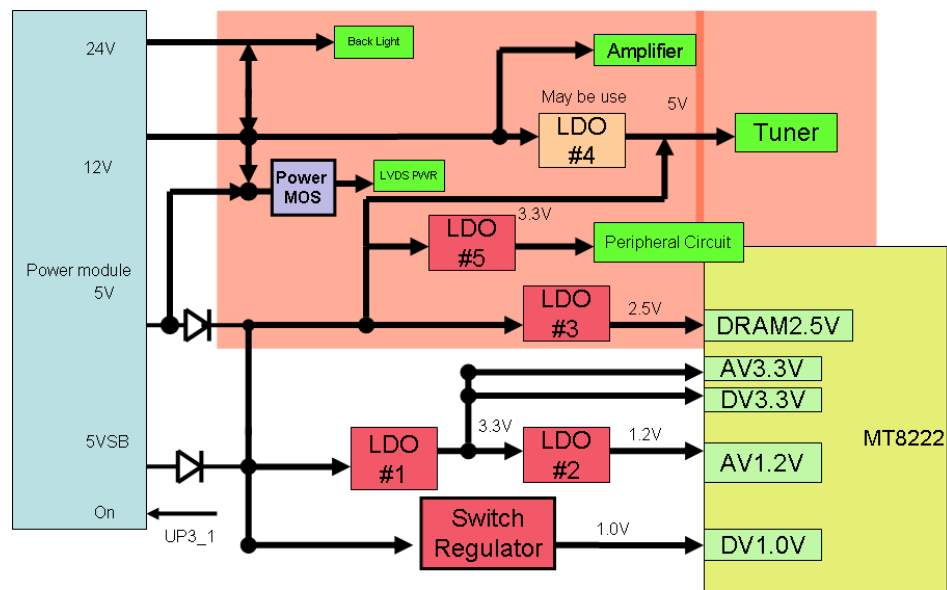
( DDR1 WITH TERMINATION )

### GPIO usage

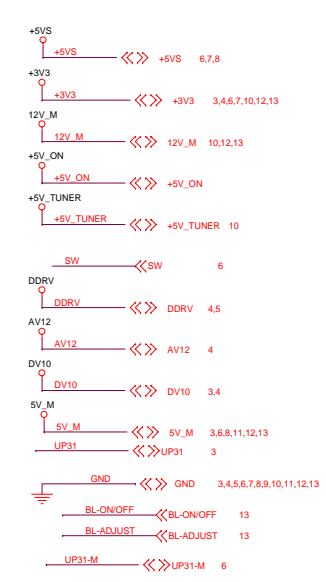
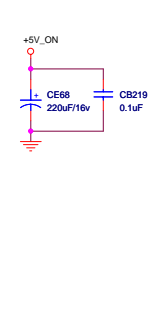
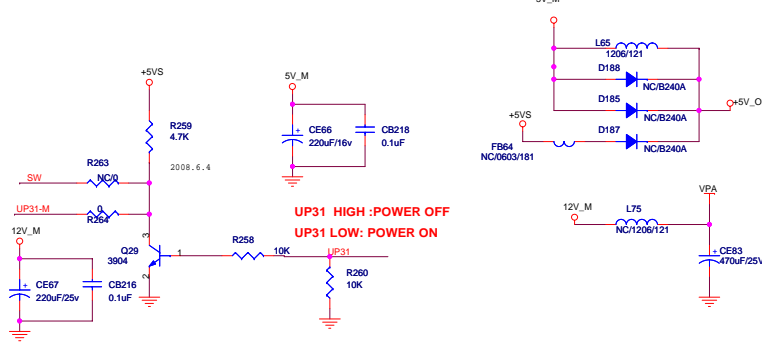
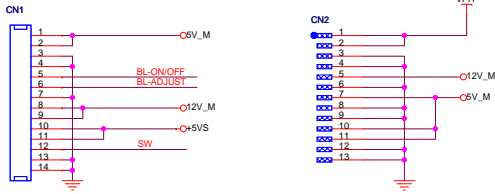
GPIO Definition	Function define
ADIN0	SCART FS
ADIN1	SCART FS
ADIN2	4052 SWITCH
ADIN3	KEYPAD
ADIN4	KEYPAD
ADIN5	HDMI/VGA EDID E2PROM WP
GPIO_20	Audio MUX
GPIO_21	AMP_MUTE CONTROL
GPIO_22	GAME
GPIO_23	GAME
GPIO_24	GAME
GPIO_25	GAME
PWM0	DIMMING CONTROL
PWM1	Power conversion to 33V
PWM2	SYSTEM E2PROM WP
PWM3	Audio MUX
UP30	BL ON/OFF CONTROL
UP31	NORMAL POWER ON/OFF
UP33	HDMI 0 HPLUG DETECT
UP34	HDMI 1 HPLUG DETECT
UP35	HDMI 2 HPLUG DETECT
GPIO_0	MICPHOTO RESERVE
GPIO_1	LVDS RESERVED
GPIO_2	FCI
GPIO_3	FCI
GPIO_4	LVDS POWER ON/OFF
GPIO_5	AMP_SD/FCI
GPIO_6	SCART1 VIDEO OUTPUT SW/FCI
GPIO_7	FCI
GPIO_8	FCI
GPIO_9	FCI
GPIO_10	FCI
GPIO_11	4052 SWITCH
INT	Audio MUX select bit 0
SPDIFIN	LVDS RESERVED
AOSDATA0	USB0 OC TAG
AOLRCK	USB0 PWR ENABLE
AOBCLK	USB1 PWR ENABLE
AOMCLK	USB1 OC TAG



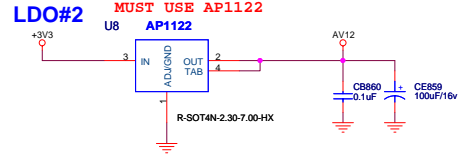
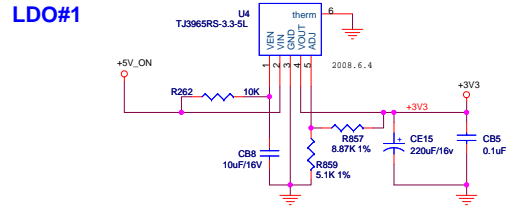
### Power Distribution



## MAIN POWER

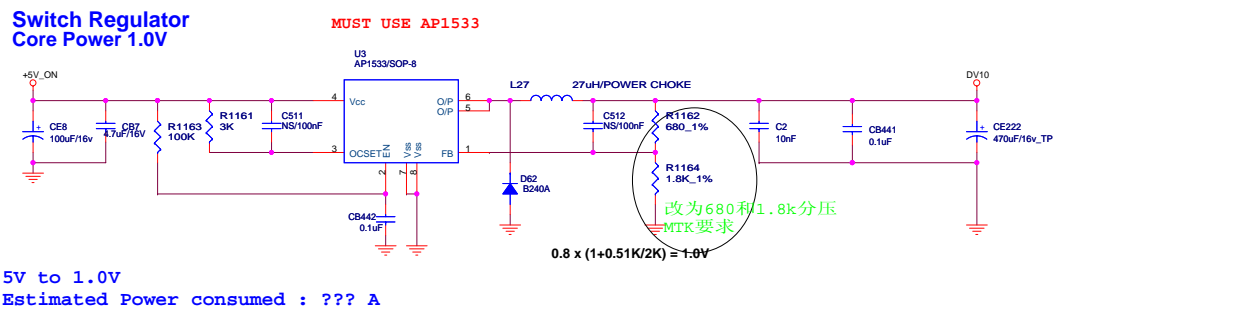
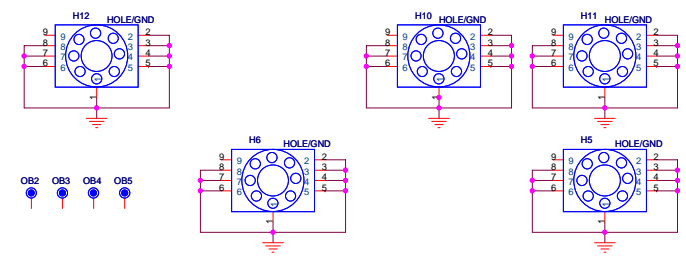
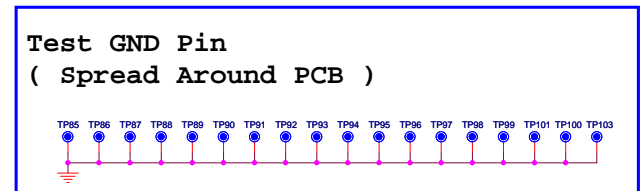


## Power for MT8222 only ( Always on )



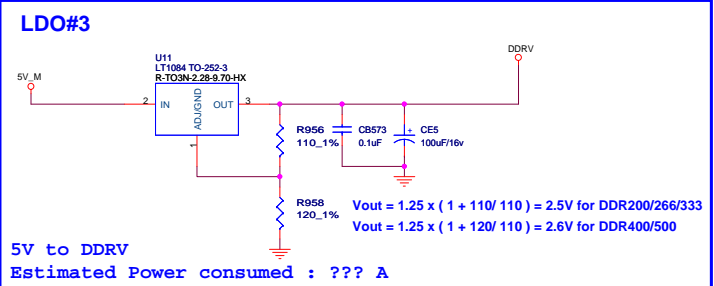
5V to 3.3V  
Estimated Power consumed : ??? A

3.3V to 1.2V  
Estimated Power consumed : ??? A

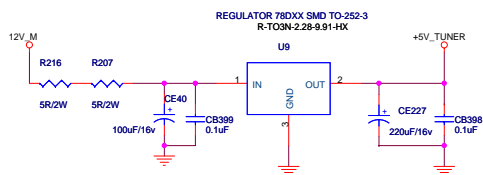


5V to 1.0V  
Estimated Power consumed : ??? A

## Works at normal mode



5V to DDRV  
Estimated Power consumed : ??? A



12V to 5V  
For Tuner 5V power

If use sdrn ,NC FB14  
If use ddr ,NC FB14

## 2、系统电源供电部分电路

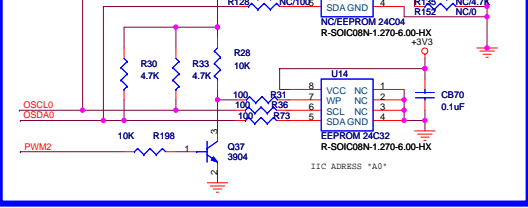




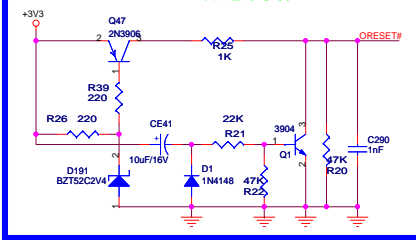


2008/05/05 MODIFY  
R25cC290 Near the 8222 place

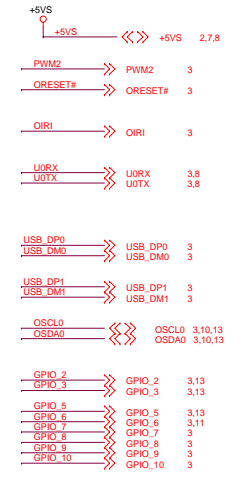
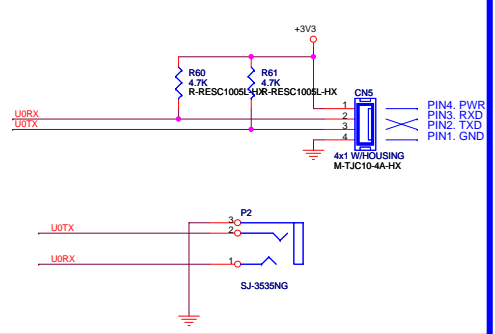
### System E2PROM



### System Reset# 上电和掉电都应该产生低电平复位。

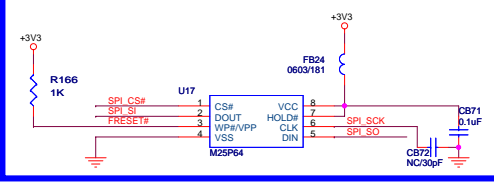


### 1st UART IF (For Code download and Debug)

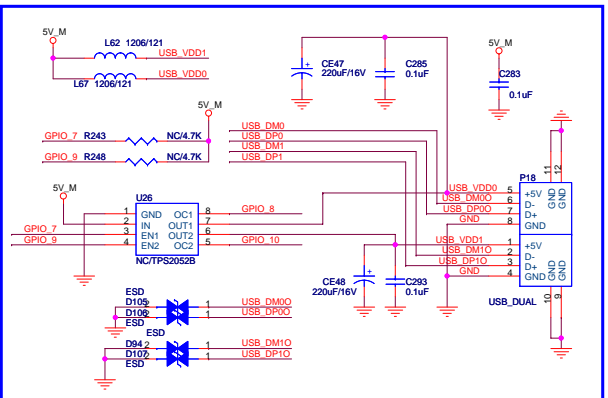
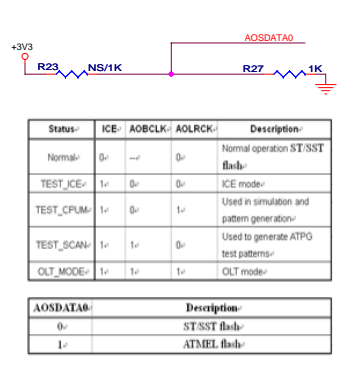


### Serial Flash

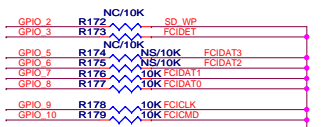
位置尽量靠近8222, 附近若有IO需要串磁珠并且避让, EMC问题



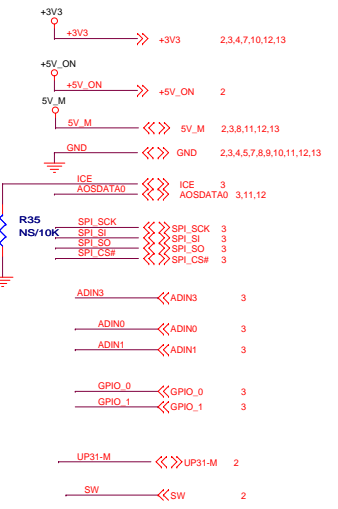
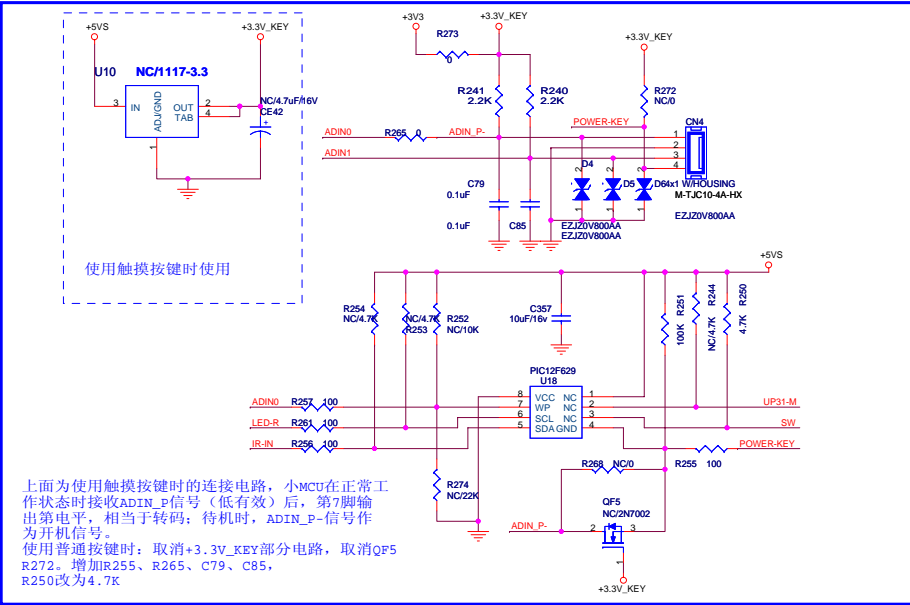
### MT8222 Trapping



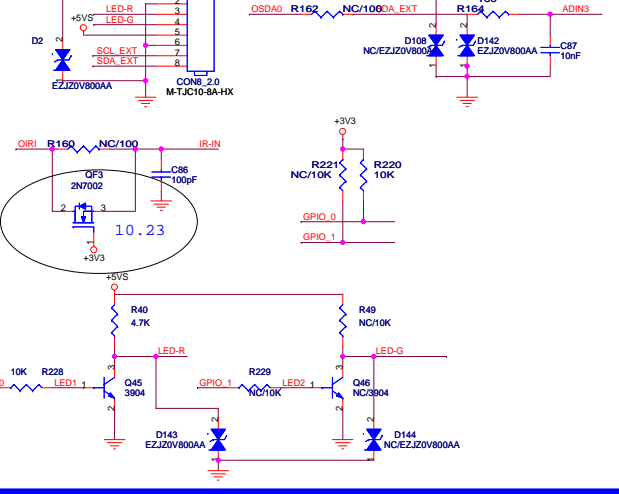
### MEMORY CARD I/F GPIO RESERVED



### ADC KEYPAD



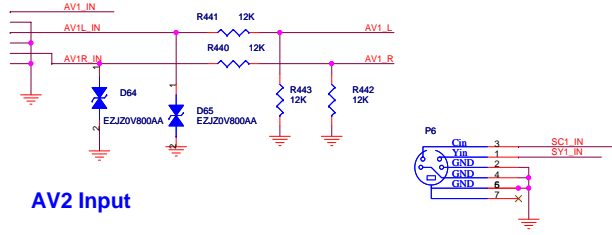
### IR



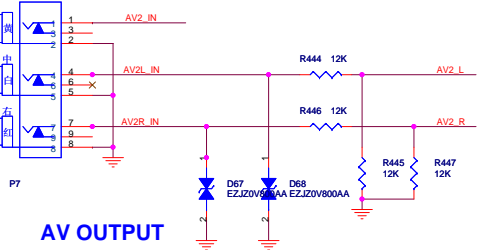


### AV1+S-Video1 Input

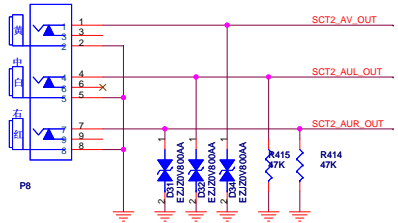
- AV1\_IN <<> AV1\_IN 9
- AV1L\_IN <<> AV1L\_IN 9
- AV1R\_IN <<> AV1R\_IN 9



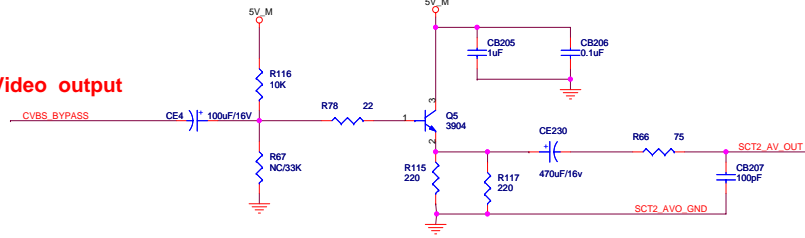
### AV2 Input



### AV OUTPUT

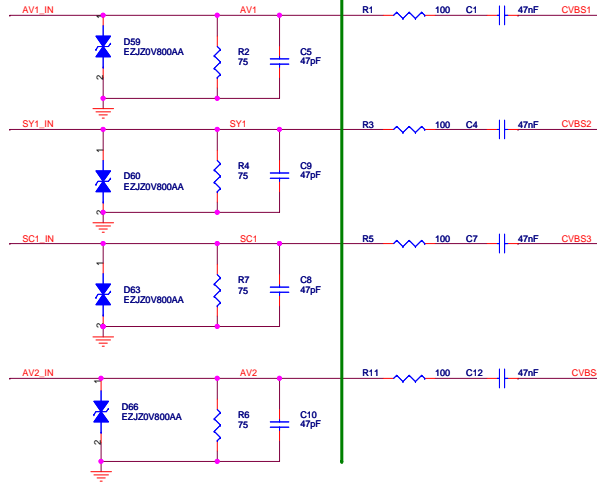


### Video output



### NEAR CONNECTOR

### NEAR IC



- CVBS1 <<> CVBS1 3
- CVBS2 <<> CVBS2 3
- CVBS3 <<> CVBS3 3
- CVBS4 <<> CVBS4 3

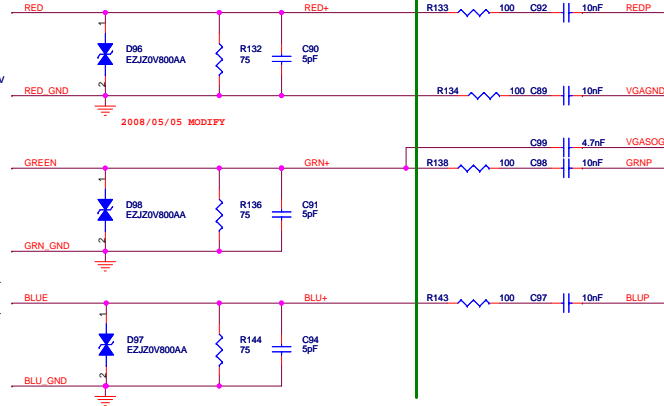
- GND <<> GND 2,3,4,5,6,7,9,10,11,12,13

- AV1\_L <<> AV1\_L 11
- AV1\_R <<> AV1\_R 11
- AV2\_L <<> AV2\_L 11
- AV2\_R <<> AV2\_R 11

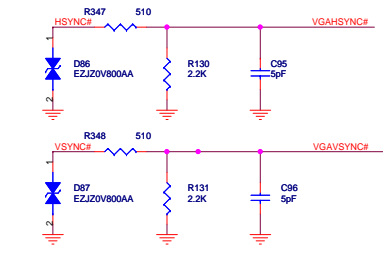
- +5VS <<> +5VS 2,6,7
- 5V\_M <<> 5V\_M 2,3,6,11,12,13
- SCT2\_AUR\_OUT <<> SCT2\_AUR\_OUT 12
- SCT2\_AUL\_OUT <<> SCT2\_AUL\_OUT 12
- CVBS\_BYPASS <<> CVBS\_BYPASS 3

### NEAR CONNECTOR

### NEAR IC



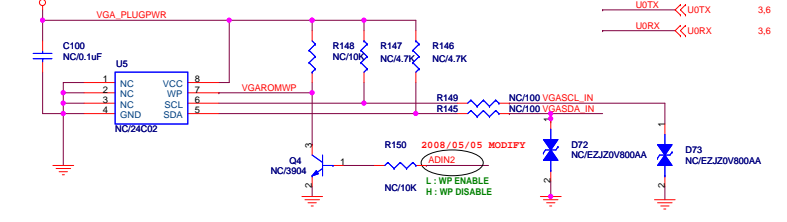
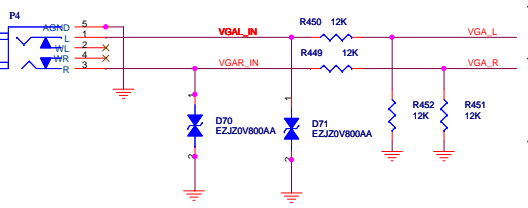
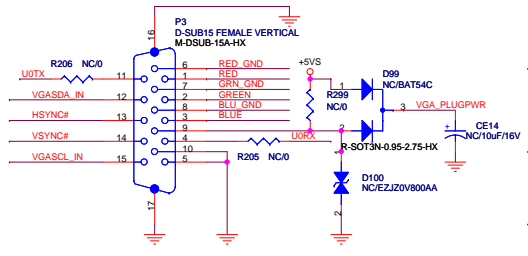
### 增加电容



- +5V\_ON <<> +5V\_ON 2
- VGASOG <<> VGASOG 3
- REDF <<> REDF 3
- VGAGND <<> VGAGND 3
- GRNP <<> GRNP 3
- BLUP <<> BLUP 3
- VGHSYNC# <<> VGHSYNC# 3
- VGAVSYNC# <<> VGAVSYNC# 3
- ADIN2 <<> ADIN2 3,7
- +3V3 <<> +3V3 2,3,4,6,7,10,12,13

- VGASCL\_IN <<> VGASCL 3
- VGASDA\_IN <<> VGASDA 3

- VGA\_L <<> VGA\_L 11
- VGA\_R <<> VGA\_R 11
- U0TX <<> U0TX 3,6
- U0RX <<> U0RX 3,6



## 8、AV/S端子/VGA接口及外围匹配网络部分电路

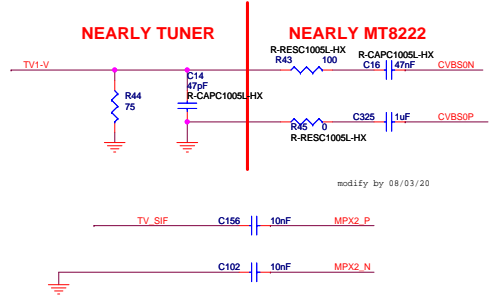
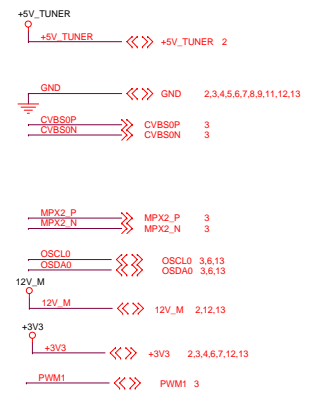
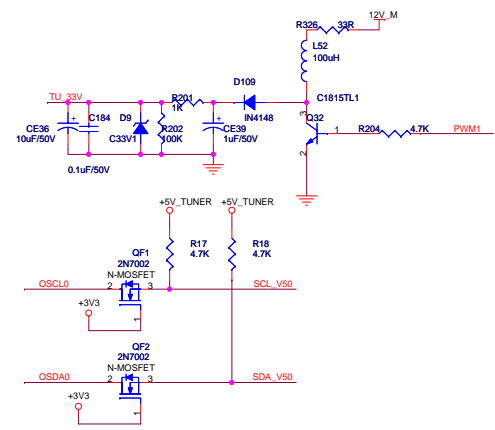
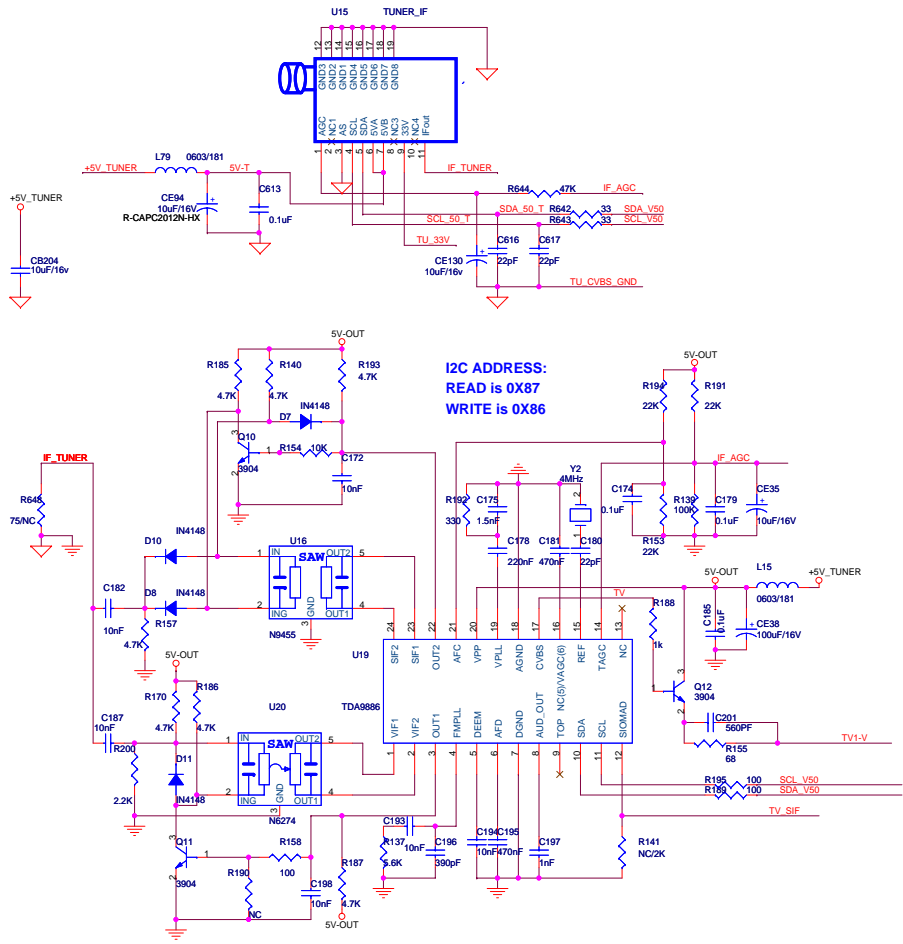
CVBS/ S-Video / VGA

HISENSE\_MT8222  
2009/11/25

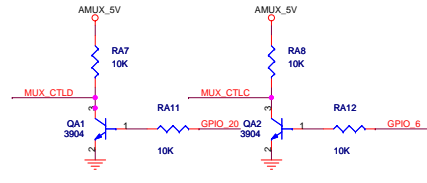
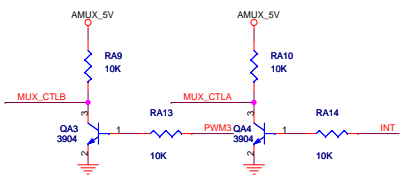
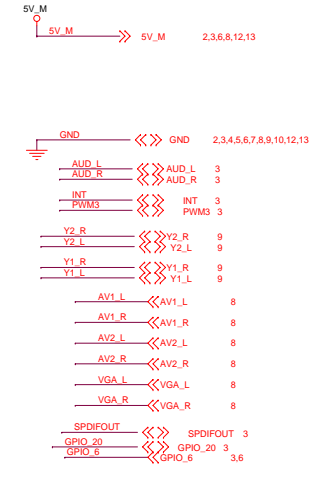
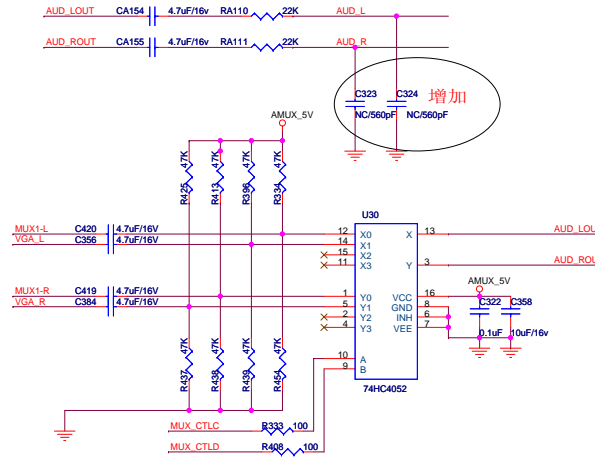
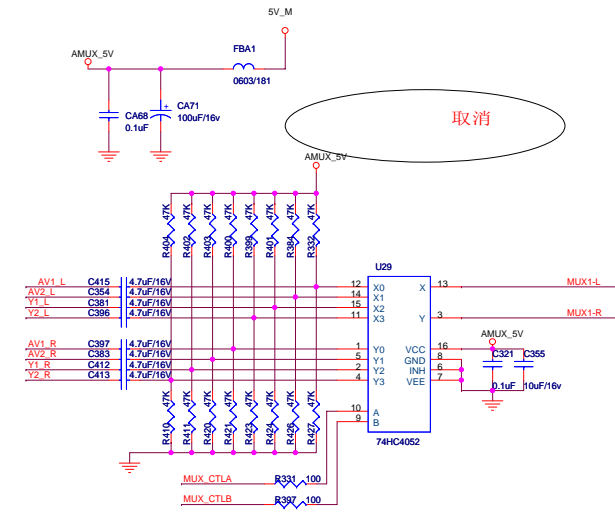
Jiu.Ni



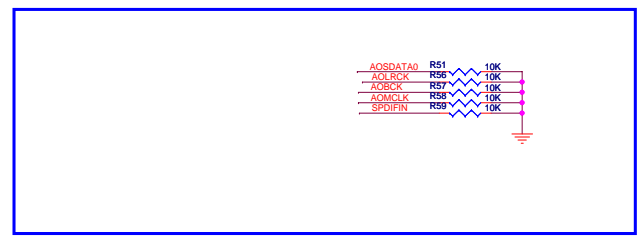
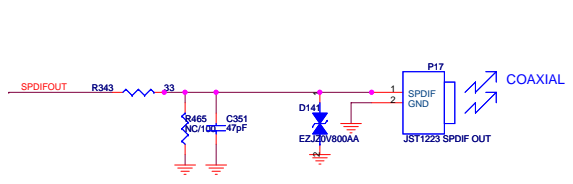




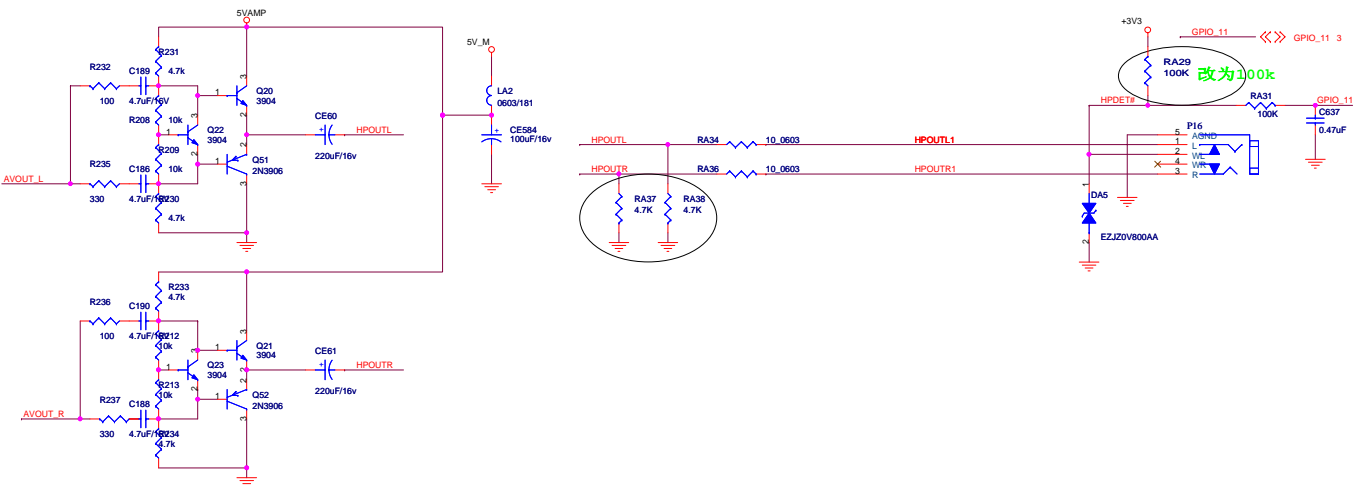
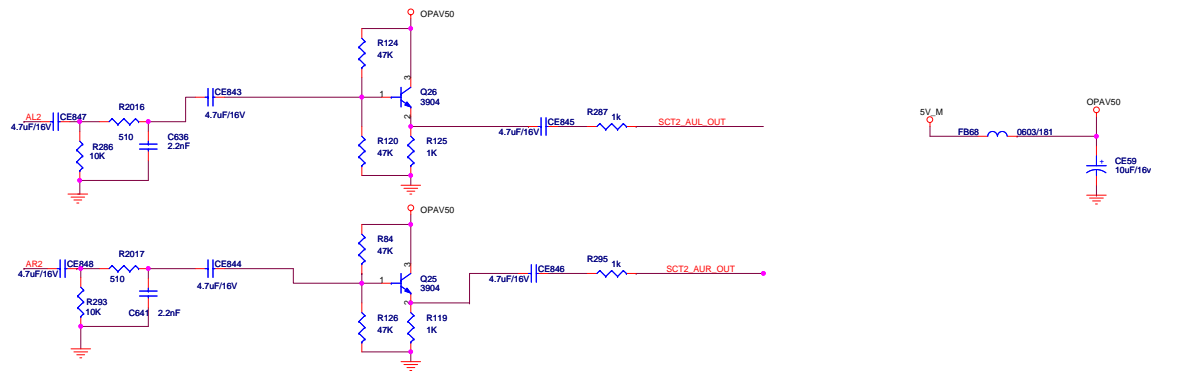
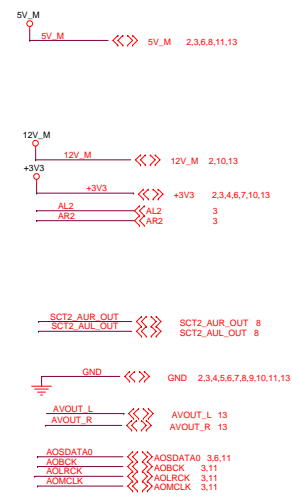
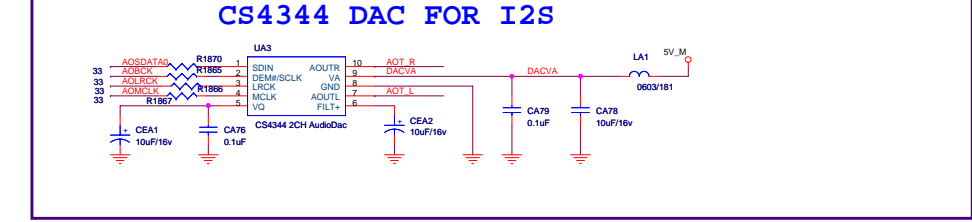
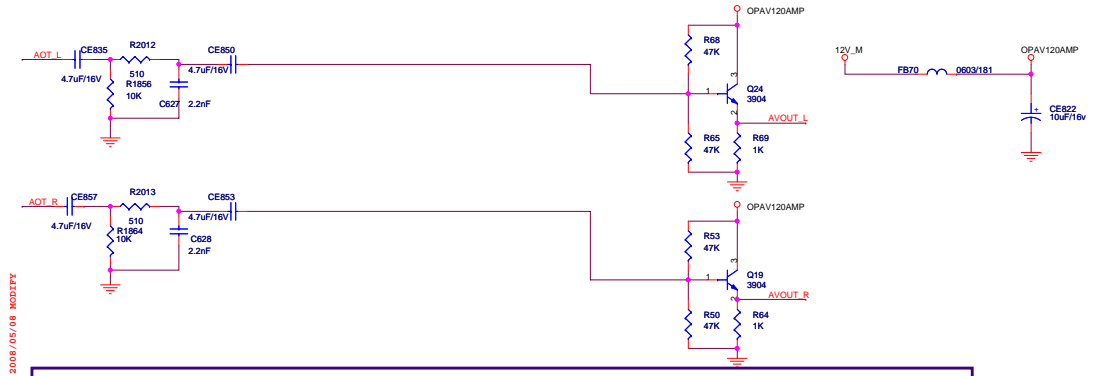
### 10、高频头及中放处理部分电路



PWM3	INT	GPIO_20	GPIO_6	AUDIO OUTPUT
1	1	1	1	AV1 OUT
1	0	1	1	AV2 OUT
0	1	1	1	YPBR1 OUT
0	0	1	1	YPBR2 OUT
X	X	1	0	VGA OUT
X	X	0	1	MICPHONE OUT
X	X	0	0	RESERVE



### 11、音频切换及光纤输出部分电路



## 12、HDMI 数字音频D/A转换及耳机输出部分电路

