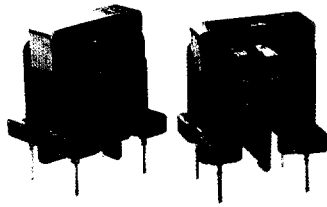


TFU 0904V Series



FEATURES

Excellent Attenuation Characteristics at Low Frequencies

Compact size, Large Inductance.

Employs UL-Recognized Heat-Resistant Insulation Material.

PRODUCT IDENTIFICATION

TFU 09 04 V-103-0.1A

Rated Current
Inductance : 1 mH
Vertical Type
Pin Number
Core size
Product Symbol

APPLICATIONS

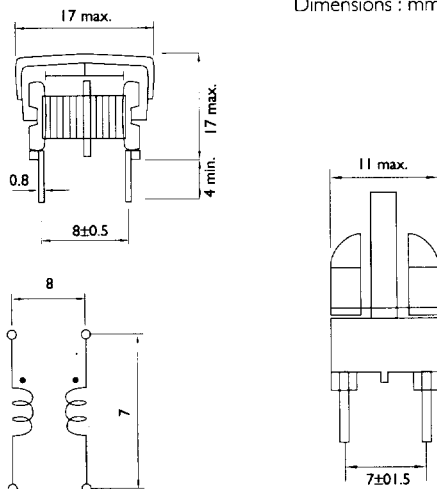
Prevents Noise emission.

Protects AC side from the affects of switching regulators.

Provides noise elimination and Immunity for TVs, VTRs/VCRs, audio equipments, etc.

SHAPE AND DIMENSIONS

Dimensions : mm



SPECIFICATIONS

MODEL	INDUCTANCE (mH) min.	RATED CURRENT (A)	DC RESISTANCE (Ω /line) max.
TFU0940V-103-0.1A	10	0.1	8.0
TFU0940V-820-0.2A	8	0.2	6.0
TFU0940V-502-0.3A	5	0.3	3.0
TFU0940V-302-0.5A	2	0.5	1.0
TFU0940V-102-0.7A	1	0.7	0.6
TFU0940V-501-1.0A	0.5	1.0	0.3

*Inductance Measurement Condition : 1KHz HP-4284A

*RDC : Milliohm Meter HP4338B

Note : Custom-Made Coils With Different Inductance and Rated Current Available on Request.